

SHANA FLOOR LAMP

URBAN OUTFITTERS

Assembly Instructions

Use a 60W (MAX) A type incandescent bulb or 13W CFL type bulb.

(Do not use bulb that exceeds recommended wattage)

IMPORTANT SAFETY INSTRUCTIONS:

This portable lamp has a polarized plug (one blade is wider than the other) as a safety feature to reduce the risk of electric shock. This plug will fit in a polarized outlet only one way. If the plug does not fit fully in the outlet, reverse the plug. If it still does not fit, contact a qualified electrician. Never use with an extension cord unless plug can be fully and easily inserted. Do not alter the plug.

Do not throw away packing materials and carton until after assembly.

Assemble all parts on a clean smooth surface

CLEANING: Use only soft cloth to dust and clean fixture, never use chemicals or abrasive cleaners as it may damage finish.

NOTE: Turn the power off (unplug from the wall outlet) before replacing the bulb. Make sure the bulb has sufficient time to cool down. Do not subject to the lamp to any shock while lit as shattering of lamp may result.

PARTS INCLUDED



(A) Socket Ring 1xx



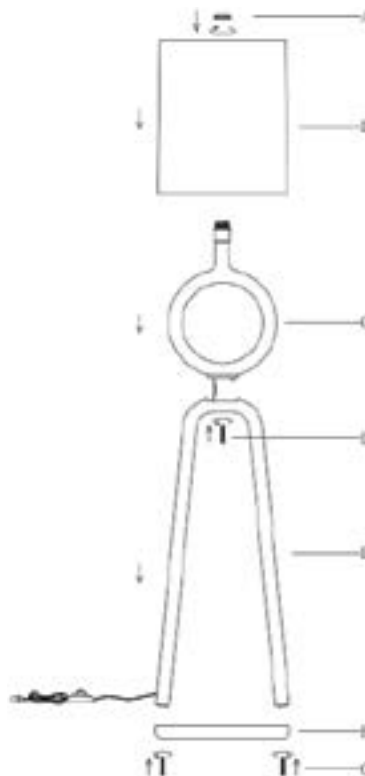
(B) Shade 1x



(E) Lamp Body 1x



(F) Circle Base 1x



SHANA FLOOR LAMP

URBAN OUTFITTERS

Assembly Instructions

1. Use two screws (G) to secure the circle base (F) onto the lamp body (E).
2. Also secure the middle part(C) onto the lamp body (E).
3. Attach shade (B) to the socket, then secure with socket ring (A).
4. Place bulb (not included) into socket.
5. Plug into outlet, turn on switch, and enjoy your new lamp.

