

# LILY NIGHT STAND

URBAN OUTFITTERS

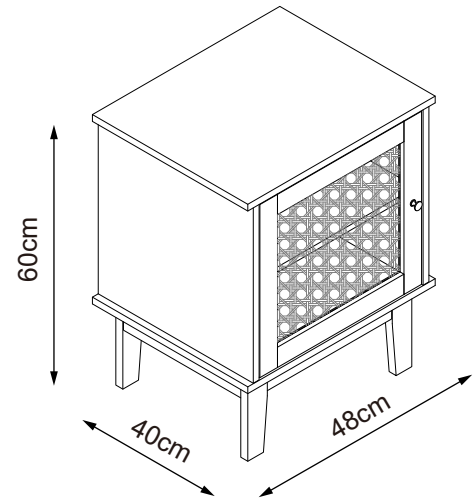
## Assembly Instructions

### TOOLS REQUIRED BUT NOT INCLUDED:

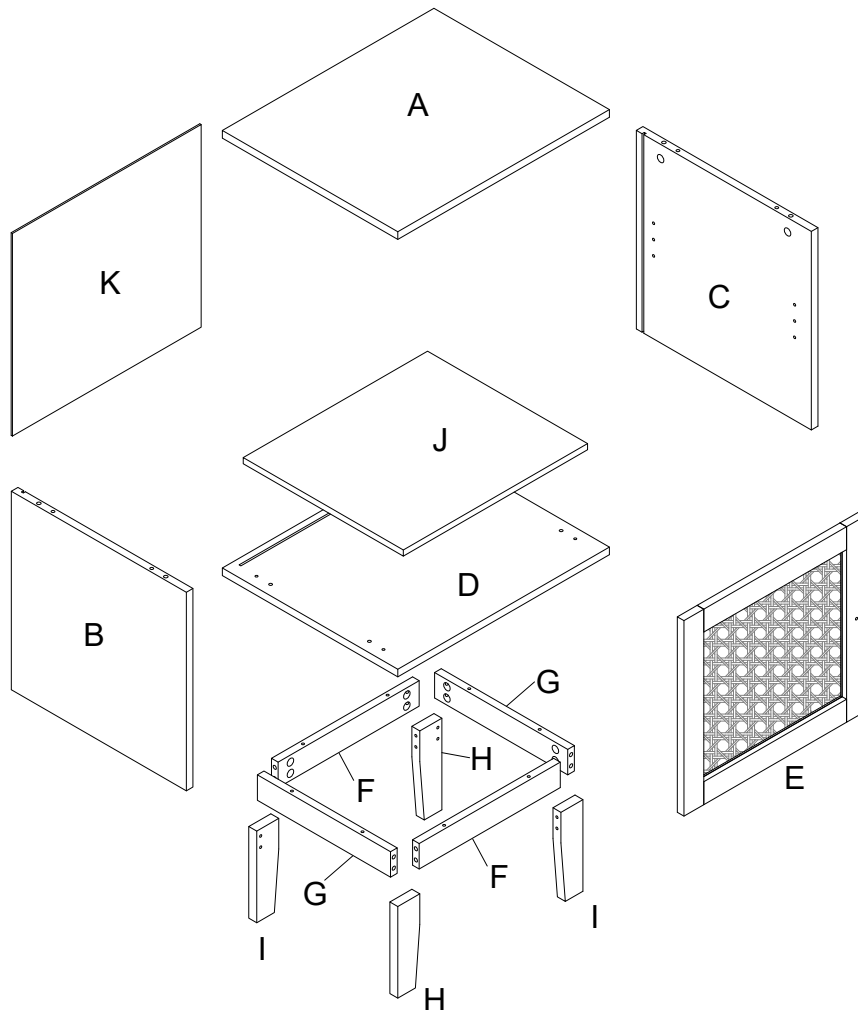
Do not throw away packing materials and carton until after assembly.  
Assemble all parts on a clean smooth surface

### CARE INSTRUCTIONS:

Avoid direct exposure to sunlight. Do not place over heat or Air conditioning vents.  
Adjust levelers so that the furniture sits flat on uneven floors.  
Blot spills do not rub, with a clean white cloth.  
Do not use harsh chemicals.  
Before cleaning any part test a small spot in a hidden area.  
You may need to re-tighten all bolts after initial use.



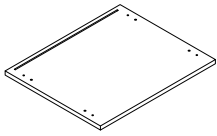
### PARTS INCLUDED



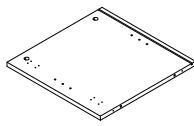
# LILY NIGHT STAND

URBAN OUTFITTERS

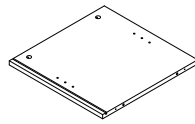
## Assembly Instructions



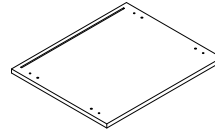
AX1



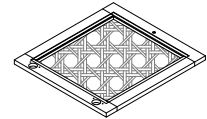
BX1



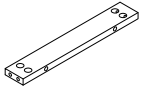
CX1



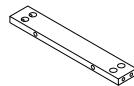
DX1



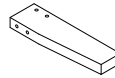
EX1



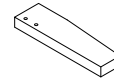
FX2



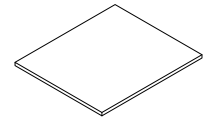
GX2



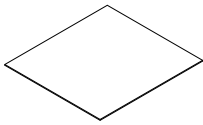
HX2



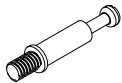
IX2



JX1



KX1



(a) Cam bolt  
[M6x35mm] x20pcs



(b) Cam lock  
[M15x9mm] x20pcs



(c) Wooden Dowel  
[Ø6x30mm] x8pcs



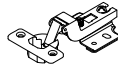
(d) Screw  
[M4x40mm] x12pcs



(e) Handle  
x1pc



(f) Bolt  
[M4x16mm] x1pc



(g) Hinge  
x2pcs



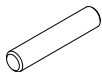
(h) Screw  
[M4x14mm] x12pcs



(i) Wedge  
x4pcs



(j) Screw  
[M3x14mm] x4pcs



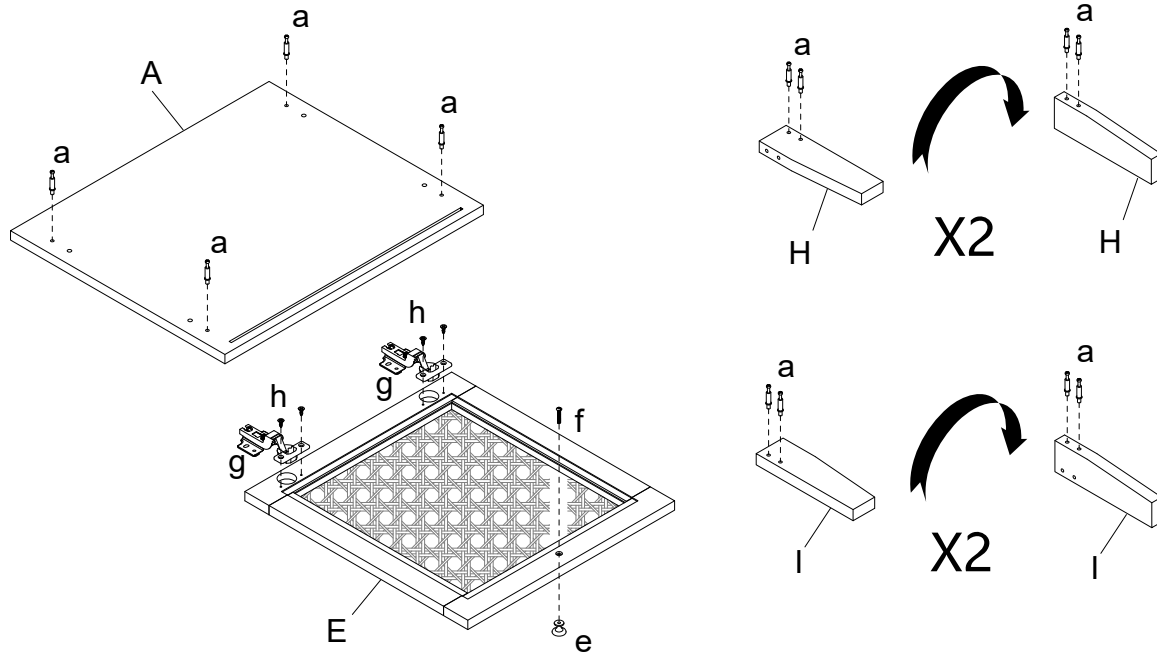
(k) Shelf Holder  
[Ø4x25mm] x4pcs

# LILY NIGHT STAND

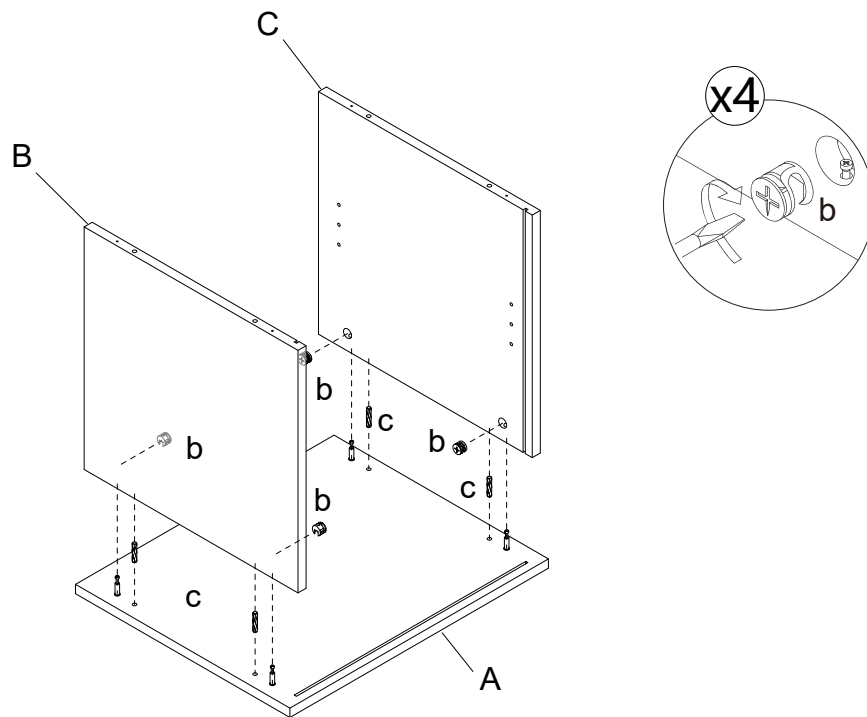
URBAN OUTFITTERS

## Assembly Instructions

### STEP 1



### STEP 2

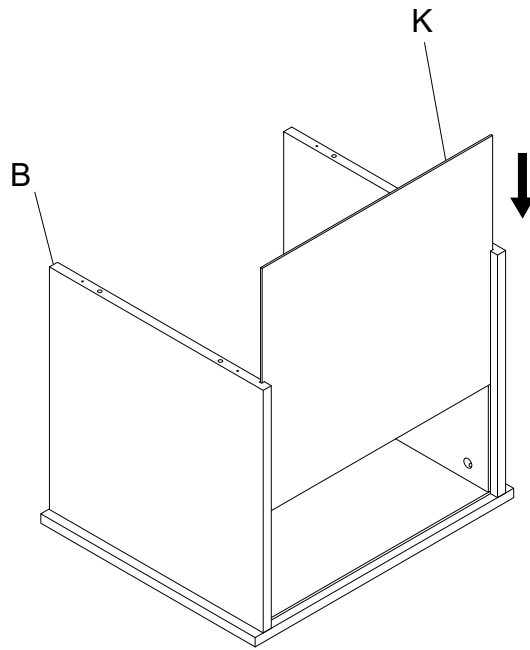


# LILY NIGHT STAND

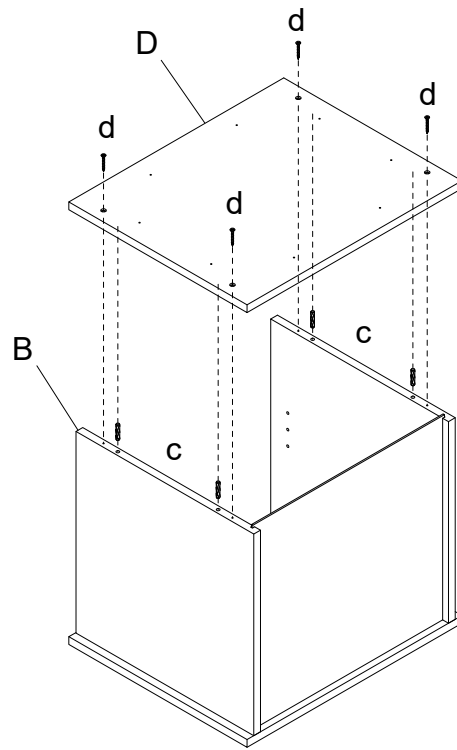
Assembly Instructions

URBAN OUTFITTERS

## STEP 3



## STEP 4

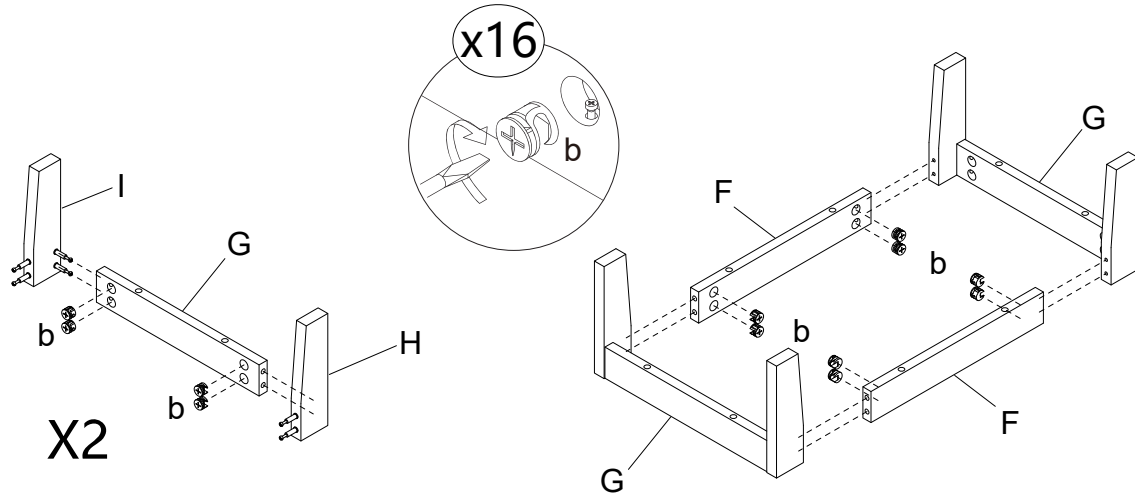


# LILY NIGHT STAND

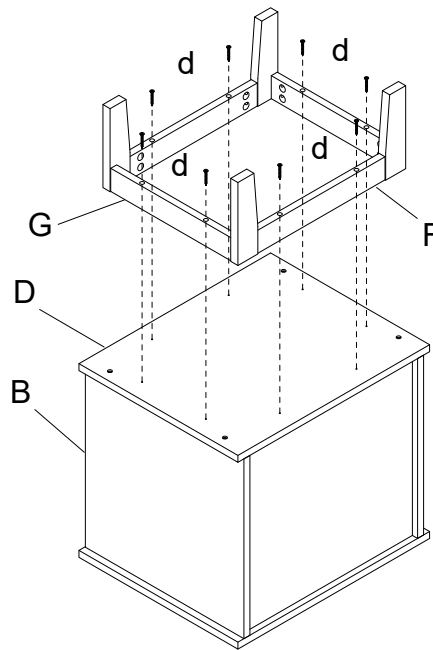
URBAN OUTFITTERS

## Assembly Instructions

### STEP 5



### STEP 6

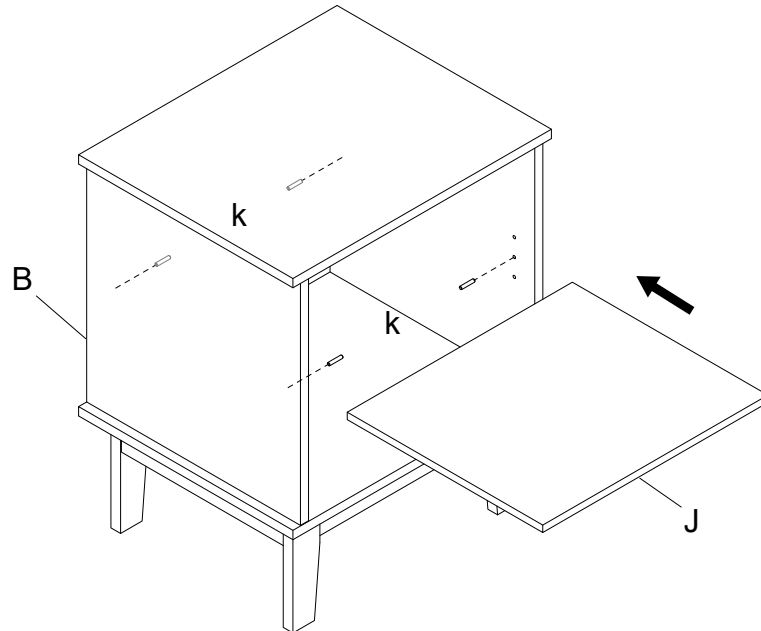


# LILY NIGHT STAND

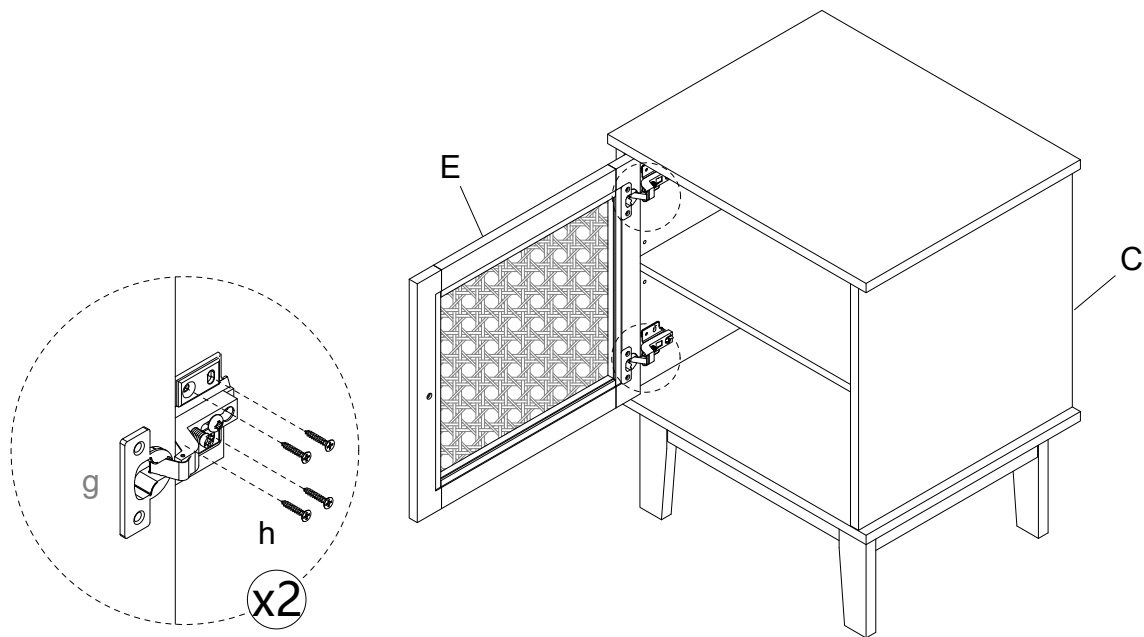
URBAN OUTFITTERS

Assembly Instructions

## STEP 7



## STEP 8



# LILY NIGHT STAND

URBAN OUTFITTERS

## Assembly Instructions

---

### STEP 9

