

# ACRYLIC PETUNIA SIDE TABLE

URBAN OUTFITTERS

## Assembly Instructions

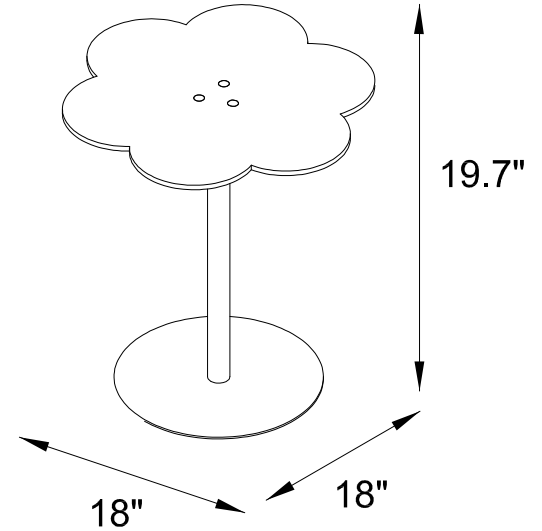
TOOLS REQUIRED BUT NOT INCLUDED: NONE

### WARNINGS:

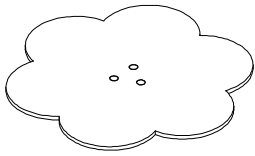
At least two people recommended for assembly  
Do not throw away packing materials and carton until after assembly.  
Ensure all parts are present prior to assembly.  
Contact customer service immediately if parts are missing  
Assemble all parts on a clean smooth surface.

### CARE INSTRUCTIONS:

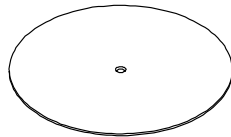
Avoid direct exposure to sunlight.  
Do not place overheat or air conditioning vents.  
Adjust levelers so that the furniture sits flat on uneven floors.  
Blot spills do not rub, with a clean white cloth.  
Do not use harsh chemicals.  
Before cleaning any part test a small spot in a hidden area.  
You may need to re-tighten all bolts after initial use.



## PARTS INCLUDED



A) Acrylic Table Top



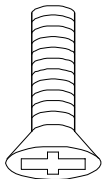
B) Metal Base



C) Middle Post



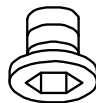
D) Eva Foam Pads x4



E) Bolt [M8x30mm] x3



F) T-Nut x3



G) Bolt [1/4"x16mm] x3



H) Allen Key

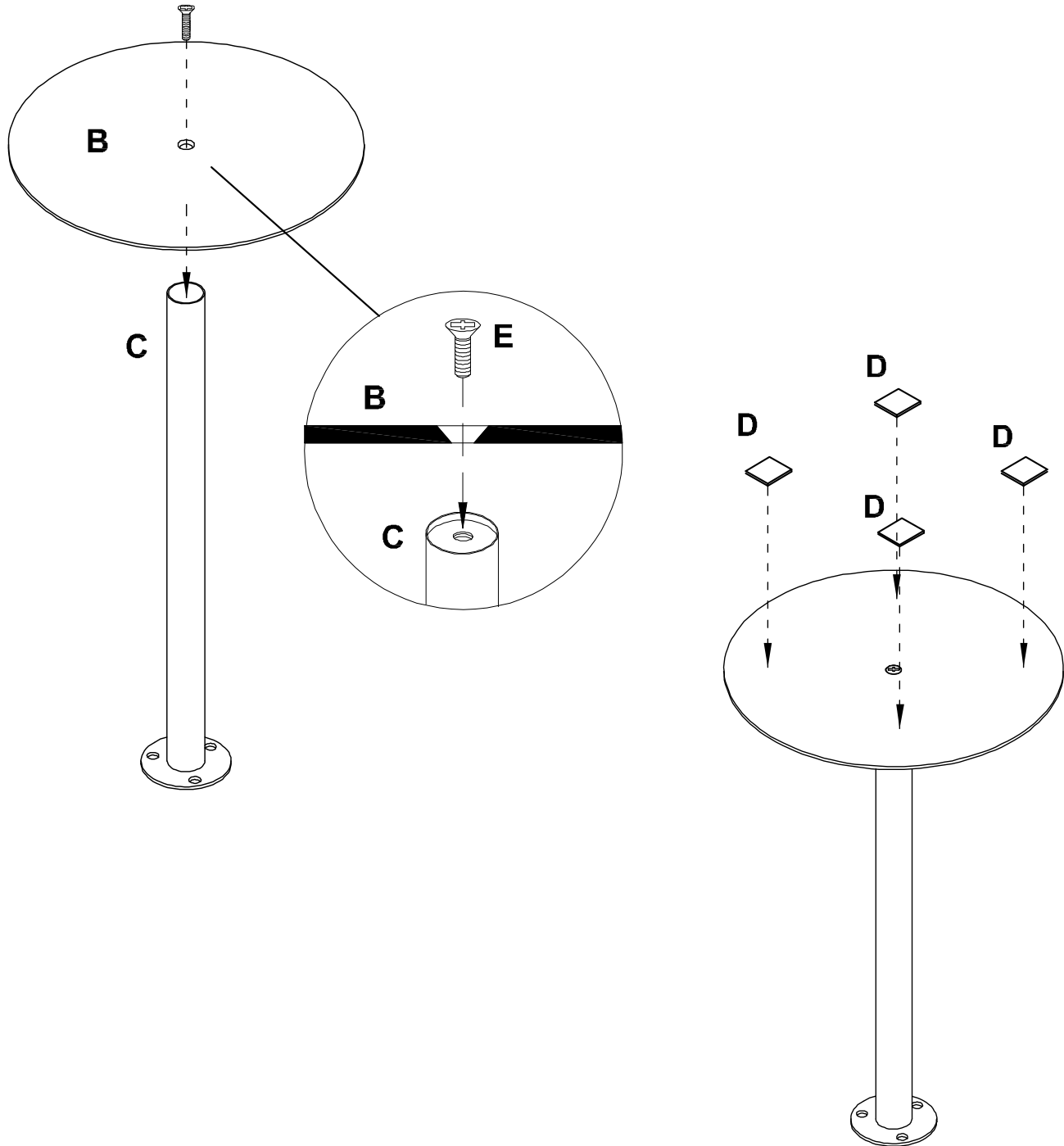


I) Washer x3

## Assembly Instructions

### STEP 1

Align metal base (B) and middle post (C). Insert bolts (E) and tighten with Allen key. Place eva foam pads (D) on the bottom of metal base (B).



## Assembly Instructions

### STEP 2

Align metal base with table top (A). Insert T-nuts (F) then, insert bolts (G) with washer (I) and partially tighten with Allen key (H). Once all bolts are inserted and partially tightened, fully tighten the bolts.

