

Camille Shelf

Assembly Instructions

URBAN OUTFITTERS

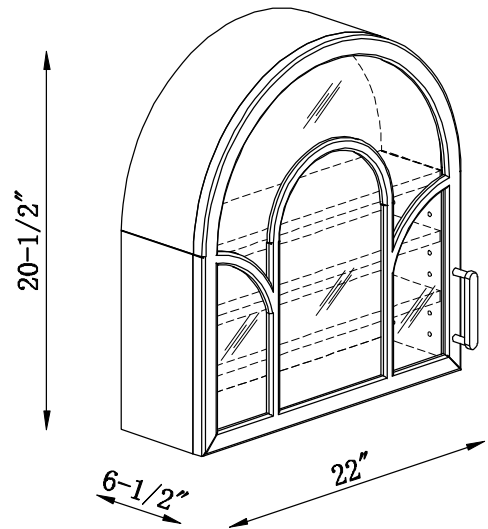
TOOLS REQUIRED BUT NOT INCLUDED:
Phillips head screwdriver, Pencil, Level

WARNINGS:

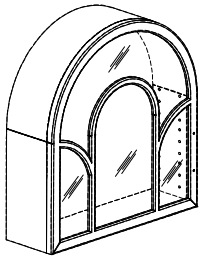
Do not throw away packing materials and carton until after assembly.
Ensure all parts are present prior to assembly.
Contact customer service immediately if parts are missing.
Assemble all parts on a clean smooth surface.

CARE INSTRUCTIONS:

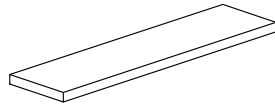
Avoid direct exposure to sunlight.
Do not place over heat or air conditioning vents.
Adjust levelers so that the furniture sits flat on uneven floors.
Blot spills with a clean white cloth, do not rub.
Do not use harsh chemicals.
Before cleaning any part test a small spot in a hidden area.
Do not over-tighten the parts.
The parts may loosen after initial use; re-tighten as necessary.



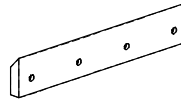
PARTS INCLUDED:



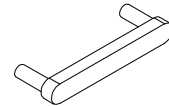
(A) Shelf
x1



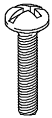
(B) Shelves
x3



(C) Cleat
x1



(D) Handle
x1



(E) Bolt
[5/32" x 25mm] x2



(F) Shelf pin
x12



(G) Screw
[Φ3.5 x 12mm] x12



(H) Wall Anchor
x4



(I) Machine screw
x4

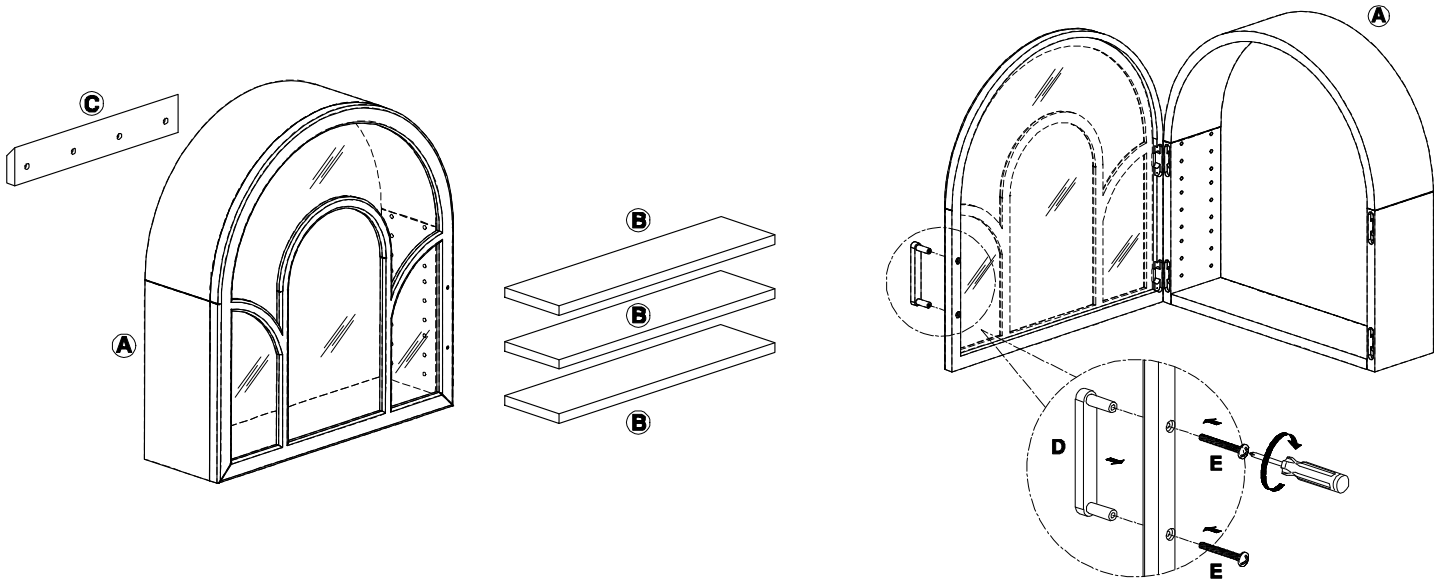
Camille Shelf

Assembly Instructions

URBAN OUTFITTERS

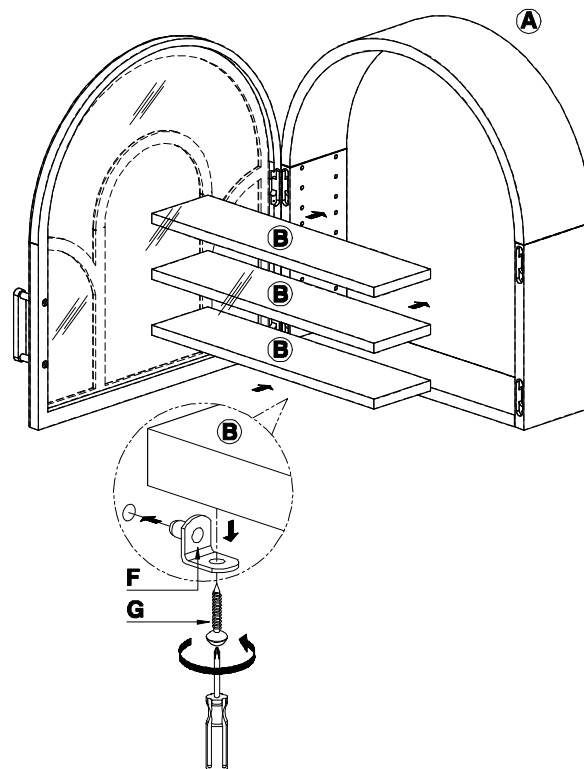
STEP 1

With help lay the parts out onto a clean smooth surface such as carpet or cardboard. Align the handle (D) to the door and insert the screws (E) through the back of the door into the handle (D). Tighten the screws (E) with a Philips head screwdriver or drill, do not over-tighten.



STEP 2

Insert the shelf pins (F) into the shelf (A) and press firmly into place. Place the shelves (B) onto the shelf pins. Use the screws (G) as shown to fix the shelf in place if desired.



Camille Shelf

Assembly Instructions

URBAN OUTFITTERS

STEP 3

Determine the position of the shelf (A) on the wall. Use the below diagram to place the cleat (B) on the wall accordingly. Ensure the cleat (B) is level.

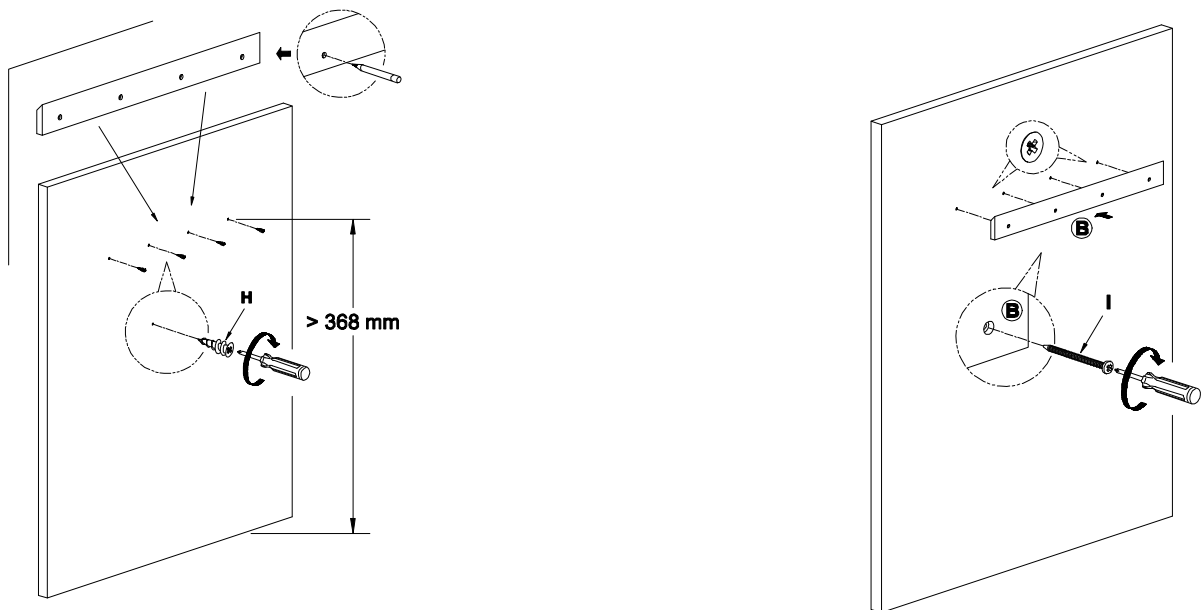
Wood or Stud installation:

Insert the screws (I) through the cleat (B) into the wall. Tighten the screws (I) with a Phillips head screwdriver, one at a time. Do not over-tighten.

Drywall installation:

Use a pencil to mark the location of the screw holes on the wall. Insert anchors (H) into the wall at the marked locations using a drill or Phillips head screwdriver. Place the cleat (B) on the wall aligning the holes in the cleat with the anchors (H) in the wall. Insert screws (I) through cleat (B) and into the anchors (H), then tighten with a Phillips head screwdriver, one at a time. Do not over-tighten.

The included hardware is intended for attachment to drywall or wooden studs within walls, contact your local hardware store to find the correct anchor for alternative wall-types such as stone or brick.



STEP 4

With help, hang the shelf (A) onto the cleat (B).

