

# Chuck Low Dresser

URBAN OUTFITTERS

## Assembly Instructions

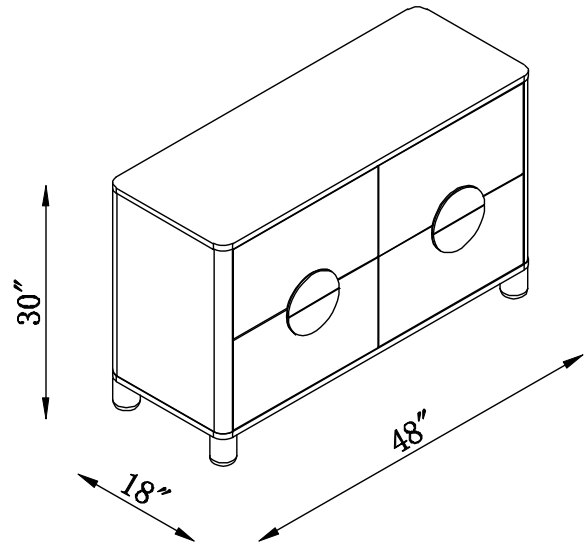
TOOLS REQUIRED BUT NOT INCLUDED:  
Phillips head screwdriver, Pencil

### WARNINGS:

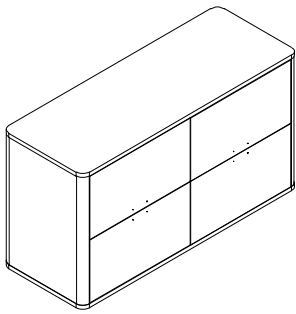
Do not throw away packing materials and carton until after assembly.  
Ensure all parts are present prior to assembly.  
Contact customer service immediately if parts are missing.  
Assemble all parts on a clean smooth surface.  
Anti-Tip Hardware must be in place to ensure safety from tipping.

### CARE INSTRUCTIONS:

Avoid direct exposure to sunlight.  
Do not place over heat or air conditioning vents.  
Adjust levelers so that the furniture sits flat on uneven floors.  
Blot spills with a clean white cloth, do not rub.  
Do not use harsh chemicals.  
Before cleaning any part test a small spot in a hidden area.  
You may need to re-tighten all bolts after initial use.



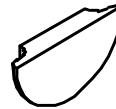
### PARTS INCLUDED:



(A) Dresser  
x1



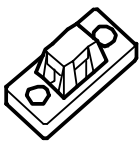
(B) Leg  
x4



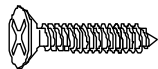
(C) Drawer pull  
x4



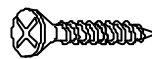
(D) Nylon strip  
x1



(E) Bracket  
x2



(F) Screw  
[M3 x 19mm] x2



(G) Screw  
[M3 x 19mm] x2

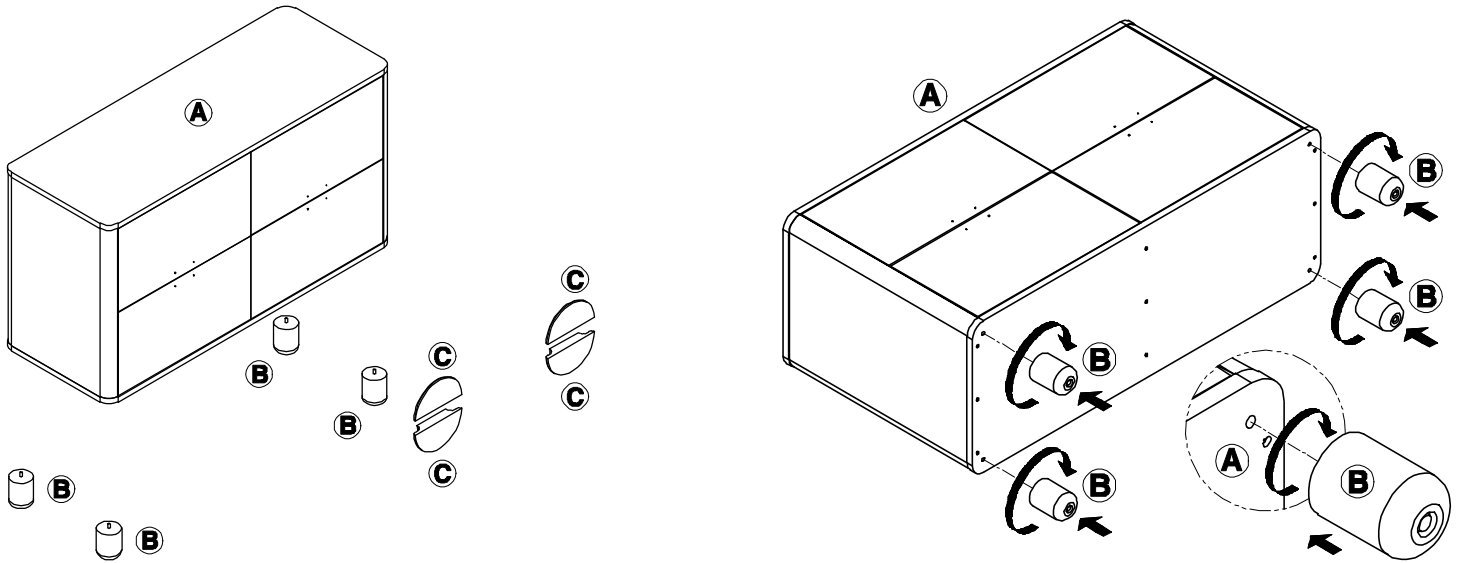
# Chuck Low Dresser

URBAN OUTFITTERS

## Assembly Instructions

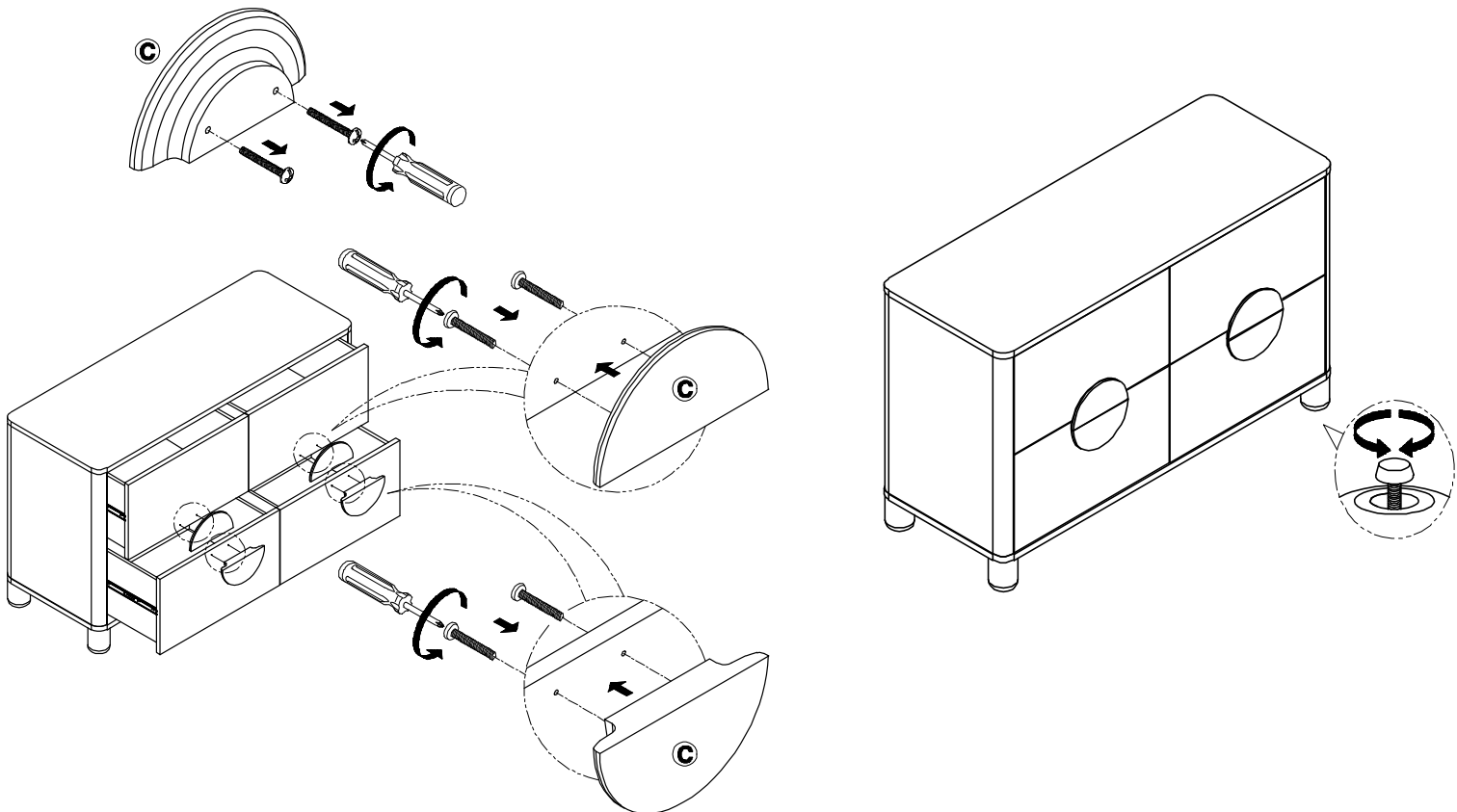
### STEP 1

Lay the parts out onto a clean smooth surface such as carpet or cardboard. Screw the legs (B) into the dresser (A) clockwise until tight. With help stand the dresser upright making sure you do not lean it on its legs.



### STEP 2

Unscrew the drawer pull (C) from the inside of the drawer with a philips head screwdriver (not included). Then, re-attach the drawer pull (C) to the front of the drawer as shown below. Do not over tighten. Turn the adjustable feet so the dresser sits flat on the ground.



## Assembly Instructions

### STEP 3

- A) Align the bracket (E) to the top back of the dresser as shown. Insert screws (G) and tighten with a Phillips head screwdriver (not included). Place the second bracket (E) against the wall directly behind the dresser and mark the location.
- B) Wood or Stud installation:  
Insert the screw (F) through the second bracket (E). Then, use a Phillips head screwdriver to fasten the screws (F) directly into the wall at the marked location.

#### Drywall installation:

**Contact your local hardware store to source the correct anchor for your wall, use any screws included with wall anchor kits to attach anti-tip kit brackets to the wall.** Insert the wall anchors into the wall at the marked locations. Insert the screws (F) through the second bracket (E) and into the anchors, then tighten with a Phillips head screwdriver (not included).

- C) Place the dresser against the wall aligning the brackets (E), then run the Strap (D) through both brackets (E) and pull it tight to secure the dresser.

