

Mason Kitchen Island

URBAN OUTFITTERS

Assembly Instructions

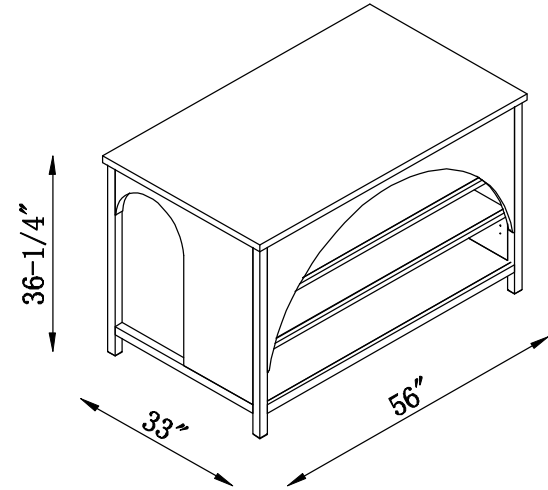
TOOLS REQUIRED BUT NOT INCLUDED:
Phillips head screwdriver

WARNINGS:

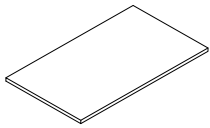
Do not throw away packing materials and carton until after assembly. Ensure all parts are present prior to assembly. Contact customer service immediately if parts are missing. Assemble all parts on a clean smooth surface. Do not over tighten bolts!

CARE INSTRUCTIONS:

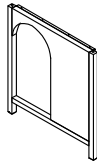
Avoid direct exposure to sunlight. Do not place over heat or air conditioning vents. Adjust levelers so that the furniture sits flat on uneven floors. Blot spills with a clean white cloth, do not rub. Do not use harsh chemicals. Before cleaning any part test a small spot in a hidden area. You may need to re-tighten all bolts after initial use.



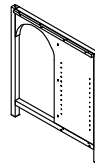
PARTS INCLUDED:



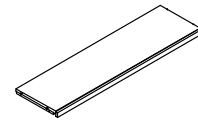
(A) Table Top
x1



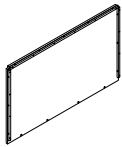
(B) Side Panel
x1



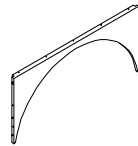
(C) Side Panel
x1



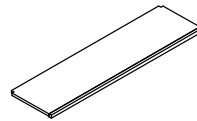
(D) Bottom Shelf
x1



(E) Panel Frame
x1



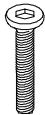
(F) Panel Frame
x1



(G) Shelf
x2



(H) Hex Key
x1



(I) Bolt
[M6 x 25mm] x32



(J) Spring Washer
[M6] x32



(K) Flat Washer
[M6] x32



(L) Cam Bolt
[M6 x 51mm] x6



(M) Cam Lock
[ø14 x 13mm] x6



(N) Grub Screw
x6



(O) Shelf Pin
x8

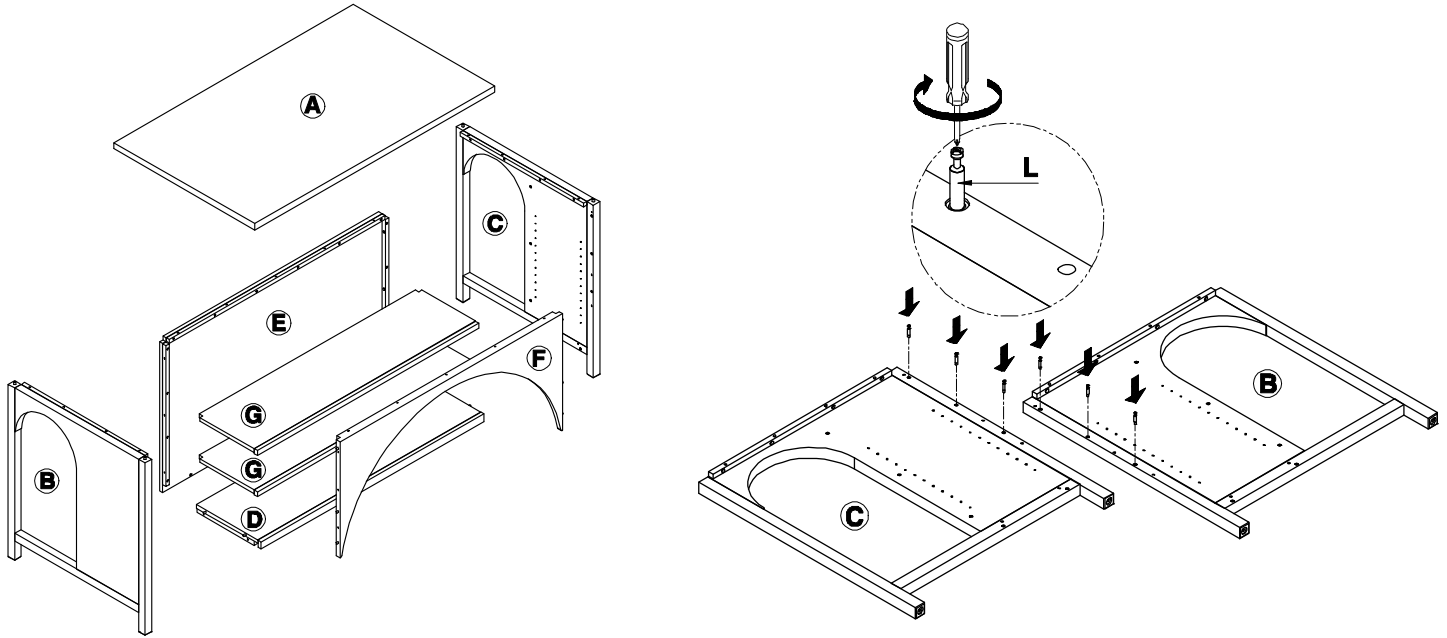


(P) Screw
[3.5 x 12mm] x8

Assembly Instructions

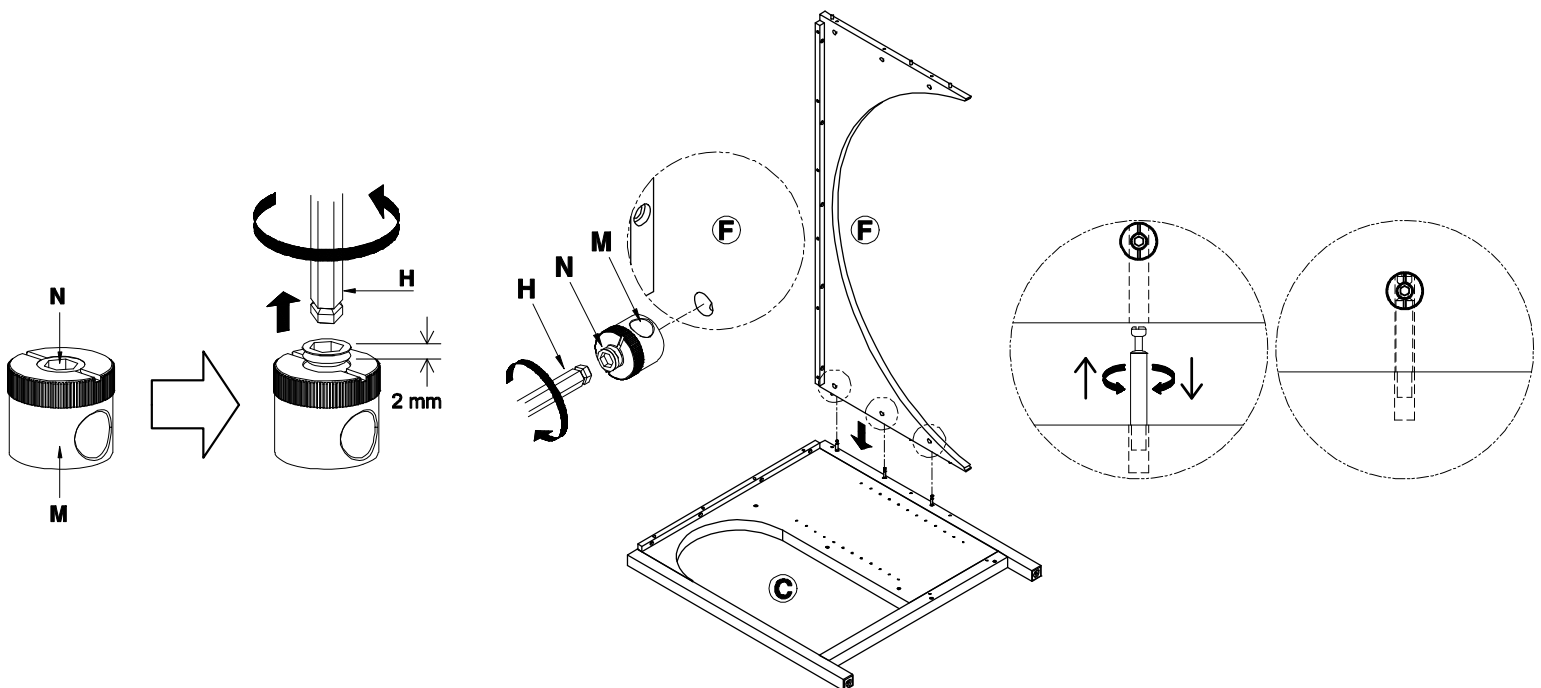
STEP 1

With help lay side panels (B&C) over onto a clean smooth surface such as carpet or cardboard. Insert cam bolts (L) into the threaded inserts in the side panels and tighten with a Phillips head screwdriver (not included).



STEP 2

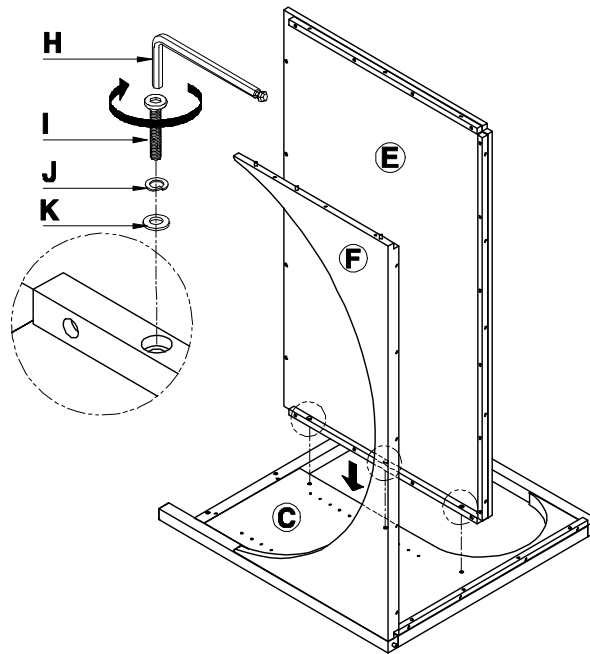
Insert cam locks (M) into the pre-drilled holes in the panel frame (F). Loosen the grub screws (N) installed within the cam locks (M) with hex-key (H). Leave about 2mm between the top of the grub screw head and cam lock. Align the panel frame (F) to the side panel (C) and press firmly together. Tighten the grub screw (N) with the supplied hex key (H).



Assembly Instructions

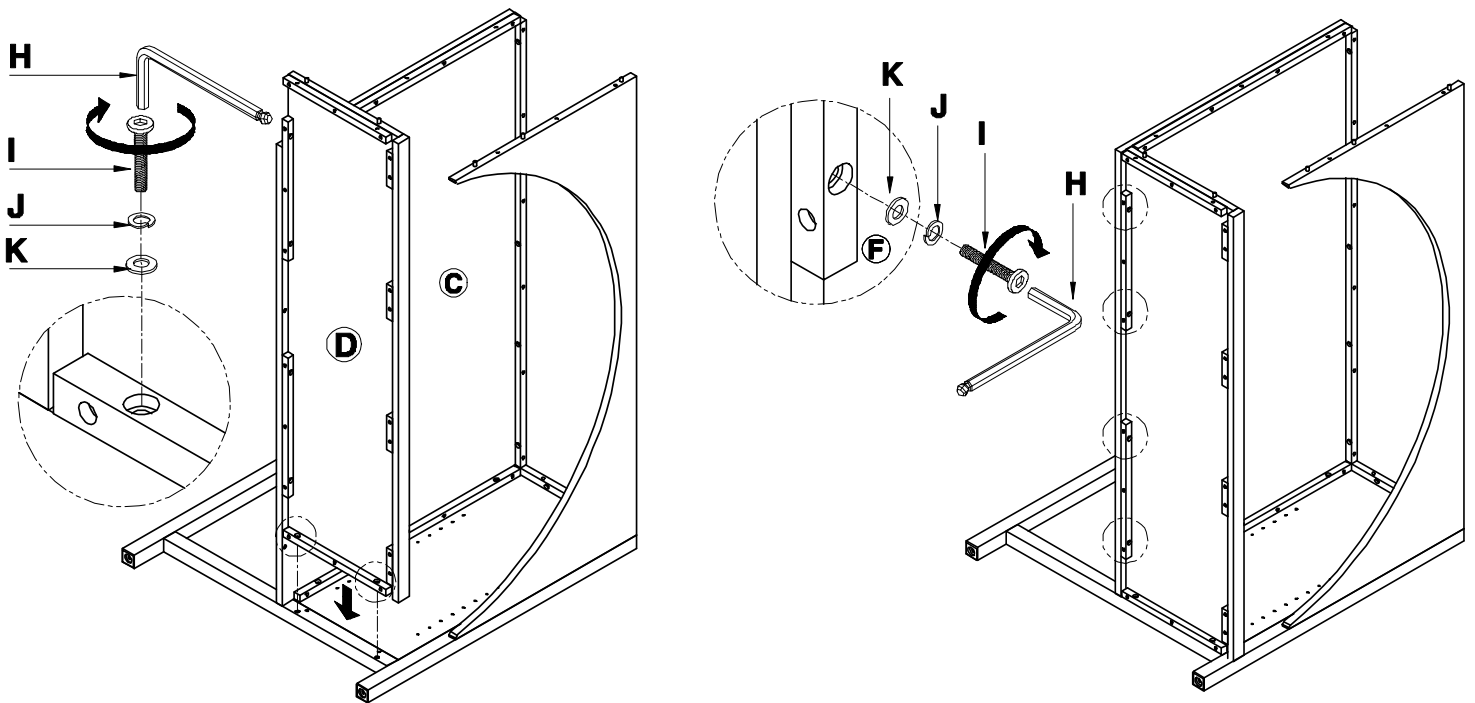
STEP 3

Align panel frame (E) to side panel (C) and press firmly into place. Insert flat washer (K), spring washer (J), and bolt (I). Tighten with supplied hex key (H).



STEP 4

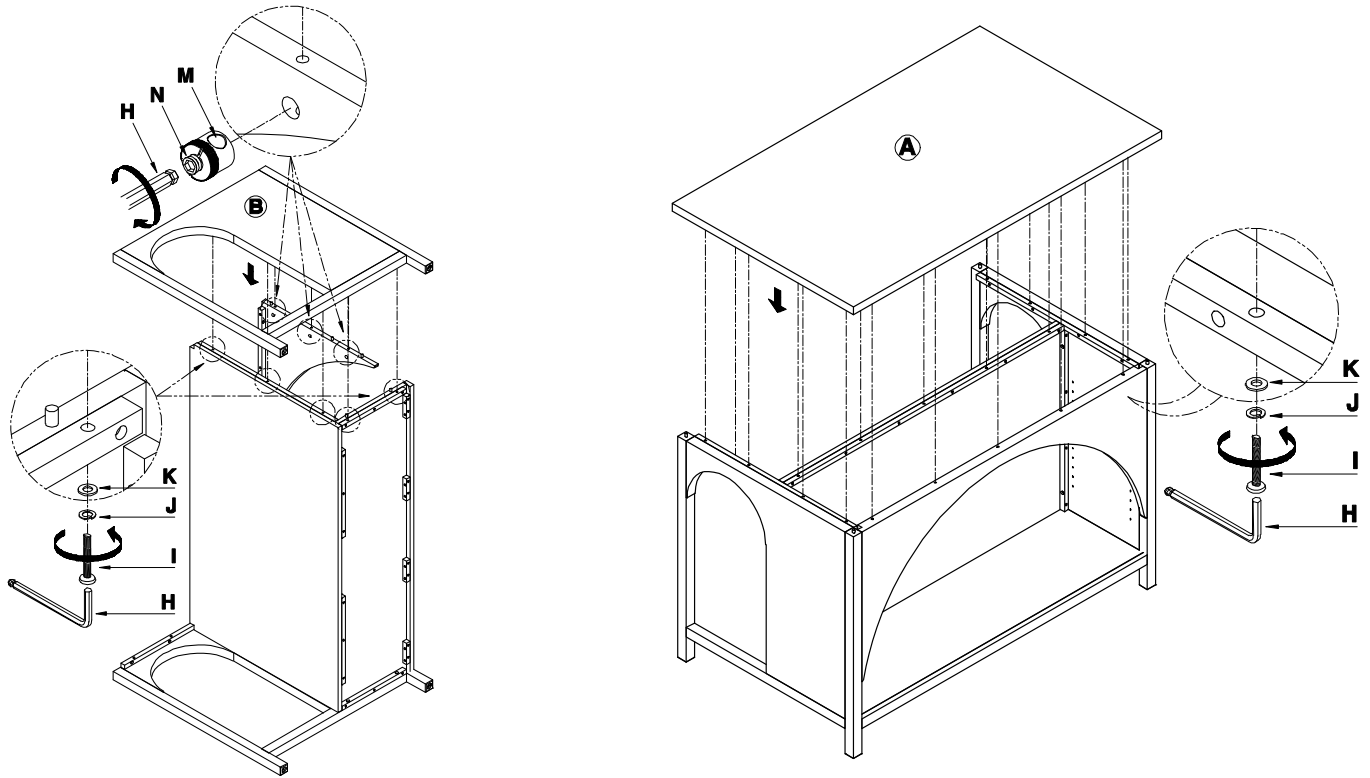
Align bottom panel (D) to side panel (C) and panel frame (E) and press firmly into place. Insert flat washer (K), spring washer (J), and bolt (I). Tighten with supplied hex key (H).



Assembly Instructions

STEP 5

Align side panel (B) to the partially assembled island as shown. Repeat steps 2-4 to attach side panel (B). With help, place the table top (A) onto the partially assembled island. Ensure the dowels in the island align with the holes in the table top and press firmly into place.



STEP 6

Place the shelf pins (O) into the side panels at a preferred height. Ensure the pins are aligned by counting the holes below each. Install the shelves (G) one at a time, beginning with the highest. To install the shelves (G), place one end of the shelf into the island, then tilt the opposite end of the shelf up and place it onto the highest shelf pins (O).

(OPTIONAL) Insert wood Screw (P) into the shelf pin (O) and screw down with a Phillips head screwdriver (not included).

