

## Assembly Instructions

### TOOLS REQUIRED BUT NOT INCLUDED:

Drill, Phillips head screwdriver, Hammer, Level, Pencil

### WARNINGS:

Do not discard packing materials and the carton until assembly is complete.  
 Ensure all parts are present prior to assembly.  
 Contact customer service immediately if any parts are missing.  
 Assemble all parts on a clean, smooth surface.

### CARE INSTRUCTIONS:

Avoid direct exposure to sunlight.  
 Blot spills with a clean, white cloth; do not rub.  
 Do not use harsh chemicals.  
 Before cleaning any part, test a small spot in a hidden area.  
 Do not place over heat or air conditioning vents.  
 Do not over-tighten the parts.  
 The parts may loosen after initial use; re-tighten as necessary.

Shelf Hardware Option 1



Shelf Hardware Option 2



### PARTS INCLUDED:

Shelf Hardware Option 1



Shelf Hardware Option 2

(A) Shelf



(B) Plastic Anchor  
 [D0.35" x 1.38"] x2  
 or  
 [D9 x 35 mm] x2



(C) Screw  
 [D.27" x 1.38"] x2  
 or  
 [D7 x 35 mm] x2

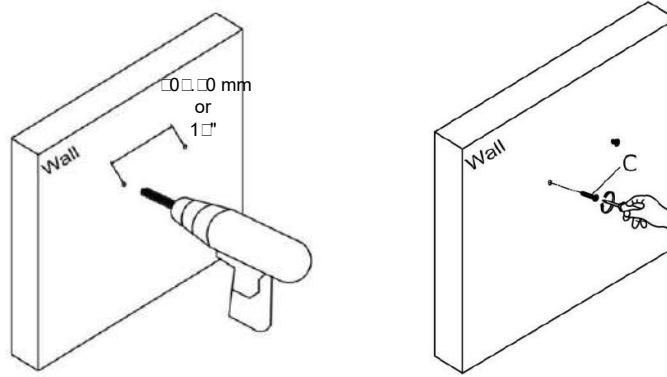
## Assembly Instructions

### STEP 1

Place the Shelf (A) on the wall in a chosen location. Ensure the Shelf (A) is level and mark the locations for the anchors (B) / Screw (C) using the dimensions in the diagram below as reference.

#### Wood or Stud installation:

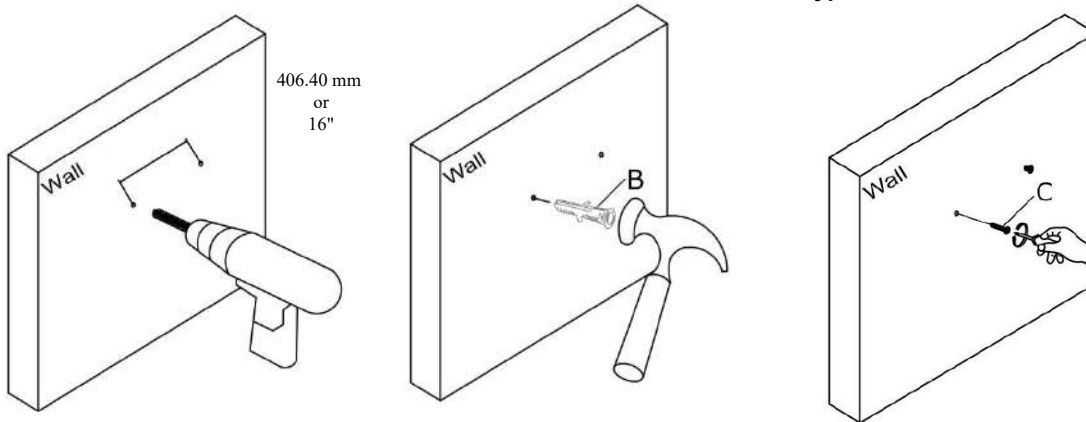
Use a Phillips head screwdriver to fasten the anchors (B) directly into the wall at the marked locations. Leave 1/8 - 3/16" or 3 - 10 mm between the top of the screws (C) and the wall.



#### Drywall installation:

Insert anchors (B) into the wall at the marked locations using a drill and a hammer. Insert screws (C) into the anchors, then tighten with a Phillips head screwdriver or drill. Leave 1/8 - 3/16" or 3 - 10 mm between the top of the screw (C) and the wall.

**The included hardware is intended for attachment to drywall or wooden wall surfaces. Contact your local hardware store to find the correct anchor for alternative wall types such as stone or brick.**



### STEP 2

Gently hang the shelf (A) on the screws (C). If the shelf (A) slopes downward, tighten the gap between the top of the screws (C) and the wall.

