

# MARTE PLATFORM BED QUEEN

URBAN OUTFITTERS

## Assembly Instructions

### TOOLS REQUIRED BUT NOT INCLUDED:

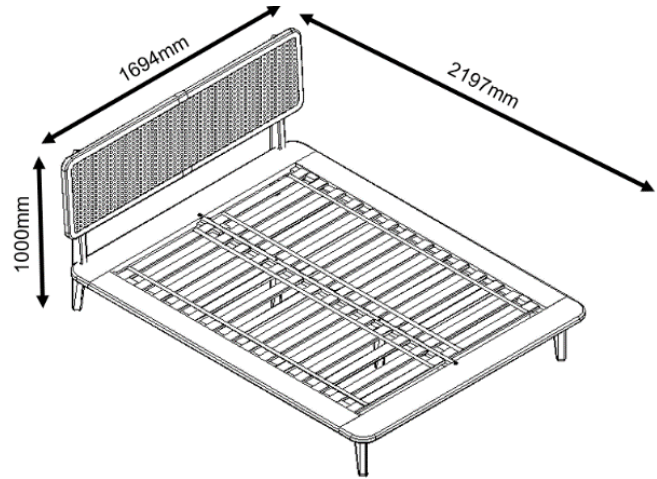
#2 Phillips head screwdriver

### WARNINGS:

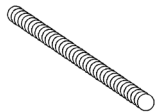
Do not throw away packing materials and carton until after assembly.  
 Ensure all parts are present prior to assembly.  
 Contact customer service immediately if parts are missing.  
 Assemble all parts on a clean smooth surface.

### CARE INSTRUCTIONS:

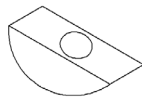
Avoid direct exposure to sunlight.  
 Do not place over heat or air conditioning vents.  
 Adjust levelers so that the furniture sits flat on uneven floors.  
 Blot spills with a clean white cloth, do not rub.  
 Do not use harsh chemicals.  
 Before cleaning any part test a small spot in a hidden area.  
 You may need to re-tighten all bolts after initial use.



### PARTS INCLUDED:



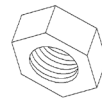
(A) Threaded Rod  
(M8 x 80mm) x4



(B) Halfmoon Washer  
(M8) x4



(C) Spring Washer  
(M8) x4



(D) Nut  
(M8) x4



(E) Wrench  
x1



(F) Bolt  
(M6 x 20mm) x10



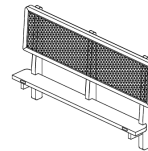
(G) Spring Washer  
(M6) x10



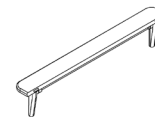
(H) Hex key  
x1



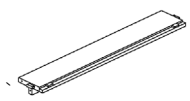
(I) Screw JF  
(#8 x 1 1/2") x12



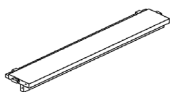
(J) Headboard  
x1



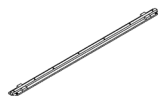
(K) Footboard  
x1



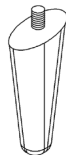
(L) Left-Side Rail  
x1



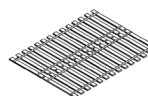
(M) Right-Side Rail  
x1



(N) Center Rail  
x1



(O) Center Leg  
x2



(P) Roll Slat  
x2

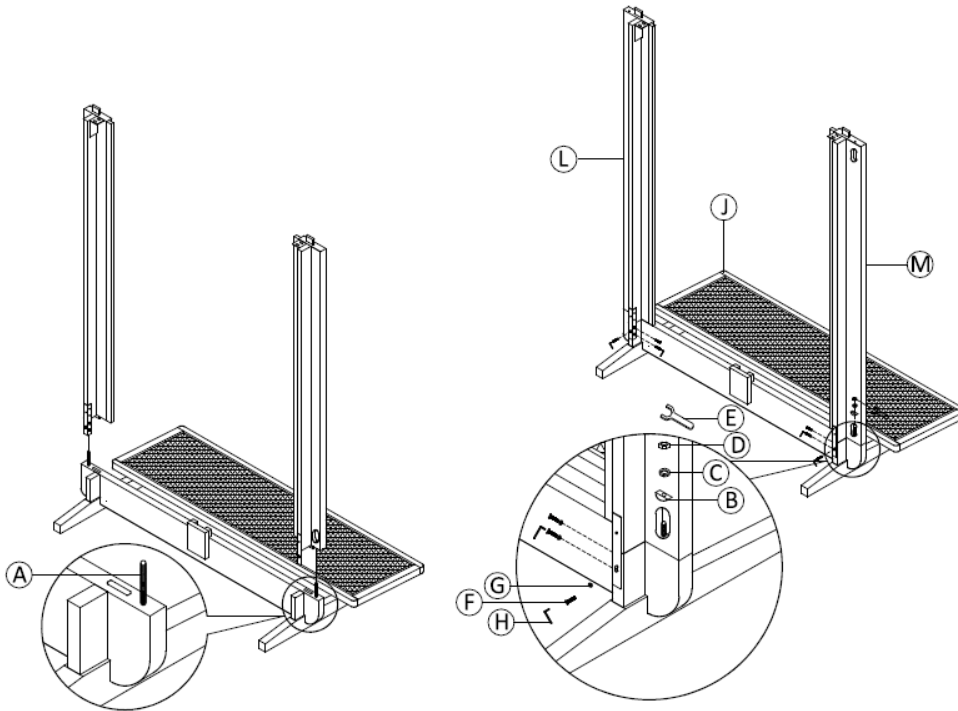
# MARTE PLATFORM BED QUEEN

URBAN OUTFITTERS

## Assembly Instructions

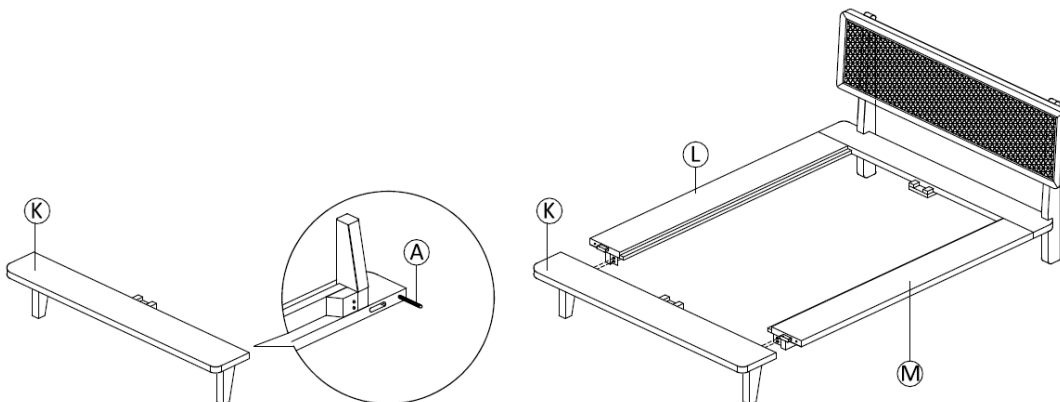
### STEP 1

With help, place the headboard (J) down on its back onto a smooth clean surface. Screw the threaded rod (A) into the holes in the headboard (J) by hand, as shown in the image below. With help, insert left-side rail (L) and right-side rail (M) onto the threaded rods (A) in the headboard (J). Insert the halfmoon washer (B), spring washer (C) and nut (D) onto the threaded rod (A). Partially tighten the nut (D) with wrench (E). Then, insert the bolt (F) and spring washer (G) into the brackets on the side rails (L&M). Fully tighten the bolt (F) with hex key (H). Then, fully tighten the nuts (D) with wrench (E) to secure the side rails (L&M) to the headboard (J).



### STEP 2

Place the footboard (K) down onto a smooth, clean surface. Screw the threaded rod (A) into the holes in footboard (K) by hand, as shown in the image below. Then, insert the footboard (K) onto left-side rail (L) and right-side rail (M).



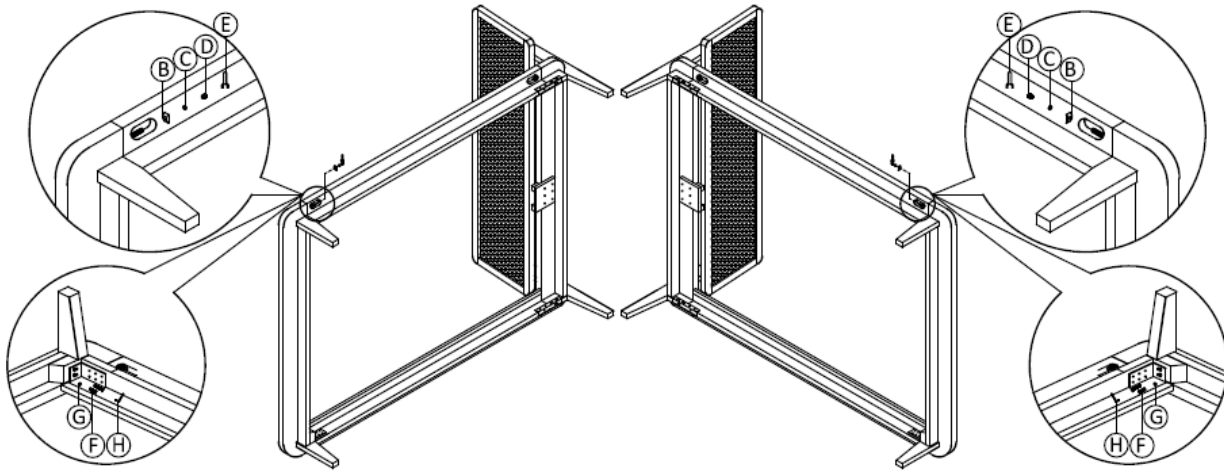
# MARTE PLATFORM BED QUEEN

## Assembly Instructions

URBAN OUTFITTERS

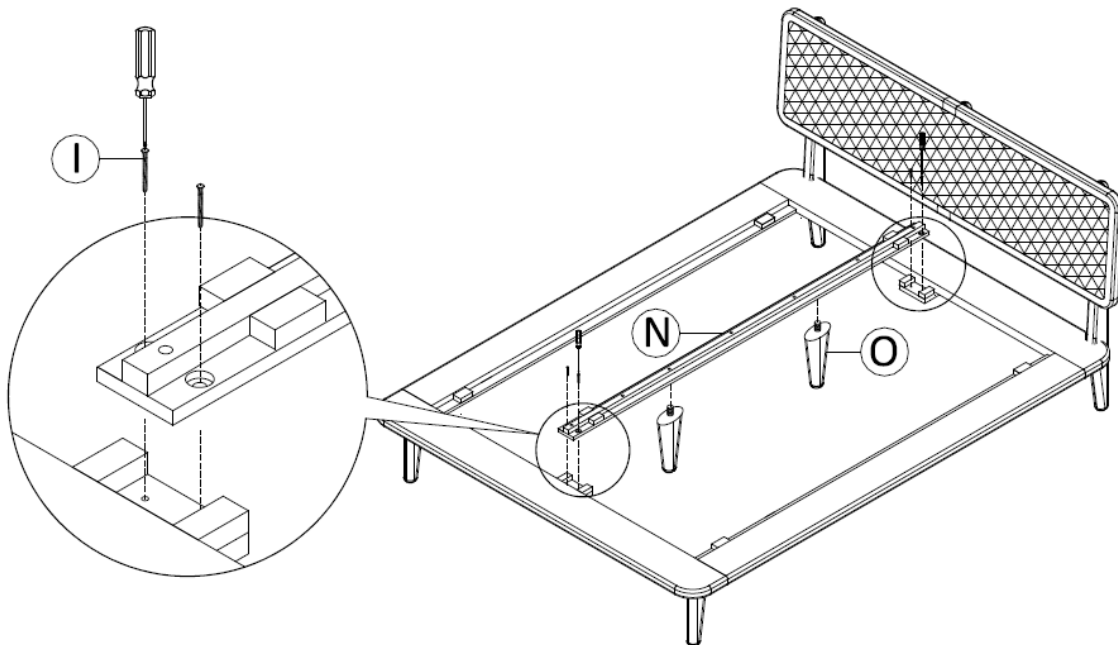
### STEP 3

Insert the halfmoon washer (B), spring washer (C) and nut (D) onto the threaded rod (A). Then, partially tighten the nut (D) with wrench (E). Insert the bolt (F) and spring washer (G) through the brackets on the side rails (L&M) and into the head / foot board (J&K). Fully tighten the bolt (F) with hex key (H). Then, fully tighten the nuts (D) with wrench (E) to secure the side rails (L&M) to the footboard (K).



### STEP 4

Screw the center legs (O) onto the center rail (N). Carefully lay the center bed rail (N) onto bed frame as shown in the image below. Insert screws (I) through the center bed rail (N) into the headboard (J) and footboard (K) and tighten with Phillips head screwdriver (not included), do not overtighten.



# MARTE PLATFORM BED QUEEN

## Assembly Instructions

URBAN OUTFITTERS

### STEP 5

With help lay the roll slats (P) into the bed frame as shown in the image below. Ensure the roll slats (P) are centered evenly from end to end. Then, insert the screws (I) through the rollout slats (P) into the side rails (L&M) and tighten with a Phillips head screwdriver (not included), do not overtighten.

