

LUCIE VANITY

Assembly Instructions

URBAN OUTFITTERS

TOOLS REQUIRED BUT NOT INCLUDED

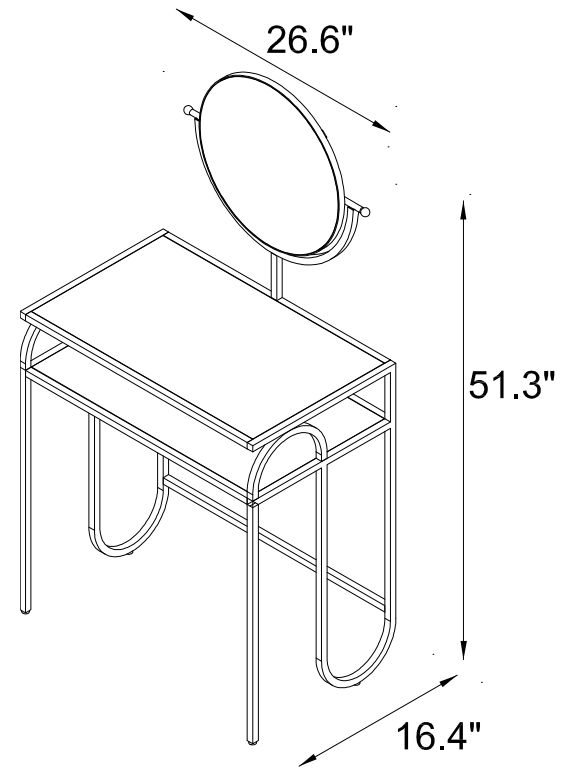
Drill, Phillips head screwdriver, Hammer, Pencil

WARNINGS:

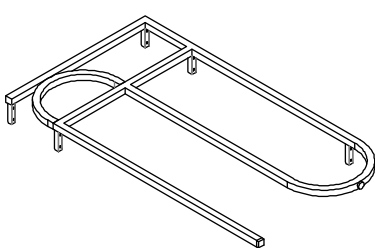
At least two people recommended for assembly
Do not throw away packing materials and carton until after assembly.
Ensure all parts are present prior to assembly.
Contact customer service immediately if parts are missing.
Assemble all parts on a clean smooth surface
Do not drag the table while moving.

CARE INSTRUCTIONS:

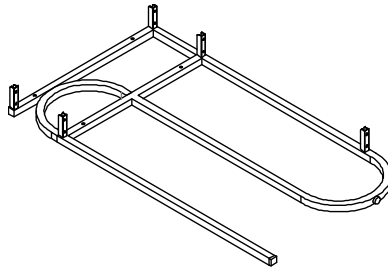
Avoid direct exposure to sunlight.
Do not place overheat or air conditioning vents.
Adjust levelers so that the furniture sits flat on uneven floors.
Blot spills with a clean white cloth, do not rub.
Do not use harsh chemicals.
Before cleaning any part test a small spot in a hidden area.
You may need to re-tighten all bolts after initial use.



PARTS INCLUDED



A-R) Metal Right Frame



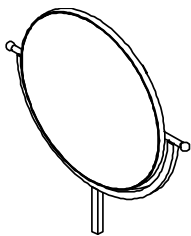
A-L) Metal Left Frame



B) Cross Rail



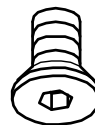
C) Cross Rail x 4



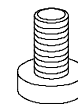
D) Mirror



E) Metal Shelf x 2



F) Bolt [M5xL10mm]
x 30



G) Adjustable Levelers
x 4



H) Bolt [M6xL10mm]



I) Anti-tip kit



J) Wall Screw [4x32]



K) Drywall Anchor



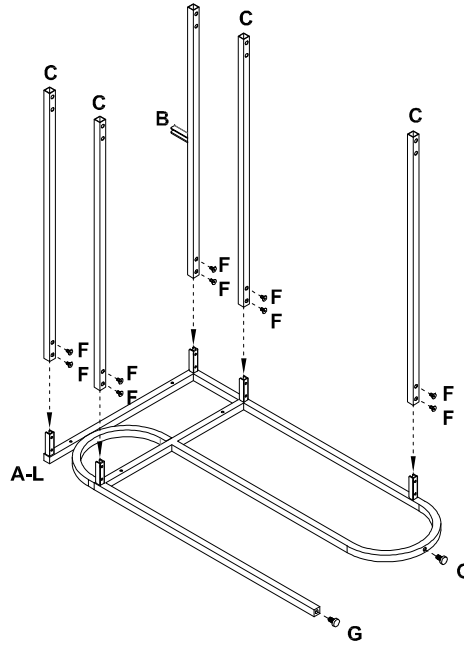
L) Allen Key (3mm)



M) Allen Key (4mm)

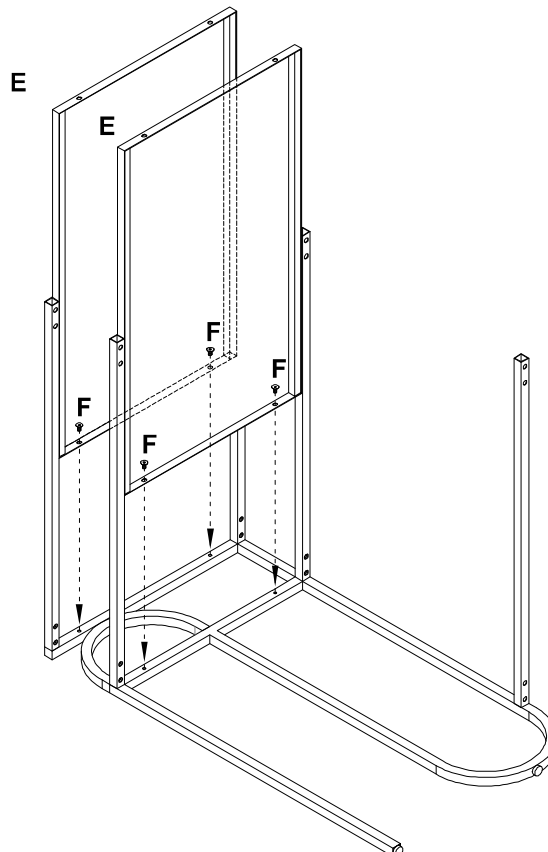
STEP 1

Lay down all the parts on a clean carpet or cardboard for assembly. Remove plastic protective caps from metal left frame (A-L). Attach cross rails (B) & (C) to metal left frame (A-L) and insert bolts (F) as shown. Partially tighten bolts (F) with Allen key (L). Once all bolts are inserted and partially tightened, fully tighten the bolts. Screw adjustable levelers (I) into metal left frame (G).



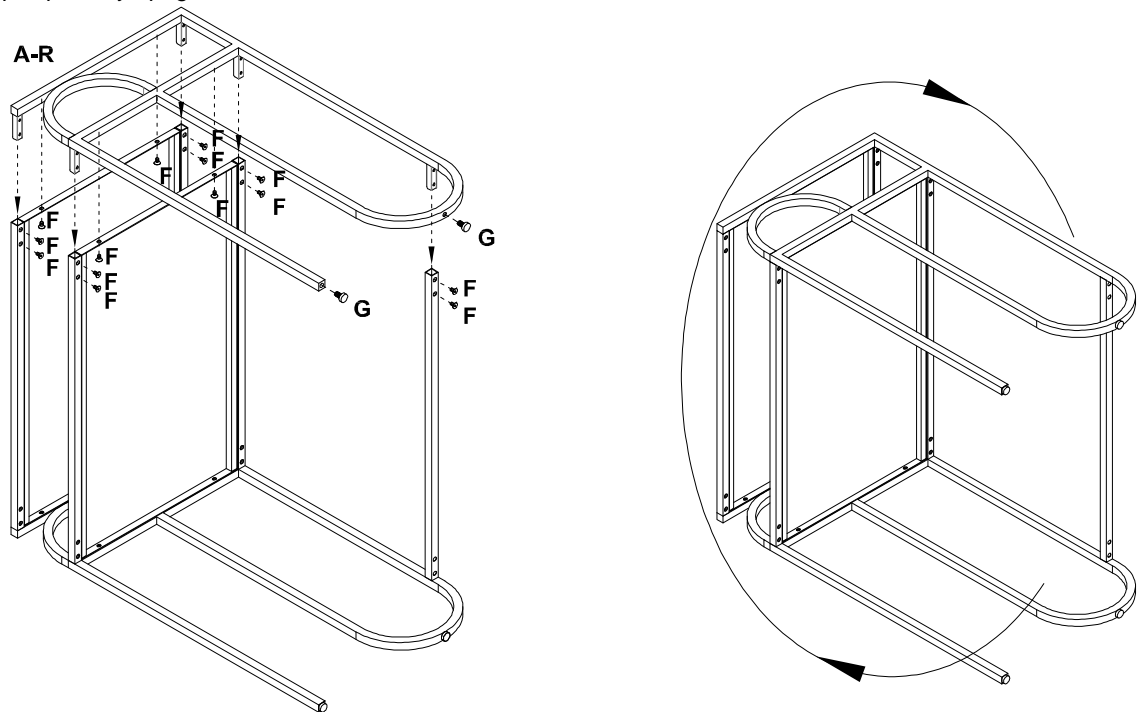
STEP 2

Align metal shelves (E) and insert bolts (F) as shown. Partially tighten bolts (F) with Allen key (L). Once all bolts are inserted and partially tightened, fully tighten the bolts.



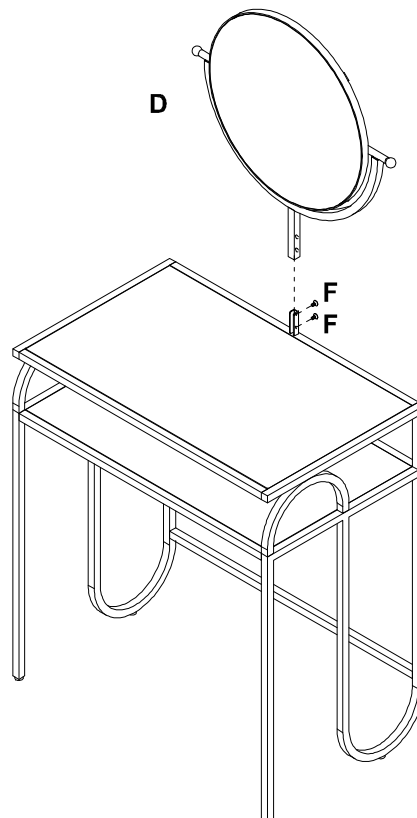
STEP 3

Attach metal right frame (A-R) to the partially assembled vanity and insert bolts (F) as shown. Partially tighten the bolts (F) with Allen key (J). Once all bolts are inserted and partially tightened, fully tighten the bolts. Screw adjustable levelers (G) into the metal right frame (A-R). With help, flip vanity upright.



STEP 4

Attach mirror (D) to the partially assembled vanity and insert bolts (F) as shown. Partially tighten bolts (F) with Allen key (L). Once all bolts are inserted and partially tightened, fully tighten the bolts.



STEP 5

Align the anti-tip bracket (I) to the vanity as shown and attach it with bolt (H) using Allen Key (M). Place the vanity against the wall in a chosen location and mark the location of the hole in the anti tip bracket (I) on the wall.

Wood or Stud Installation:

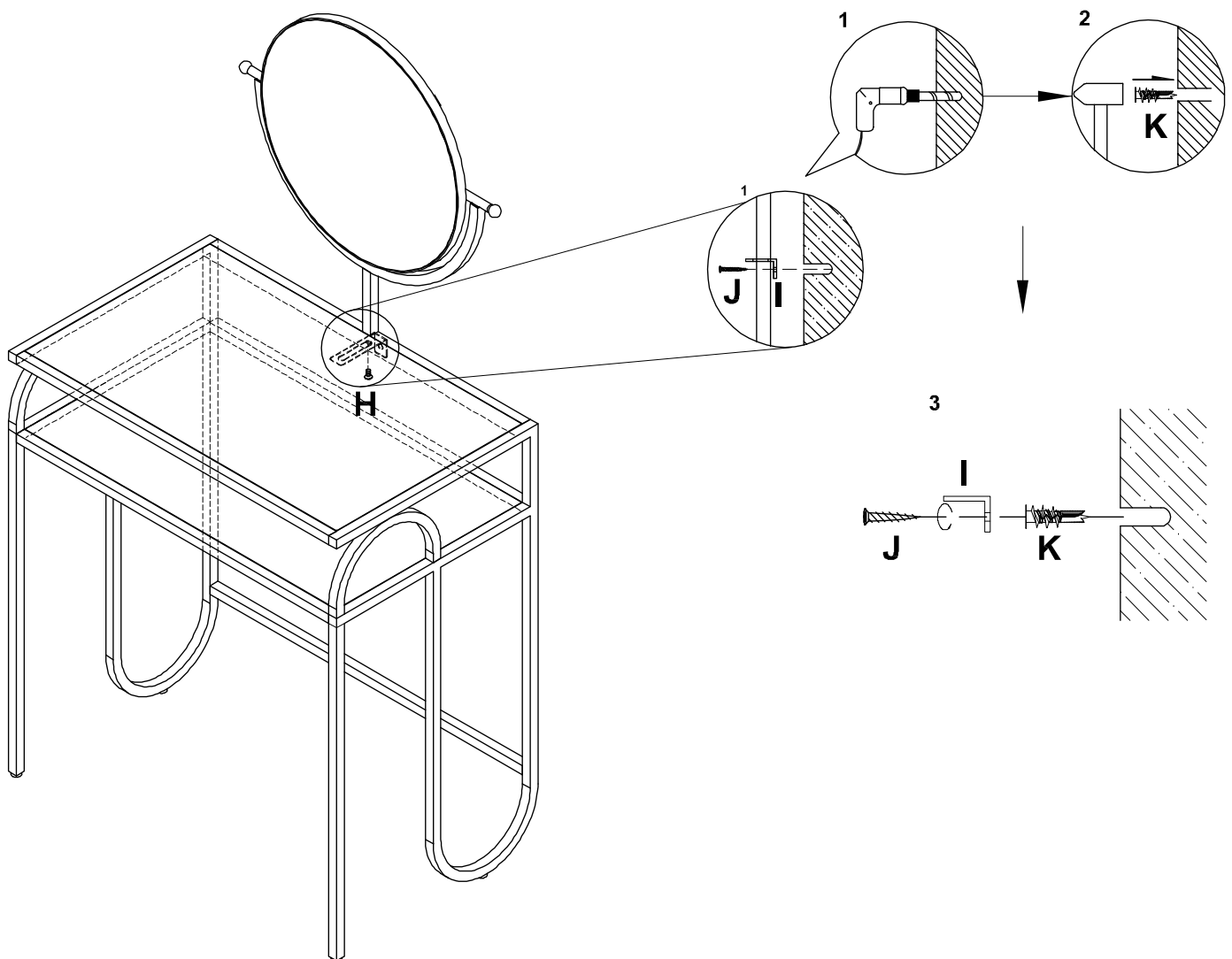
Insert screws (J) through the anti-tip bracket (I) into the wall and fasten with a Phillips head screwdriver.

Drywall Installation:

Attach the drywall anchor (K) to the wall at the marked location using a drill and hammer. Insert screws (J) through the anti-tip bracket (I) into the drywall anchor (K) and tighten with a Philips head screwdriver.

STEP 6

Adjust the levelers as necessary to accommodate uneven floors.



Warning: Young children may be injured by tipping furniture and the use of a tipping restraint is highly recommended. The tipping restraint is only a deterrent it is not a substitute for proper adult supervision.