

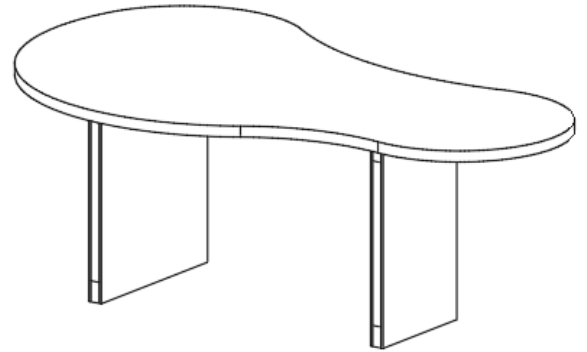
TOPO COFFEE TABLE

Assembly Instructions

URBAN OUTFITTERS

TOOLS REQUIRED BUT NOT INCLUDED:

Do not throw away packing materials and carton until after assembly. Assemble all parts on a clean smooth surface



CARE INSTRUCTIONS:

Avoid direct exposure to sunlight. Do not place over heat or Air conditioning vents. Adjust levelers so that the furniture sits flat on uneven floors.

Blot spills do not rub, with a clean white cloth. Do not use harsh chemicals.

Before cleaning any part test a small spot in a hidden area. You may need to re-tighten all bolts after initial use.

PARTS INCLUDED



(A) TOP 1X



(B) LEG A 1X



(C) LEG B 1X



(D) LEG SUPPORT 1X



(E) WASHER
[M6 X 15MM 11X]



(F) ALLEN BOLT
(M6X 30MM 8X)



(G) ALLEN BOLT
M6 X 50MM 3X



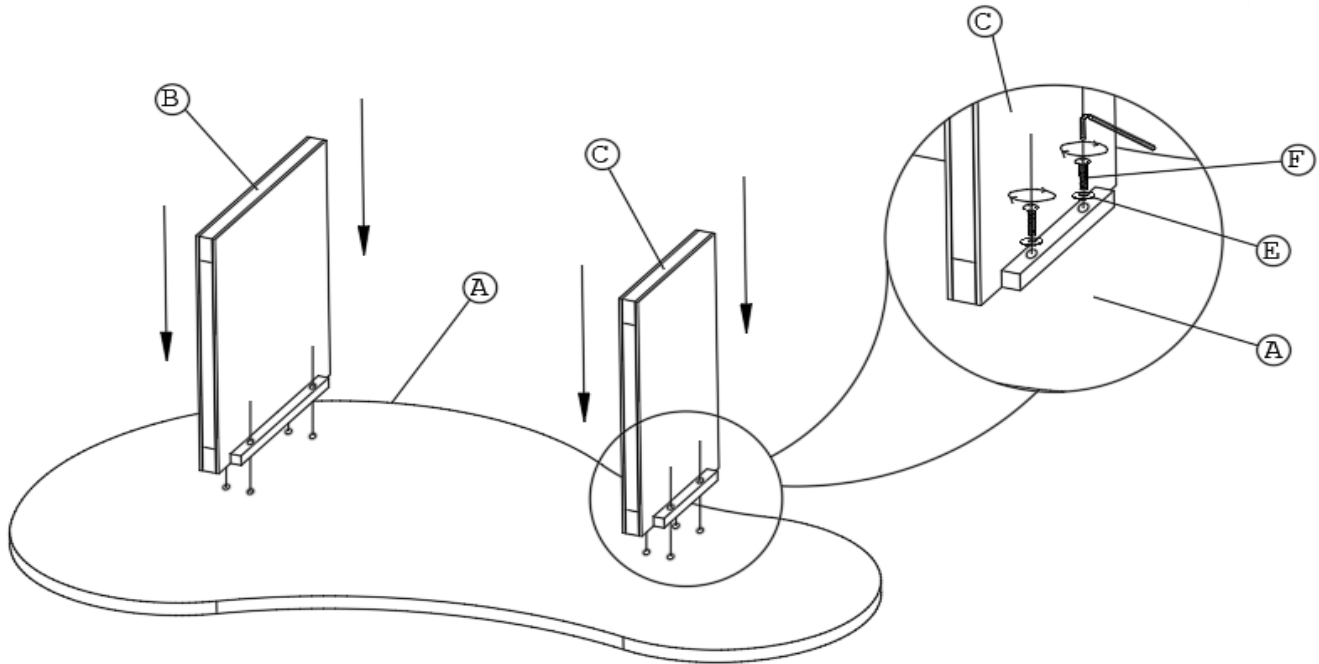
(H) ALLEN KEY(4MM) 1X

TOPO COFFEE TABLE

Assembly Instructions

URBAN OUTFITTERS

(A) STEP 1



STEP 2

