

Leonie Nightstand

Assembly Instructions

URBAN OUTFITTERS

TOOLS REQUIRED BUT NOT INCLUDED:

Phillips head screwdriver

WARNINGS:

Do not throw away packing materials and carton until after assembly.

Ensure all parts are present prior to assembly.

Contact customer service immediately if parts are missing.

Assemble all parts on a clean smooth surface.

CARE INSTRUCTIONS:

Avoid direct exposure to sunlight.

Do not place over heat or air conditioning vents.

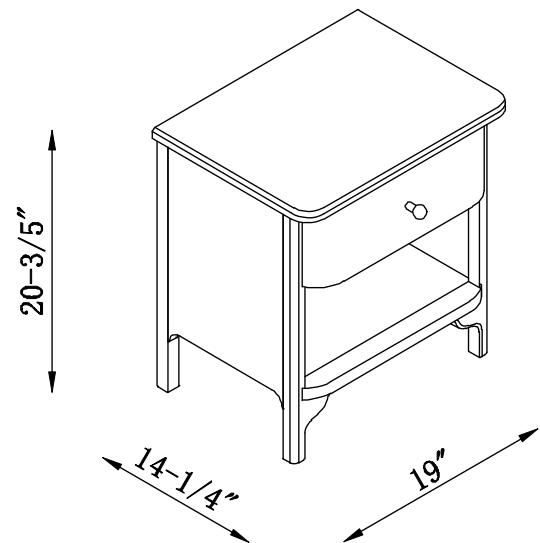
Adjust levelers so that the furniture sits flat on uneven floors.

Blot spills with a clean white cloth, do not rub.

Do not use harsh chemicals.

Before cleaning any part test a small spot in a hidden area.

You may need to re-tighten all bolts after initial use.



PARTS INCLUDED: N/A

STEP 1

Use a Philips head screwdriver and unscrew the Drawer screw. The Drawer Pull is attached to the inside of the drawer. Align the drawer pull to the hole in the front of the drawer and insert the screw through the back. Tighten the screw with a Phillips head screwdriver, do not over tighten. Turn the adjustable feet so the Nightstand sits flat on the ground.

