

# Marina Multihook

URBAN OUTFITTERS

## Assembly Instructions

---

### TOOLS REQUIRED BUT NOT INCLUDED:

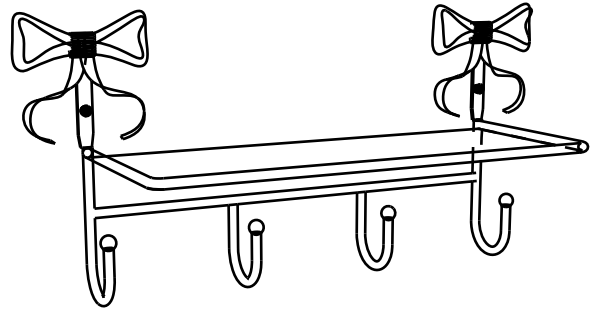
Drill, Phillips head screwdriver driver, Pencil, Level

### WARNINGS:

Do not throw away packing materials and carton until after assembly.  
Ensure all parts are present prior to assembly.  
Contact customer service immediately if parts are missing.  
Assemble all parts on a clean smooth surface.

### CARE INSTRUCTIONS:

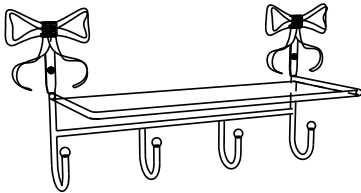
Avoid direct exposure to sunlight.  
Do not place over heat or air conditioning vents.  
Adjust levelers so that the furniture sits flat on uneven floors.  
Blot spills with a clean white cloth, do not rub.  
Do not use harsh chemicals.  
Before cleaning any part test a small spot in a hidden area.  
You may need to re-tighten all bolts after initial use.



9.5" H x 21" W x 6.8"D

### PARTS INCLUDED:

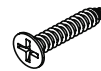
---



(A) Multi-Hook Shelf



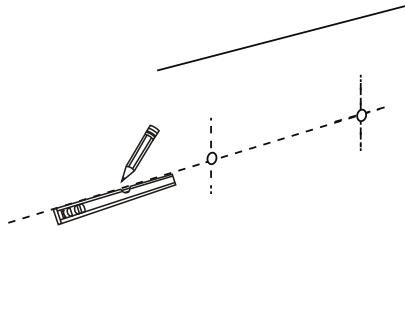
(B) Wall Anchor  
[16x7x35 mm] x2



(C) Machine Screw  
[8x8x32 mm] x2

### STEP 1

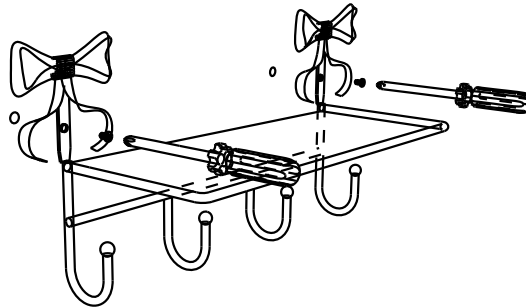
Place the Shelf (A) on the wall in a desired location and ensure it is level.



### STEP 2

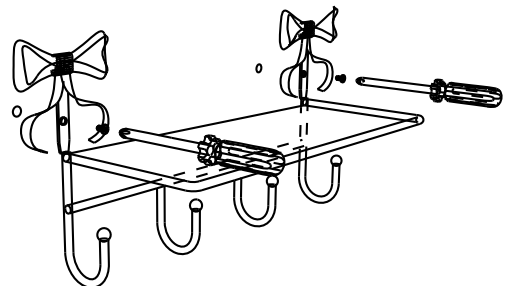
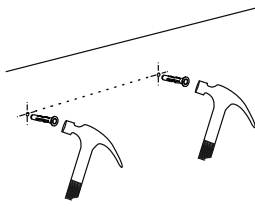
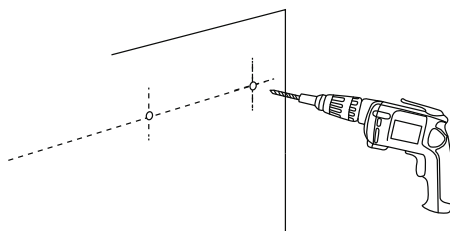
Wood or Stud installation:

Use a Phillips head screwdriver to fasten the shelf (A) directly to the wall using the screws (C) and a Phillips head screwdriver (not included).



Drywall installation:

Mark the location of the screw holes in the shelf (A) on the wall. Insert anchors (B) into the wall at the marked locations using a drill and a hammer (not included). Insert screws (C) into the anchors, then tighten with a phillips head screwdriver (not included).



**The included hardware is intended for attachment to drywall or wooden wall surfaces, contact your local hardware store to find the correct anchor for alternative wall-types such as stone or brick.**