

# Tabitha Media Cabinet

URBAN OUTFITTERS

## Assembly Instructions

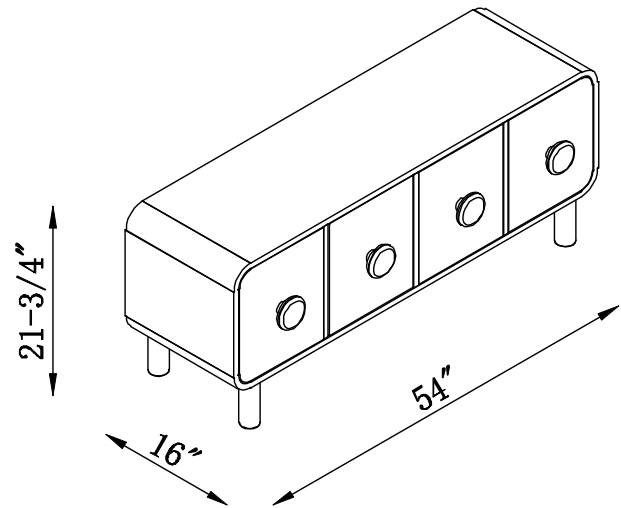
TOOLS REQUIRED BUT NOT INCLUDED:  
Phillips head screwdriver

### WARNINGS:

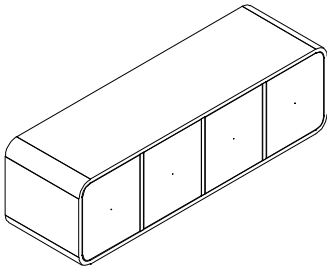
Do not throw away packing materials and carton until after assembly.  
Ensure all parts are present prior to assembly.  
Contact customer service immediately if parts are missing.  
Assemble all parts on a clean smooth surface.

### CARE INSTRUCTIONS:

Avoid direct exposure to sunlight.  
Do not place over heat or air conditioning vents.  
Adjust levelers so that the furniture sits flat on uneven floors.  
Blot spills with a clean white cloth, do not rub.  
Do not use harsh chemicals.  
Before cleaning any part test a small spot in a hidden area.  
You may need to re-tighten all bolts after initial use.



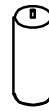
### PARTS INCLUDED:



(A) Cabinet  
x1



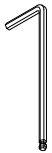
(B) Leg  
x4



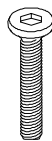
(C) Center leg  
x1



(D) Drawer pull  
x4



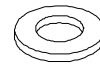
(E) Hex key  
x1



(F) Bolt  
[1/4" x 2/3"] x12



(G) Spring washer  
[1/4"] x12



(H) Flat washer  
[1/4"] x12

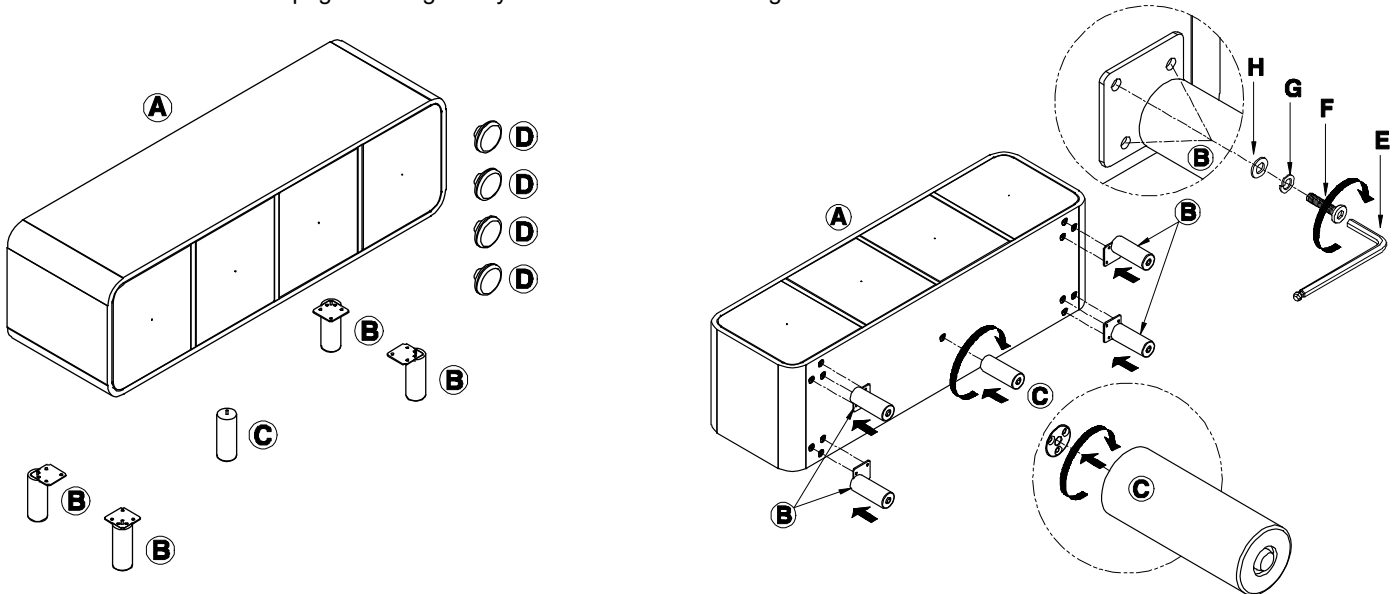
# Tabitha Media Cabinet

## Assembly Instructions

URBAN OUTFITTERS

### STEP 1

With help lay the Cabinet (A) over onto a clean smooth surface such as carpet or cardboard. Align the Cabinet (A) and Legs (B) as shown below. Insert Flat Washer (H), Spring Washer (G) and Bolt (F). Tighten with supplied Hex Key (E). Do not over tighten. Screw the center leg (C) into the Cabinet (A) clockwise until tight. With help stand the Media upright making sure you do not lean it on its legs.



### STEP 2

Unscrew the screws installed inside drawer pull (D) with a phillips head screwdriver (not included). Align the drawer pull (D) to the door front as shown below. Insert the original machine screw through the back of the door into the drawer pull (D) and tighten with a phillips head screwdriver (not included). Do not over tighten. Adjust the levelers as shown below to accommodate uneven floors.

