

GRACE SCONCE

URBAN OUTFITTERS

Assembly Instructions

TOOLS REQUIRED BUT NOT INCLUDED:

Phillips head screwdriver, Wire cutters

WARNINGS:

Do not throw away packing materials and carton until after assembly.

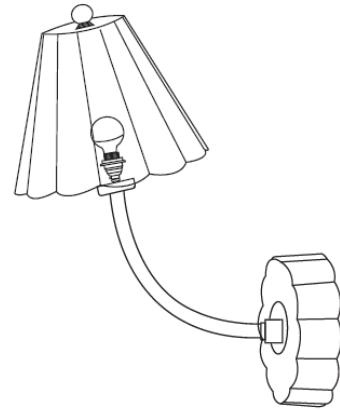
Ensure all parts are present prior to assembly.

Contact customer service immediately if parts are missing.

Assemble all parts on a clean smooth surface.

Use a MAX 25W Type B incandescent bulb or 7W LED bulb.

A licensed professional electrician should install direct wire fixtures.



CARE INSTRUCTIONS:

Avoid direct exposure to sunlight.

Do not place over heat or Air conditioning vents.

Blot spills do not rub, with a clean white cloth.

Do not use harsh chemicals.

Before cleaning any part test a small spot in a hidden area.

Do not use bulb that exceeds recommended wattage.

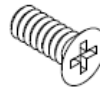
PARTS INCLUDED:



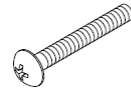
(A) Wire Nuts x 3



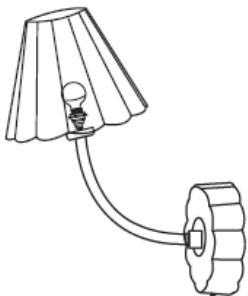
(B) Mounting Plate



(C) Set Screws
[5/32-32T*10mmL] X2



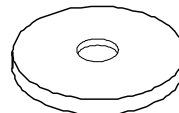
(D) Mounting Screws
[8#-32TX25mm] X2



(E) Sconce



(E) Finial



(F) Finish washer

Assembly Instructions

STEP 1

As you unpack and prepare for assembly, place the contents on a clean carpeted or padded flat surface area. Unscrew the Finial (E) from the Sconce (D) then, remove it and the Washer (F) from the Sconce (D).

STEP 2

Ensure power is turned off at the install location.

STEP 3

Insert the wires from the existing electrical box through the center opening of the Mounting Plate (B). Attach the Mounting Plate (B) to the outlet box using the Mounting Screws (D). Tighten each screw until the Mounting Plate (B) is firmly secured to the electrical box.

STEP 4

Carefully inspect the wire's fixtures:

- Neutral fixture wire = White
- Hot fixture wire = Black
- Ground wire = Green / Bare Copper

- Wrap the Ground wire of the electrical box around the ground screw on the Mounting plate (B) and tighten the screw.
- Attach the remaining Ground wire from the electrical box to the fixture Ground wire with a Wire nut (A) then, wrap the connection with electrical tape.
- Attach the Neutral fixture wire from the pendant to the Neutral electrical box wire.
- Attach the Hot fixture wire from the pendant to the Hot electrical box wire.
- Fasten each together with a Wire nut (A) then wrap the connection with electrical tape.
- Gently tuck the wires back into the electrical box.

DO NOT REVERSE THE HOT AND NEUTRAL CONNECTIONS OR SAFETY WILL BE COMPROMISED.

STEP 5

Place the Sconce (E) around the Mounting Plate (B) aligning the holes in the Sconce (E) with the holes in the Mounting Plate (B). Insert the Set screws (C) and tighten to secure the Sconce (E) in place. Do not over-tighten the Set screws (C).

STEP 6

Insert the specified light bulb into the socket. **DO NOT EXCEED THE SPECIFIED WATTAGE.**

STEP 7

Place the Shade and Finish washer (F) back onto the Sconce (D) as shown. Screw the Finial (E) back onto the Sconce (D) to secure the Shade.

STEP 8

Restore power at the install location to complete installation.

Use a MAX 25W Type B incandescent bulb or 7W LED bulb. Do not use bulb that exceeds recommended wattage.

