

MIKAELA 4 TIER SHELF

URBAN OUTFITTERS

Assembly Instructions

TOOLS REQUIRED BUT NOT INCLUDED: N/A

WARNINGS:

Do not throw away packing materials and carton until after assembly.
Assemble all parts on a clean smooth surface

CARE INSTRUCTIONS:

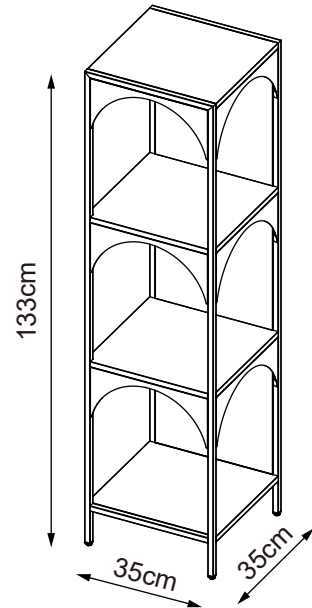
Avoid direct exposure to sunlight. Do not place overheat or air conditioning vents. Adjust levelers so that the furniture sits flat on uneven floors.

Blot spills do not rub, with a clean white cloth.

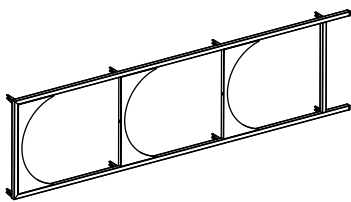
Do not use harsh chemicals.

Before cleaning any part test a small spot in a hidden area.

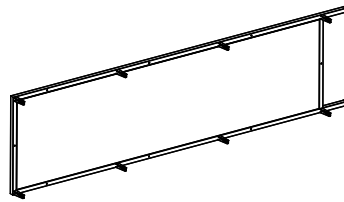
You may need to re-tighten all bolts after initial use.



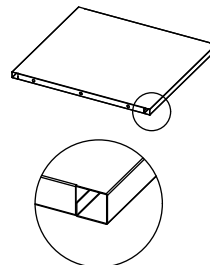
PARTS INCLUDED



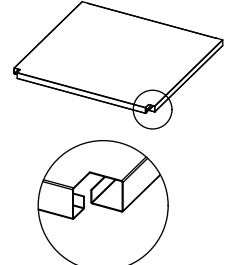
① x1



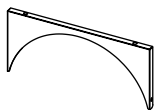
② x1



③ x2



④ x2



⑤ x6



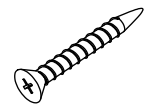
(a) Bolt
[M6 x 10mm] x16pcs



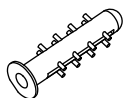
(b) Screw
[M4 x 8mm] x18pcs



(c) Feet
4pcs



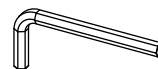
(d) Screw
[M4 x 40mm] x 2pcs



(e) Wall Plug
2pcs



(f) Metal Plate
2pcs



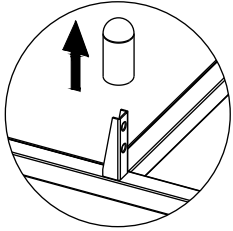
(g) Allen Key
[4mm] x1pc

MIKAELA 4 TIER SHELF

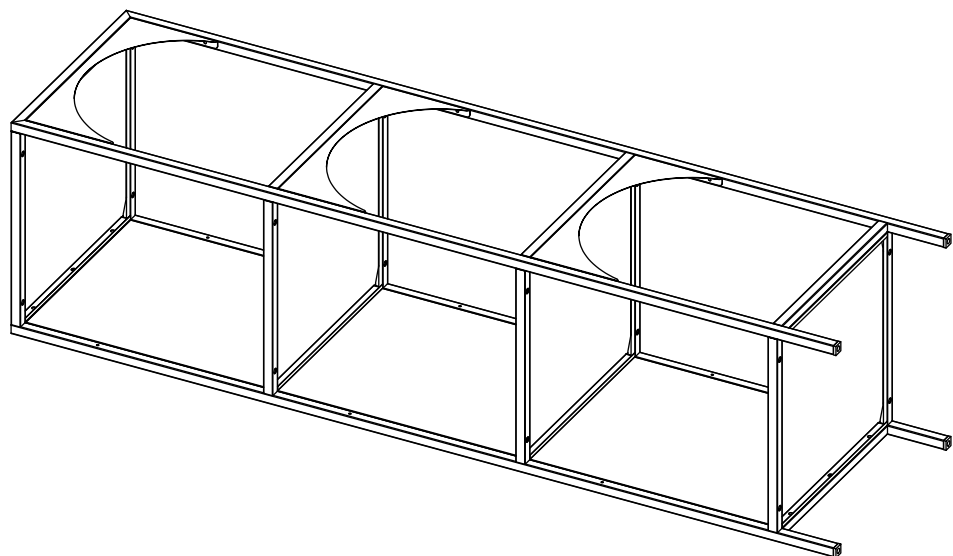
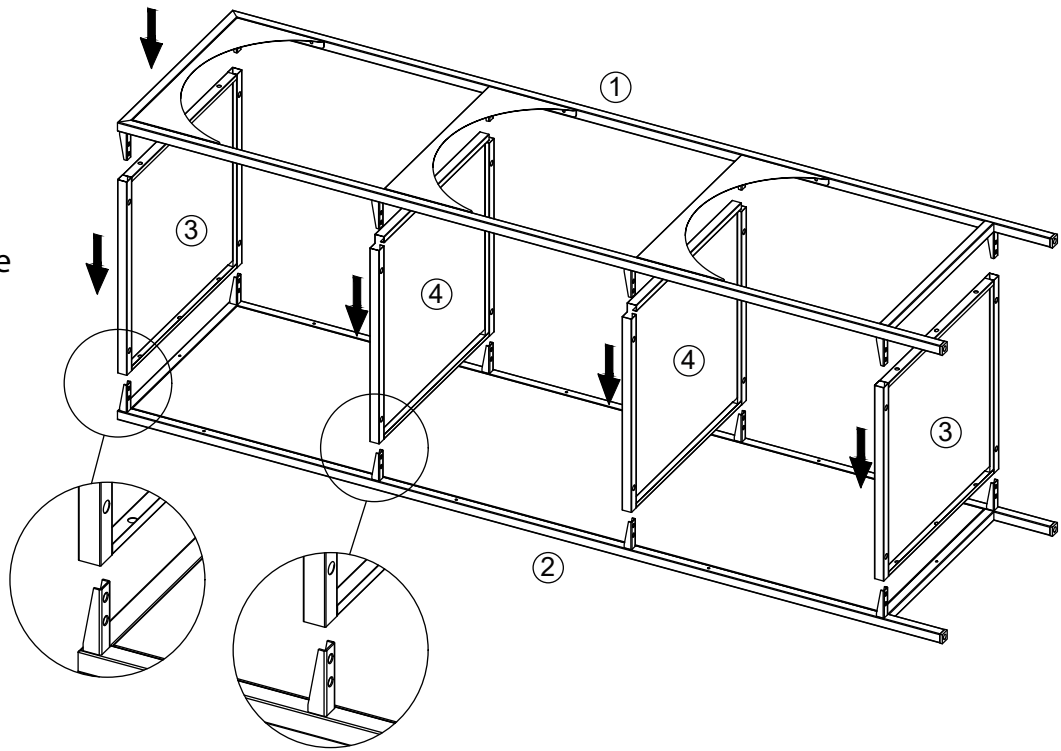
URBAN OUTFITTERS

Assembly Instructions

STEP 1



Pull out the protective sleeve first

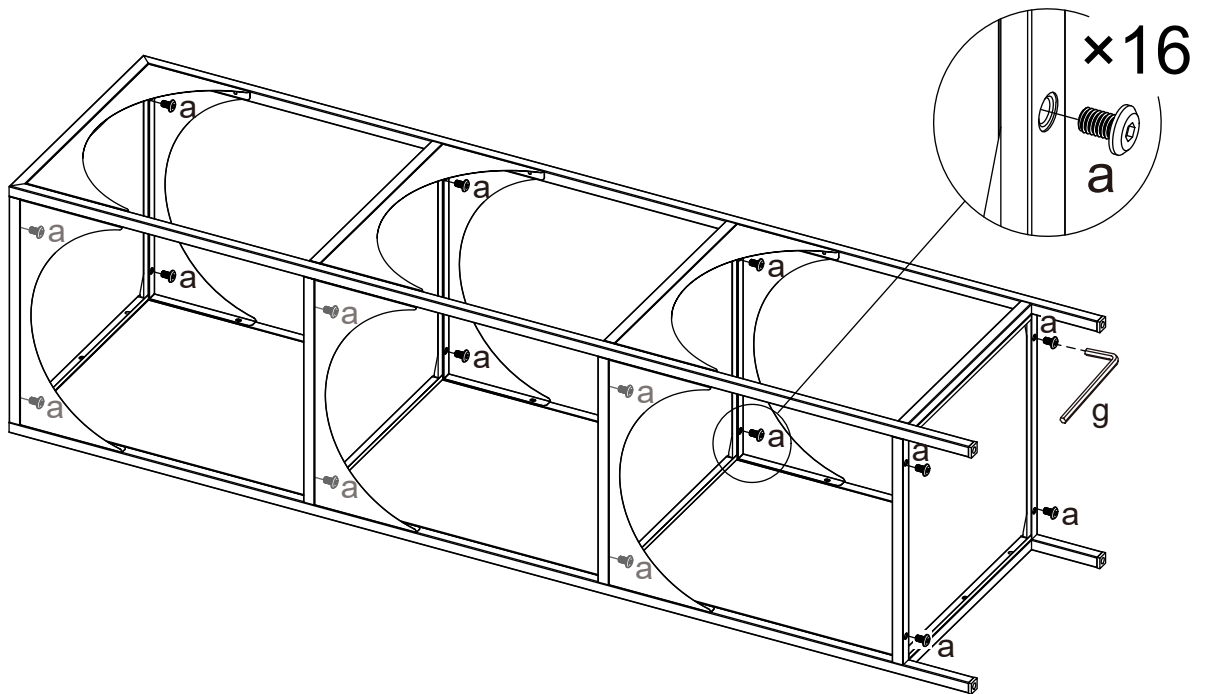
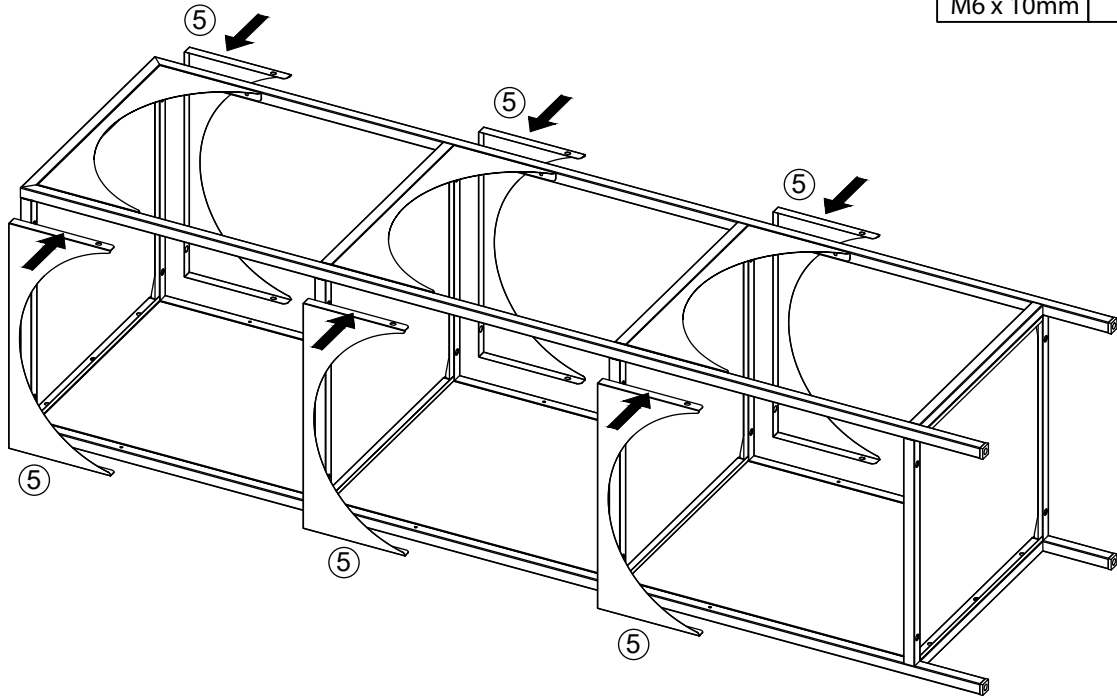
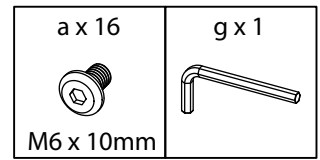


MIKAELA 4 TIER SHELF

URBAN OUTFITTERS

Assembly Instructions

STEP 2





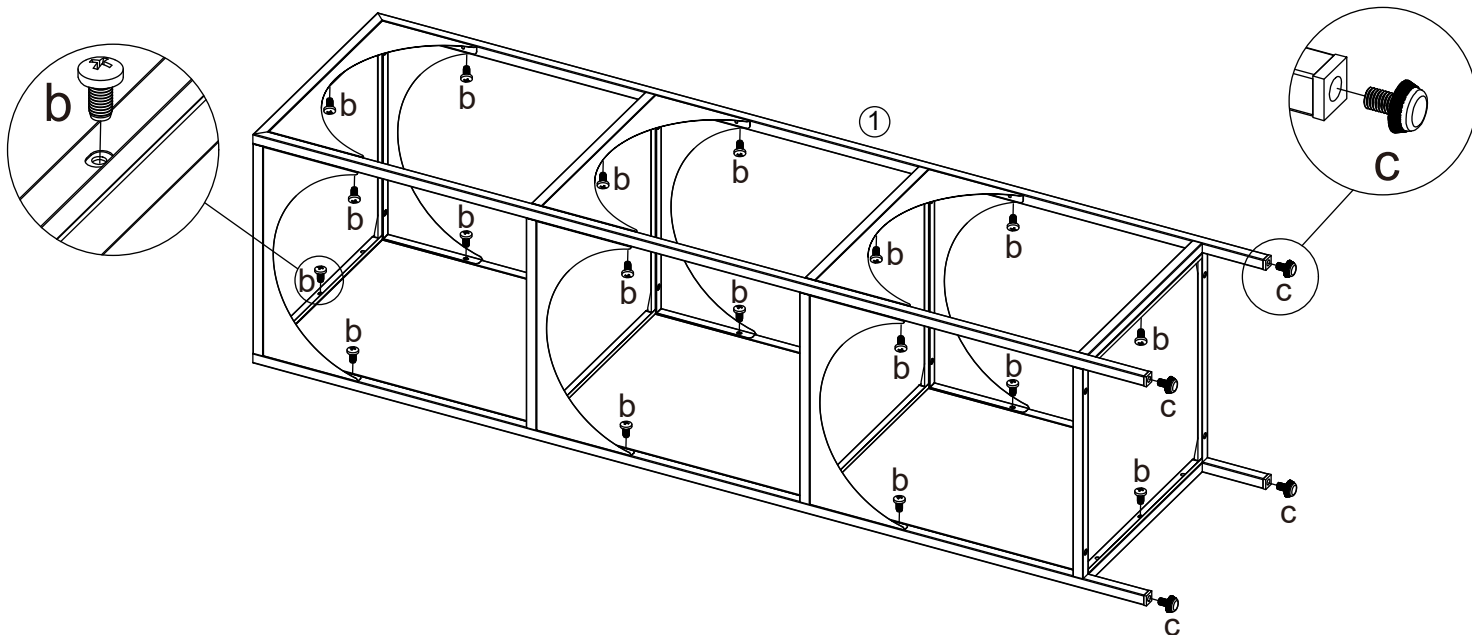
MIKAELA 4 TIER SHELF

URBAN OUTFITTERS




Assembly Instructions

STEP 3

b x 18	c x 4
	
M4 x 8mm	



STEP 4

d x 2	e x 2	f x 2
		
M4 x 40mm		

