

ALANA LARGE BOOKSHELF

Assembly Instructions

URBAN OUTFITTERS

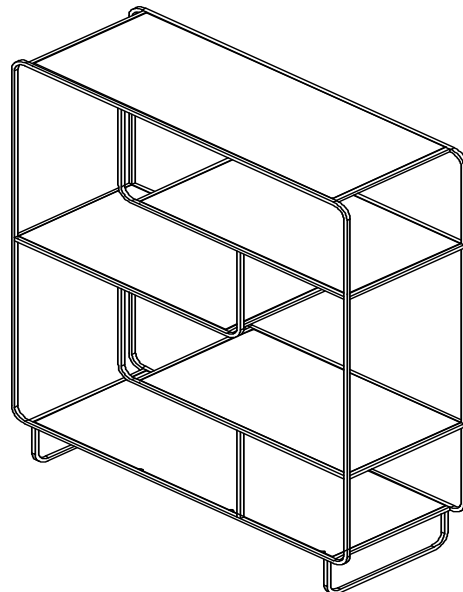
REQUIRE 2 PEOPLE WHEN ASSEMBLE

DO NOT DRAG WHEN MOVING THE BOOKSHELF

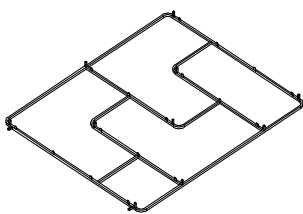
Do not throw away packing materials and carton until after assembly.
Assemble all parts on a clean smooth surface

CARE INSTRUCTIONS:

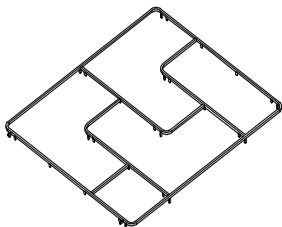
Avoid direct exposure to sunlight. Do not place over heat or Air conditioning vents.
Adjust levelers so that the furniture sits flat on uneven floors.
Blot spills do not rub, with a clean white cloth.
Do not use harsh chemicals.
Before cleaning any part test a small spot in a hidden area.
You may need to re-tighten all bolts after initial use.



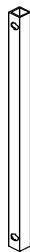
PARTS INCLUDED



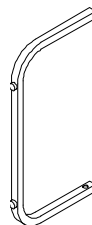
(A-L)
Left side panel 1x



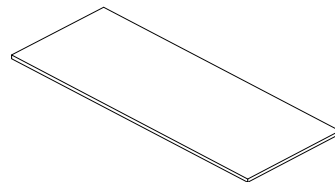
(A-R)
Right side panel 1x



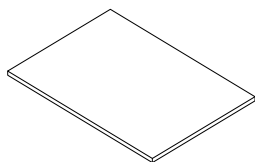
(B)
Gross rail 10x



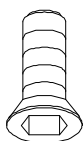
(C)
Metal leg 2x



(D)
Long shelf 2x



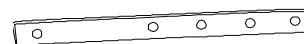
(E)
Short shelf 3x



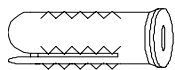
(F)
Bolts
M5xL10mm 24x



(G)
Hex Key 1x



(H)
Wall Strap 1x



(I)
Plastic Anchor 1x



(L)
Wall screws
M4x26mm 1x

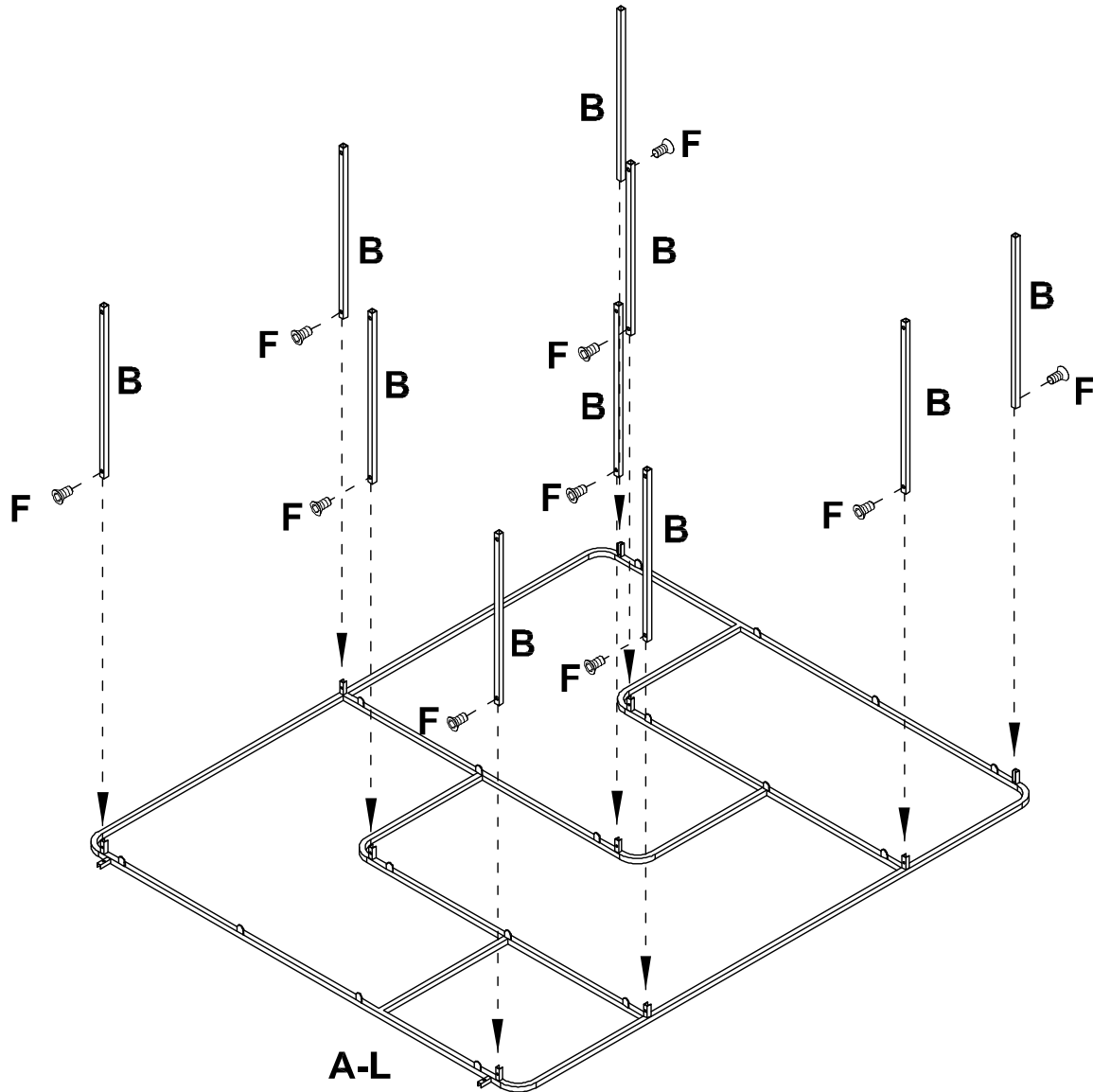
ALANA LARGE BOOKSHELF

URBAN OUTFITTERS

Assembly Instructions

STEP 1

Lay down the Left Side Panel (A-L) onto clean carpet or cardboard. Align Left Panel (A-L) with Cross Rails (B) as shown below. Insert Bolts (F) and tighten with supplied Hex Key (G). **“DO NOT TIGHTEN THE SCREWS BEFORE THE ASSEMBLY IS COMPLETED”**.



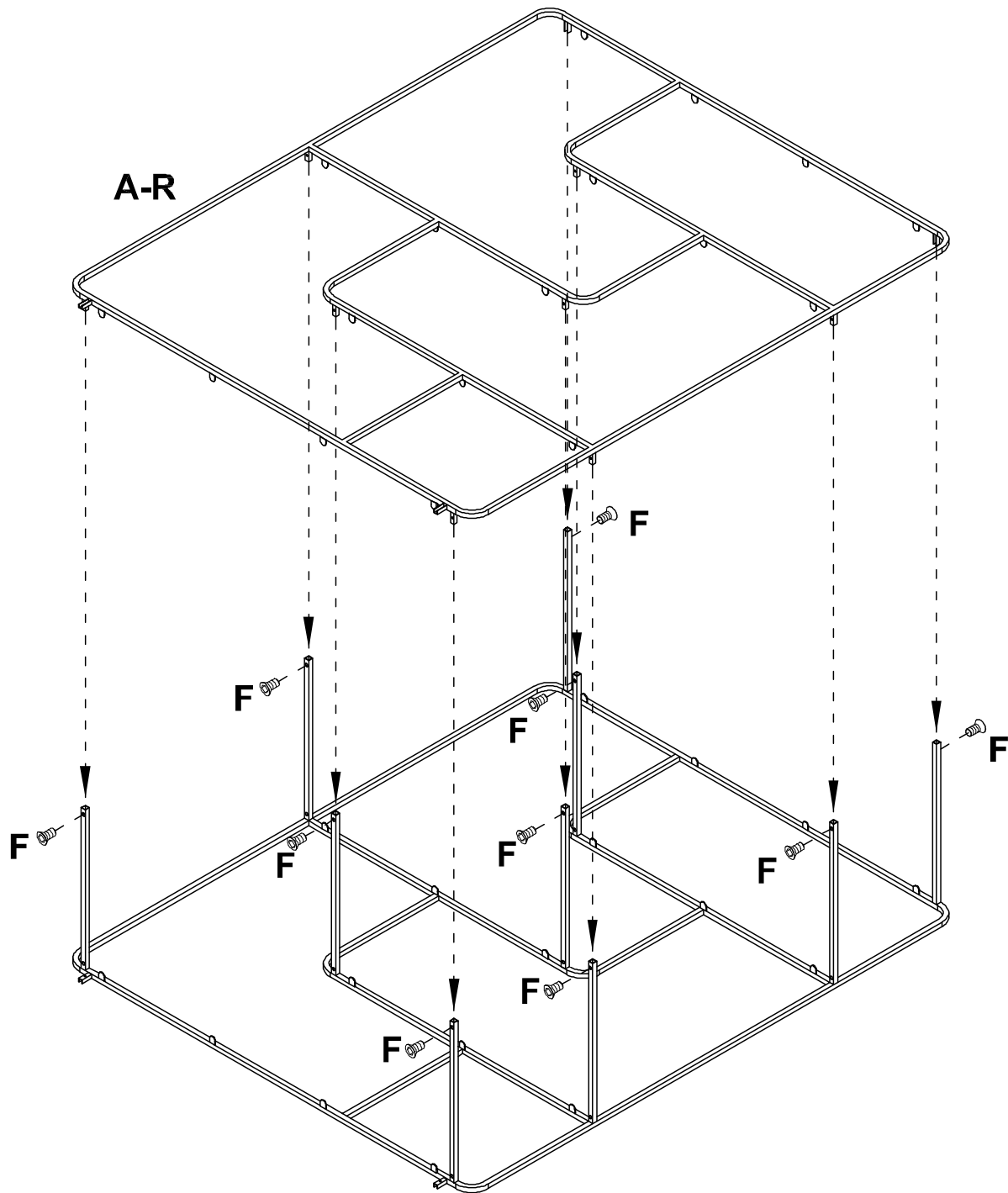
ALANA LARGE BOOKSHELF

URBAN OUTFITTERS

Assembly Instructions

STEP 2

Align Right Side Panel (A-R) with Cross Rails (B), insert Bolts (F), and tighten with supplied Hex Key (G).



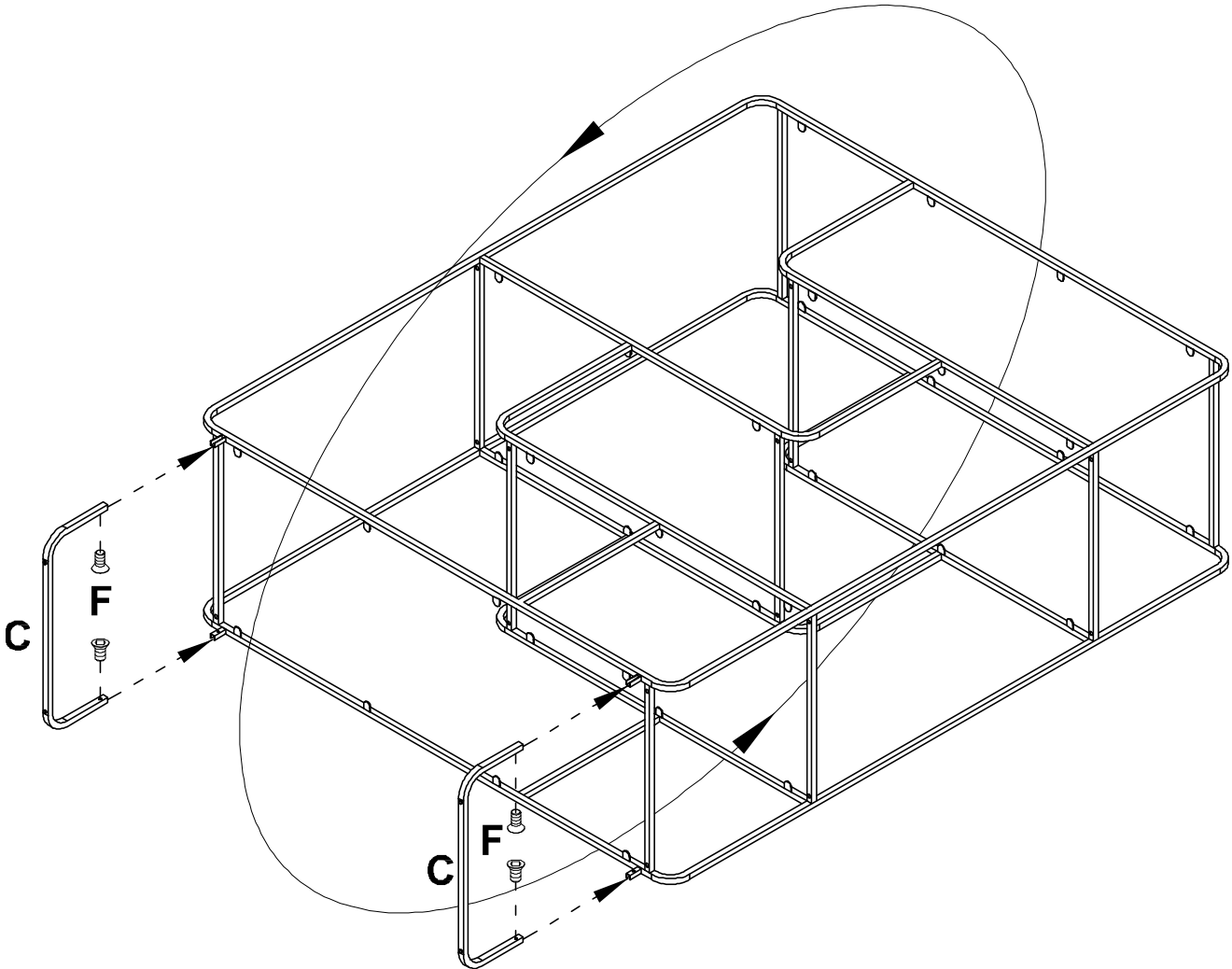
ALANA LARGE BOOKSHELF

URBAN OUTFITTERS

Assembly Instructions

STEP 3

Align both Frame Legs (C) on the bookshelf. Insert Bolts (F), and tighten with supplied Hex Key (G). Flip over the Bookshelf to right position.



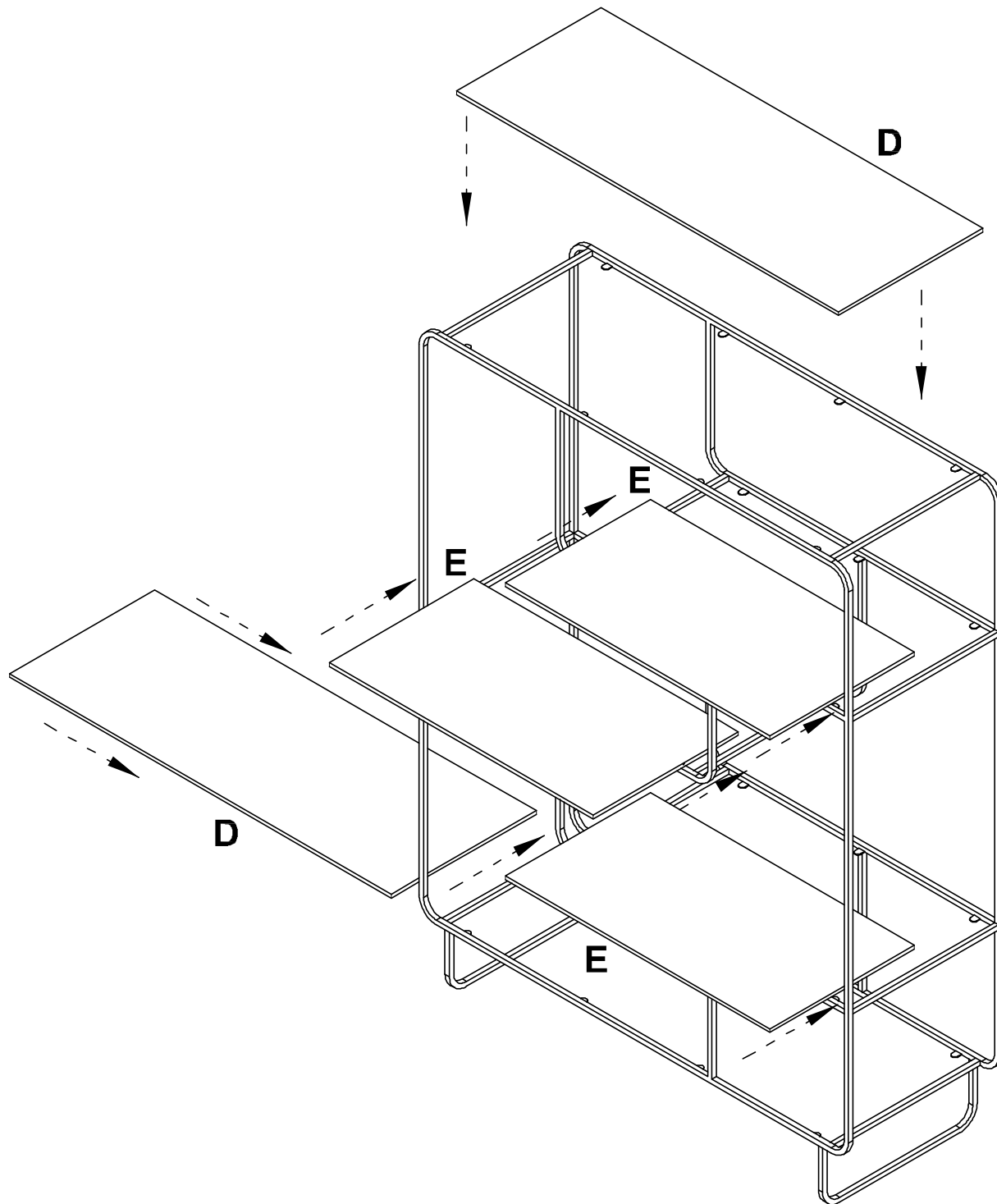
ALANA LARGE BOOKSHELF

URBAN OUTFITTERS

Assembly Instructions

STEP 4

Gently place the Metal Shelf (D), (E) onto the assembled Bookshelf as shown.



ALANA LARGE BOOKSHELF

URBAN OUTFITTERS

Assembly Instructions

Step 5

Contact your local hardware store for the correct anchors for your walltype. Place the bookshelf where you want it to sit. Drill holes at marked spot with 1/4" drill bit. Carefully hammer in the plastic anchors (I). Attached wall straps (H) into the hole using wall screw (J) as shown.

Warning: This product is only a deterrent. It is not a substitute for proper adult supervision. Manufacturer assumes no liability for improper installation or excessive loads placed on screws, brackets or straps.

Young children may be injured by tipping furniture and the use of a tipping restraint is highly recommended.

