

# Mason Curio Cabinet

URBAN OUTFITTERS

## Assembly Instructions

### TOOLS REQUIRED BUT NOT INCLUDED:

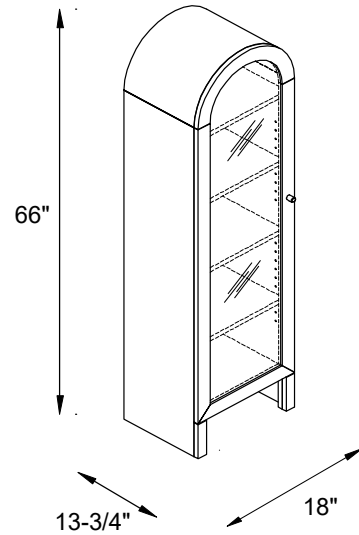
Phillips head screwdriver, Pencil

### WARNINGS:

Do not throw away packing materials and carton until after assembly.  
Ensure all parts are present prior to assembly.  
Contact customer service immediately if parts are missing.  
Assemble all parts on a clean smooth surface.

### CARE INSTRUCTIONS:

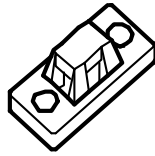
Avoid direct exposure to sunlight.  
Do not place over heat or air conditioning vents.  
Adjust levelers so that the furniture sits flat on uneven floors.  
Blot spills with a clean white cloth, do not rub.  
Do not use harsh chemicals.  
Before cleaning any part test a small spot in a hidden area.  
You may need to re-tighten all bolts after initial use.



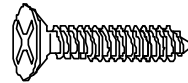
### PARTS INCLUDED:



(E) Nylon strip  
x1



(F) Bracket  
x2



(G) Screw  
[M3 x 32mm] x2



(H) Screw  
[M3 x 19mm] x2

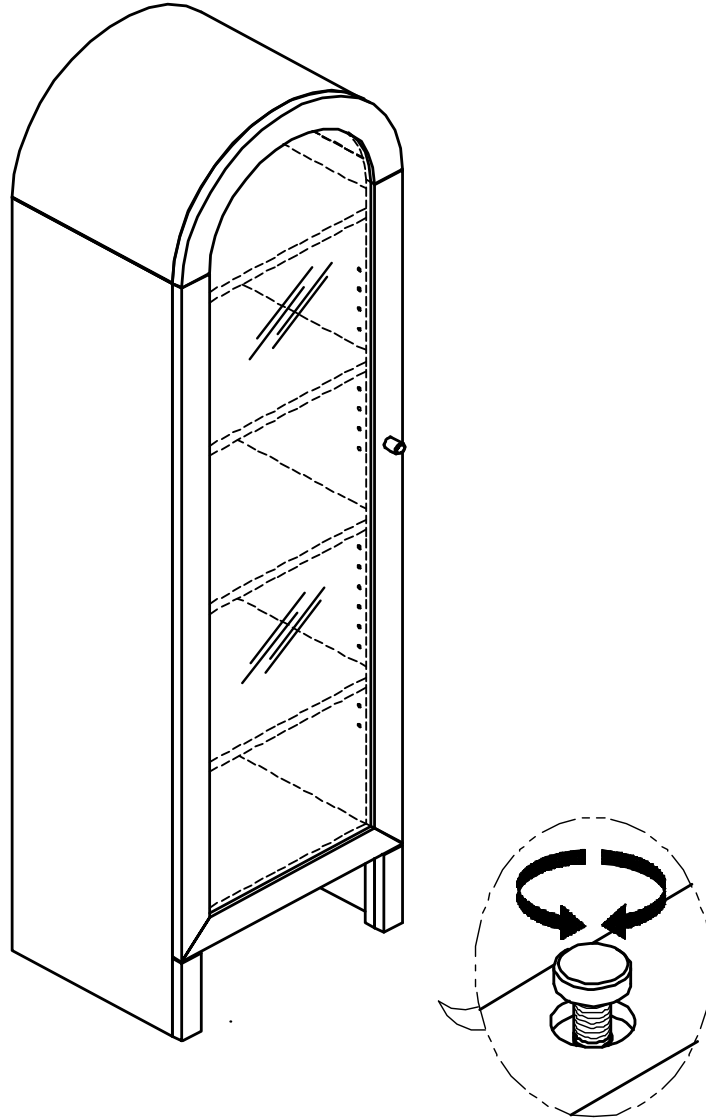
# Mason Curio Cabinet

Assembly Instructions

URBAN OUTFITTERS

STEP 1

Adjust the levelers so that the cabinet sits flat on the floor

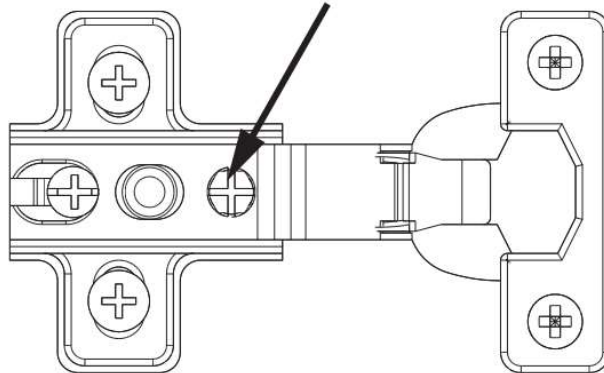


### STEP 2

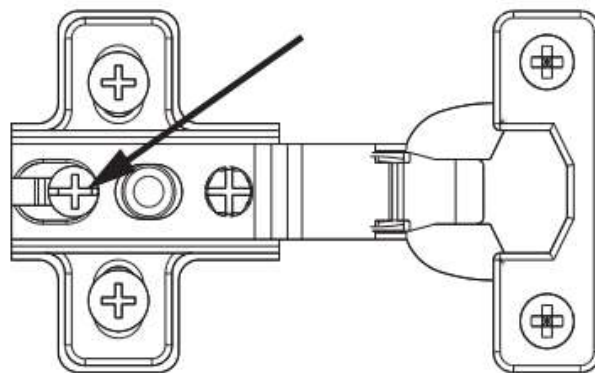
Use a Phillips head screwdriver and the diagrams below to align the doors if necessary. Perfectly aligned doors are unachievable on highly uneven floors.

### DO NOT FULLY LOOSEN THE SCREWS!

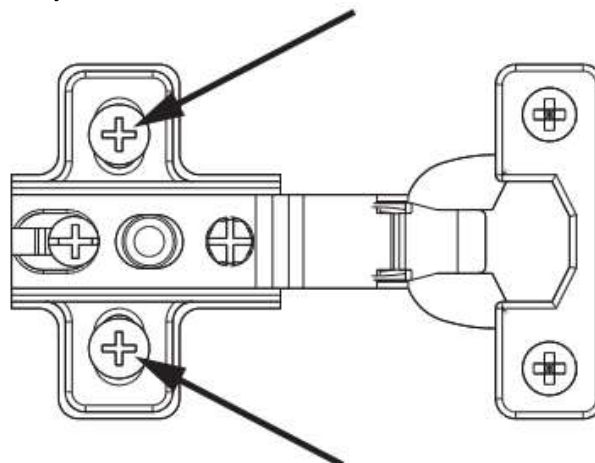
- Left & Right: Loosen / Tighten screw to adjust.



- Front to Back (depth): Loosen screw to adjust.



- Up & Down: Loosen screw to adjust.



### STEP 3

A) Align the bracket (F) to the top back of the cabinet, as shown. Insert screws (H) and tighten with a Phillips head screwdriver (not included). Place the second bracket (F) against the wall directly behind the cabinet and mark the location.

B) Wood or Stud installation:  
Insert the screws (G) through the second bracket (F). Then, use a Phillips head screwdriver to fasten the screws (G) directly into the wall at the marked location.

Drywall installation:

**Contact your local hardware store to source the correct anchor for your wall, use any screws included with wall anchor kits to attach anti-tip kit brackets to the wall.** Insert the wall anchors into the wall at the marked locations. Insert the screws (G) through the second bracket (F) and into the anchors, then tighten with a Phillips head screwdriver (not included).

C) Place the cabinet against the wall aligning the brackets (F), then run the Strap (E) through both brackets (F) and pull it tight to secure the cabinet.

