

Florence Floating Shelf

Assembly Instructions

URBAN OUTFITTERS

TOOLS REQUIRED BUT NOT INCLUDED:

Drill, Phillips head screwdriver, Hammer, Level, Pencil

WARNINGS:

Do not throw away packing materials and carton until assembly is complete.
Ensure all parts are present prior to assembly.
Contact customer service immediately if any parts are missing. Assemble all parts on a clean, smooth surface.

CARE INSTRUCTIONS:

Avoid direct exposure to sunlight.
Blot spills with clean, white cloth; do not rub.
Do Not use harsh chemicals.
Before cleaning any part test a small spot in a hidden area.
Do not over tighten the parts
You may need to re-tighten all bolts after initial use.



PARTS INCLUDED:



(A) Shelf



(B) Plastic Anchor
(D9 x 35 mm) x2



(C) Screw
(D7 x 35 mm) x2

01.14.2026

Florence Floating Shelf

Assembly Instructions

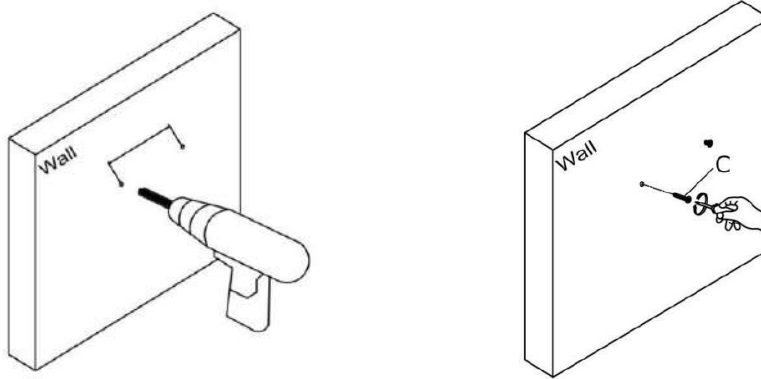
URBAN OUTFITTERS

STEP 1

Place the Shelf (A) on the wall in a chosen location. Ensure the Shelf (A) is level and mark the locations for the screw holes using the dimensions in the below diagram as reference.

Wood or Stud installation:

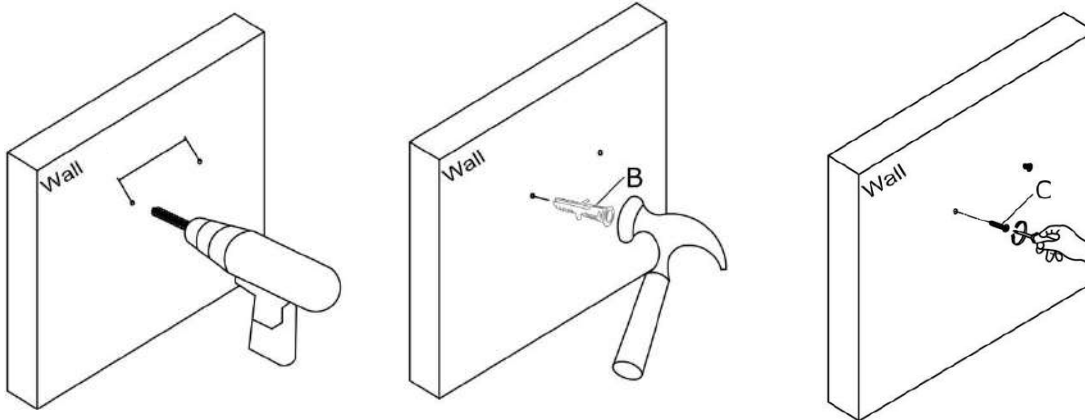
Use a Phillips head screwdriver to fasten the screws (C) directly into the wall at the marked locations. Leave 1/8 - 3/16" between the top of the screws (C) and the wall.



Drywall installation:

Insert anchors (B) into the wall at the marked locations using a drill and a hammer. Insert screws (C) into the anchors, then tighten with a Phillips head screwdriver or drill.

The included hardware is intended for attachment to drywall or wooden wall surfaces, contact your local hardware store to find the correct anchor for alternative wall-types such as stone or brick.



STEP 2

Gently hang the shelf (A) on the screws (C). If the shelf (A) slopes downward, tighten the gap between the top of the screws (C) and the wall.

