

Bow Shelf

URBAN OUTFITTERS

Assembly Instructions

TOOLS REQUIRED BUT NOT INCLUDED:

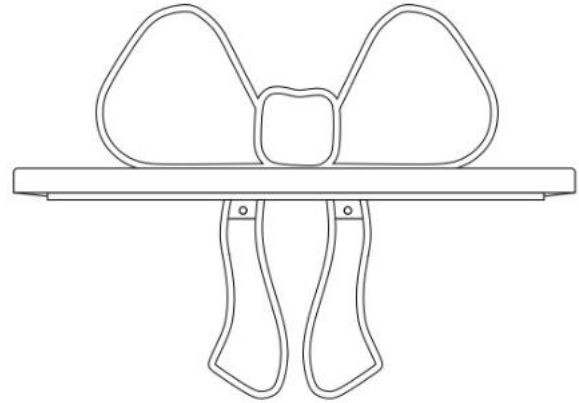
Drill, Phillips head screwdriver driver, Pencil, Level

WARNINGS:

Do not throw away packing materials and carton until after assembly.
Ensure all parts are present prior to assembly.
Contact customer service immediately if parts are missing.
Assemble all parts on a clean smooth surface.

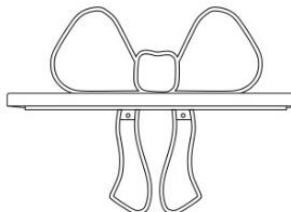
CARE INSTRUCTIONS:

Avoid direct exposure to sunlight.
Do not place over heat or air conditioning vents.
Adjust levelers so that the furniture sits flat on uneven floors.
Blot spills with a clean white cloth, do not rub.
Do not use harsh chemicals.
Before cleaning any part test a small spot in a hidden area.
You may need to re-tighten all bolts after initial use.

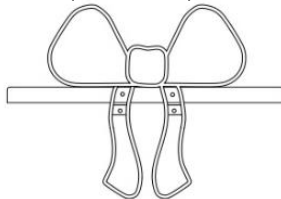


15" H x 11.75" W x 4.5" D

PARTS INCLUDED:



(FRONT VIEW)



(BACK VIEW)

(A) Shelf



(B) Plastic Anchor
[35mm] x2



(C) Screw
[38 mm] x2

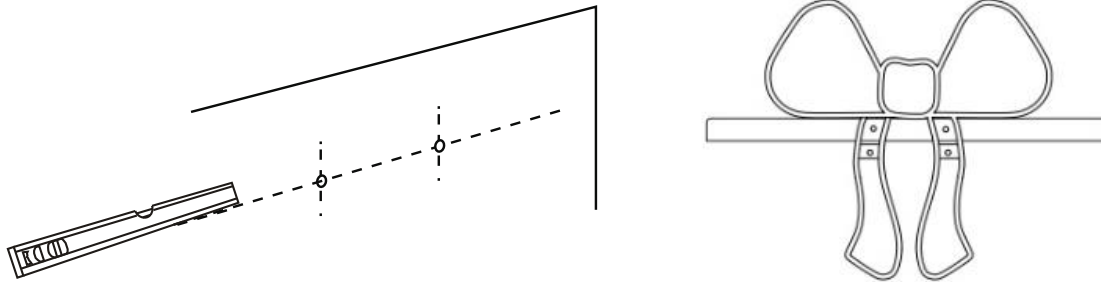
Bow Shelf

Assembly Instructions

URBAN OUTFITTERS

STEP 1

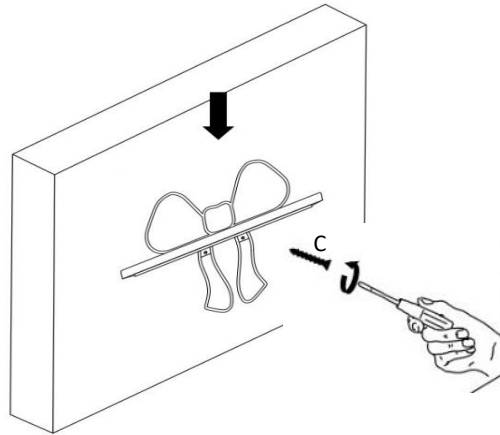
Place the Shelf (A) on the wall in a desired location and ensure it is level.



STEP 2

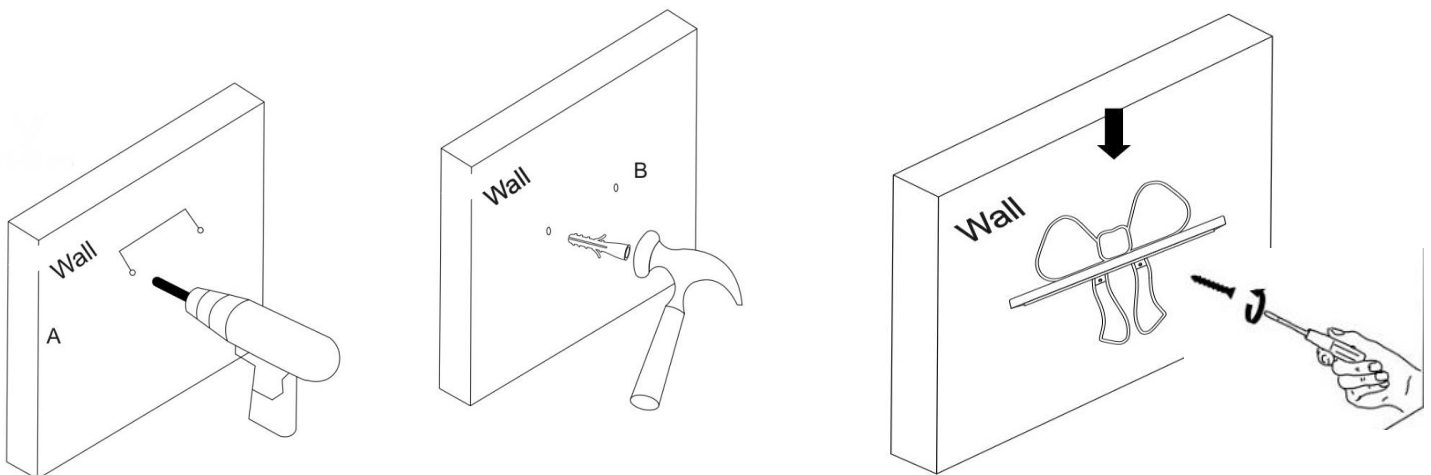
Wood or Stud installation:

Use a Phillips head screwdriver to fasten the shelf (A) directly to the wall using the screws (C) and a Phillips head screwdriver or drill (not included).



Drywall installation:

Mark the location of the screw holes in the shelf (A) on the wall. Insert anchors (B) into the wall at the marked locations using a drill and a hammer (not included). Insert screws (C) into the anchors, then tighten with a phillips head screwdriver (not included).



The included hardware is intended for attachment to drywall or wooden wall surfaces, contact your local hardware store to find the correct anchor for alternative wall-types such as stone or brick.