

Noah Headboard

Assembly Instructions

URBAN OUTFITTERS

TOOLS REQUIRED BUT NOT INCLUDED:

Phillips head screwdriver /drill, Pencil, Level, Stud finder

WARNINGS:

Do not throw away packing materials and carton until after assembly.

Assemble all parts on a clean smooth surface

CARE INSTRUCTIONS:

Avoid direct exposure to sunlight. Do not place over heat or air conditioning vents.

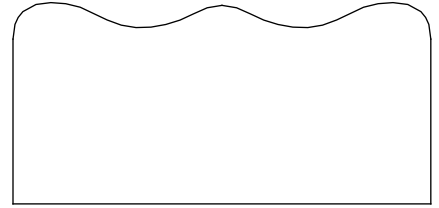
Adjust levelers so that the furniture sits flat on uneven floors.

Blot spills do not rub, with a clean white cloth.

Do not use harsh chemicals.

Before cleaning any part test a small spot in a hidden area.

You may need to re-tighten all bolts after initial use.



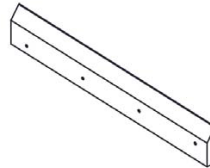
PARTS INCLUDED:



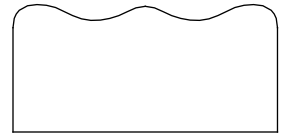
(A) Anchor x1
[12x12x42mm] x4



(B) Screw x1
[4x4x38mm] x4



(C) Cleat x1



(D) Headboard x1

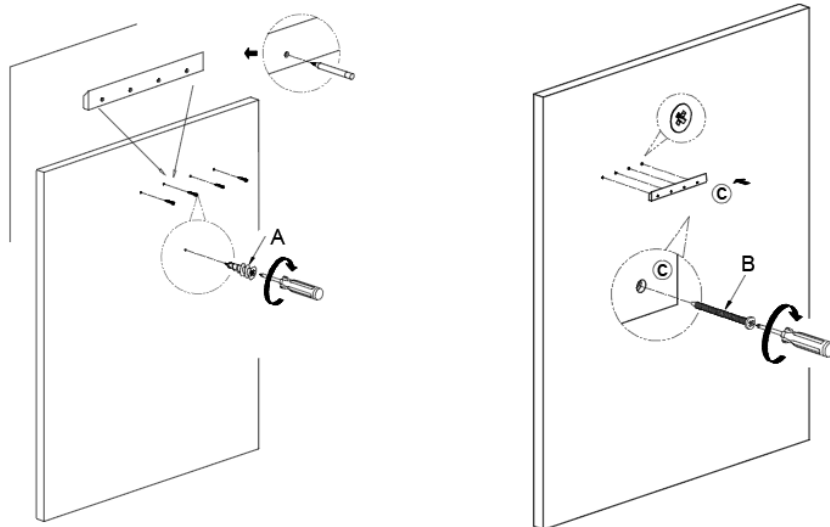
Noah Headboard

Assembly Instructions

URBAN OUTFITTERS

STEP 1

Place the cleat on the wall in its desired location. Ensure the cleat is level and mark the location of the screw holes. If attaching to drywall, insert the anchors (A) into the wall at the marked hole locations, then insert screws (B) through the cleat into the anchors (A). Tighten with a phillips head screwdriver. If screwing into studs, no anchor is required.



STEP 2

With help, hang the headboard (D) onto Cleat (C) to complete assembly.

