

# Jasper Nightstand

## Assembly Instructions

URBAN OUTFITTERS

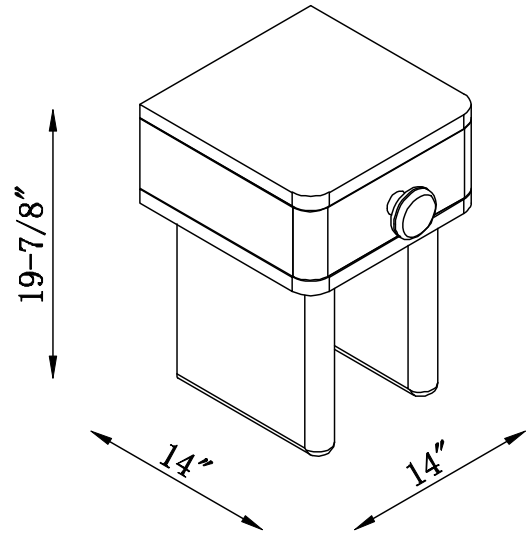
TOOLS REQUIRED BUT NOT INCLUDED:  
Phillips head screwdriver

### WARNINGS:

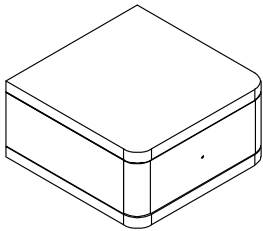
Do not throw away packing materials and carton until after assembly.  
Ensure all parts are present prior to assembly.  
Contact customer service immediately if parts are missing.  
Assemble all parts on a clean smooth surface.

### CARE INSTRUCTIONS:

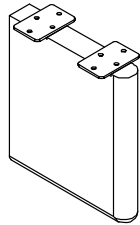
Avoid direct exposure to sunlight.  
Do not place over heat or air conditioning vents.  
Adjust levelers so that the furniture sits flat on uneven floors.  
Blot spills with a clean white cloth, do not rub.  
Do not use harsh chemicals.  
Before cleaning any part test a small spot in a hidden area.  
You may need to re-tighten all bolts after initial use.



### PARTS INCLUDED:



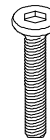
(A) Drawer  
x1



(B) Leg  
x2



(C) Hex key  
x1



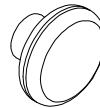
(D) Bolt  
[1/4" x 1"] x8



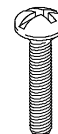
(E) Spring washer  
[1/4"] x8



(F) Flat washer  
[1/4"] x8



(G) Drawer pull  
x1



(H) Screw  
[5/32" x 1-2/5"] x1

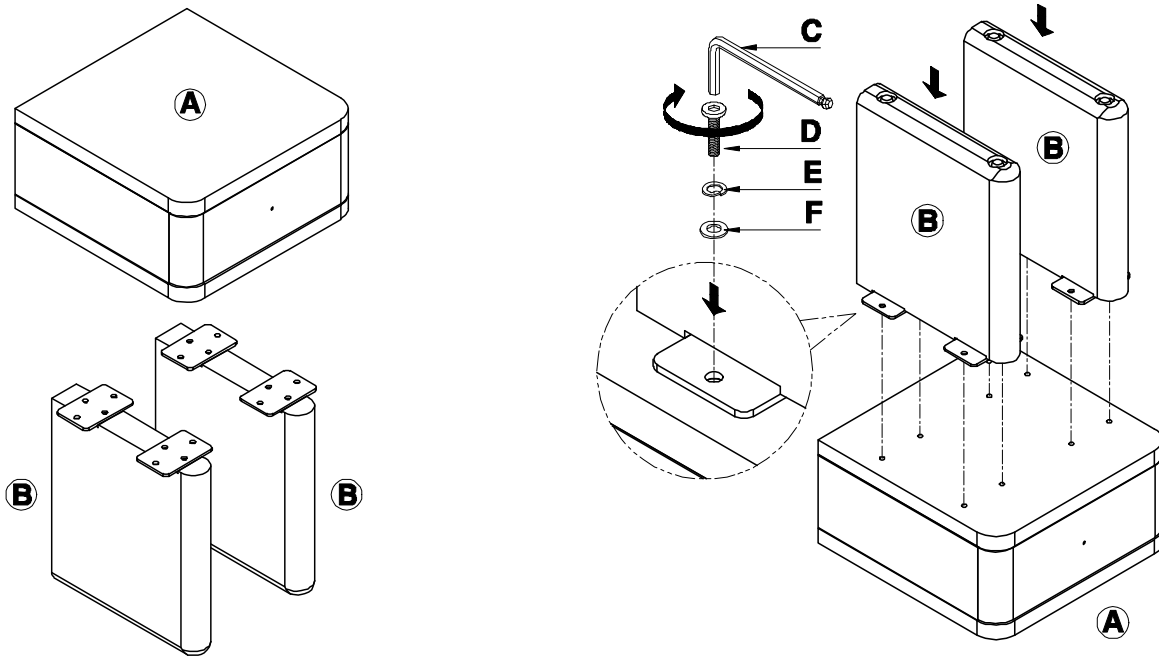
# Jasper Nightstand

## Assembly Instructions

URBAN OUTFITTERS

### STEP 1

Place the drawer (A) upside down. Align the leg (B) with the holes in the bottom of drawer (A). Ensure the leg (B) is pointed out, as shown below. Insert flat washers (F), spring washers (E) and bolts (D). Tighten with supplied hex key (C). Do not over tighten.



### STEP 2

Use a Phillips head screwdriver to unscrew the screw (H) attached to the inside of the drawer pull (G). Align the drawer pull (G) to the hole in the front of the drawer and insert the screw (H) through the back. Tighten the screw (H) with a Phillips head screwdriver, do not over tighten. Turn the adjustable feet so the Nightstand sits flat on the ground.

