

Tara Bookshelf

URBAN OUTFITTERS

Assembly Instructions

TOOLS REQUIRED BUT NOT INCLUDED:

Phillips head screwdriver, Drill , Hammer, Pencil

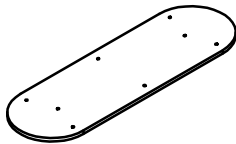
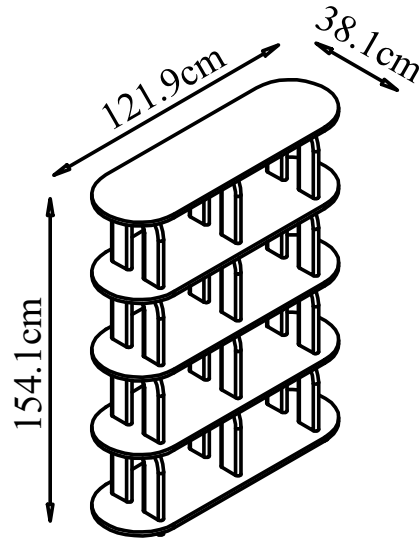
WARNINGS:

Do not throw away packing materials and carton until after assembly.
 Ensure all parts are present prior to assembly.
 Contact customer service immediately if parts are missing.
 Assemble all parts on a clean smooth surface.
 Two people recommended for assembly.
 Anti-Tip Hardware must be in place to ensure safety from tipping.

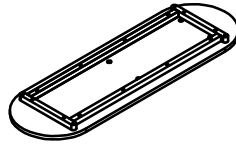
CARE INSTRUCTIONS:

Avoid direct exposure to sunlight.
 Do not place over heat or air conditioning vents.
 Adjust levelers so that the furniture sits flat on uneven floors.
 Blot spills with a clean white cloth, do not rub.
 Do not use harsh chemicals.
 Before cleaning any part test a small spot in a hidden area.
 You may need to re-tighten all bolts after initial use.

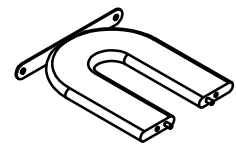
PARTS INCLUDED:



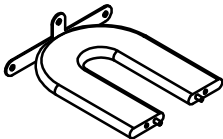
1) Top Panel
 (48 x 15 x 0.7") x 1
 or
 (121.9 x 38.1 x 1.8cm)



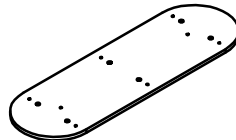
2) Bottom Panel
 (48 x 15 x 1.8") x 1
 or
 (121.9 x 38.1 x 4.5cm)



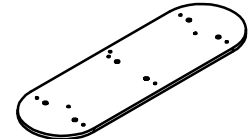
3) Legs
 (14 x 12.5 x 1.5") x 4
 or
 (35.6 x 31.8 x 3.8 cm)



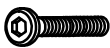
4) Legs
 (14 x 12.5 x 3.5") x 8
 or
 (35.6 x 31.8 x 8.8 cm)



5) Shelves
 (48 x 15 x 0.7") x 2
 or
 (121.9 x 38.1 x 1.8cm)



6) Middle shelf
 (48 x 15 x 0.7") x 1
 or
 (121.9 x 38.1 x 1.8cm)



A) Bolt
 (D 0.47 / 0.24 x 1.38") x 24
 or
 (D 12 / 6 x 35 mm)



B) Spring Washer
 (D 0.47 / 0.24 x 0.08") x 25
 or
 (D 12 / 6 x 2 mm)



C) Flat Washer
 (D 0.63 / 0.24 x 0.08") x 26
 or
 (D 16 / 6 x 2 mm)



D) Allen Key
 (D 0.16 x 2.32") x 1
 or
 (D 4 x 59 mm)

Tara Bookshelf

Assembly Instructions

URBAN OUTFITTERS

PARTS INCLUDED:



E) Bolt
(D 0.47 / 0.24 x 0.59") x 33 or
(D 12 / 6 x 15 mm)



F) L Shaped Metal Bracket
(2.76 x 0.79 x 0.08") x 1
or
(70 x 20 x 2 mm)



G) Plastic Anchor
(D 0.35 x 1.38") x 1
or
(D 9 x 35 mm)



H) Screw
(D 0.16 x 1.18") x 1
or
(D 4 x 30mm)

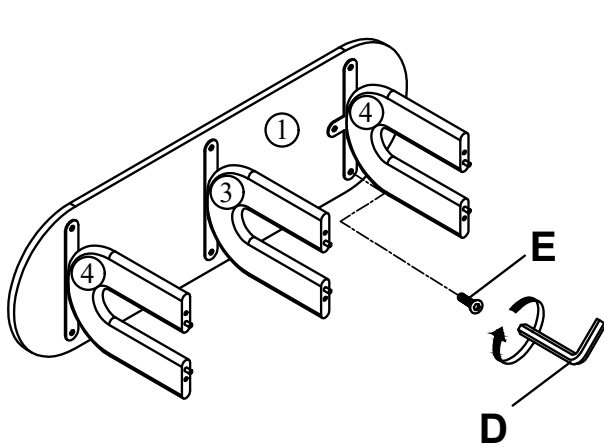
Tara Bookshelf

Assembly Instructions

URBAN OUTFITTERS

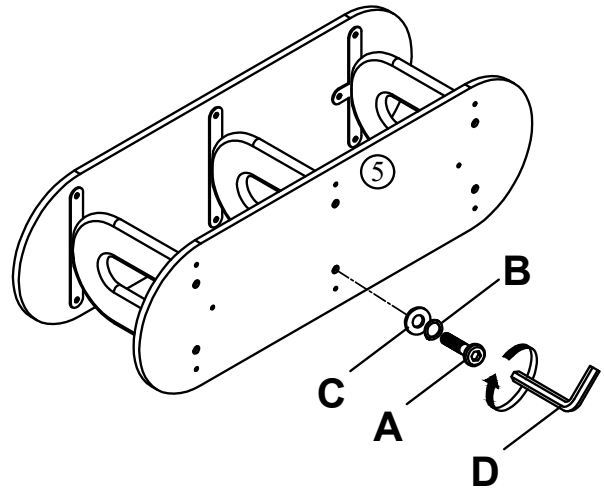
STEP 1

Attach the top panel (1) to legs (3)&(4) with bolts (E) and Allen key (D) as shown. **Do not over-tighten!**



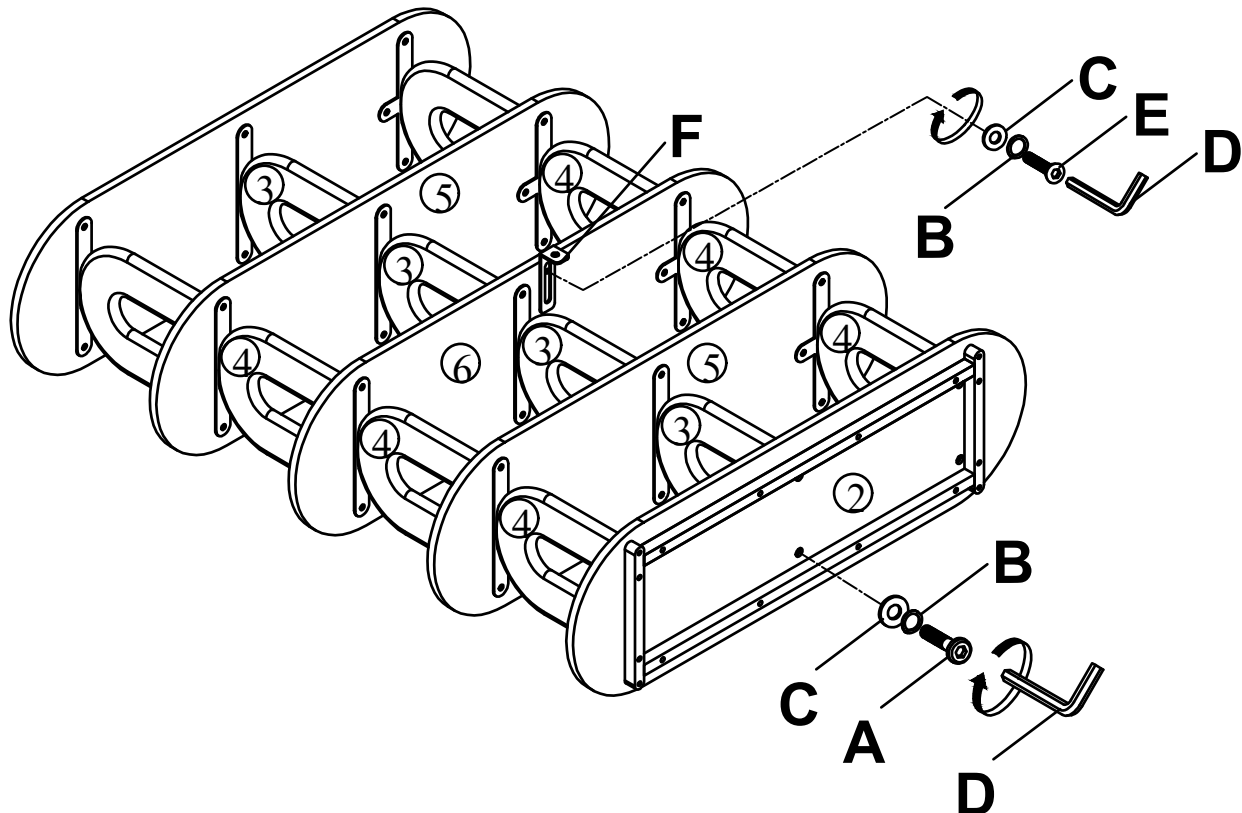
STEP 2

Attach one shelf (5) to legs (3)&(4) with the bolts (A), spring washers (B), flat washers (C) and Allen key (D) as shown.



STEP 3

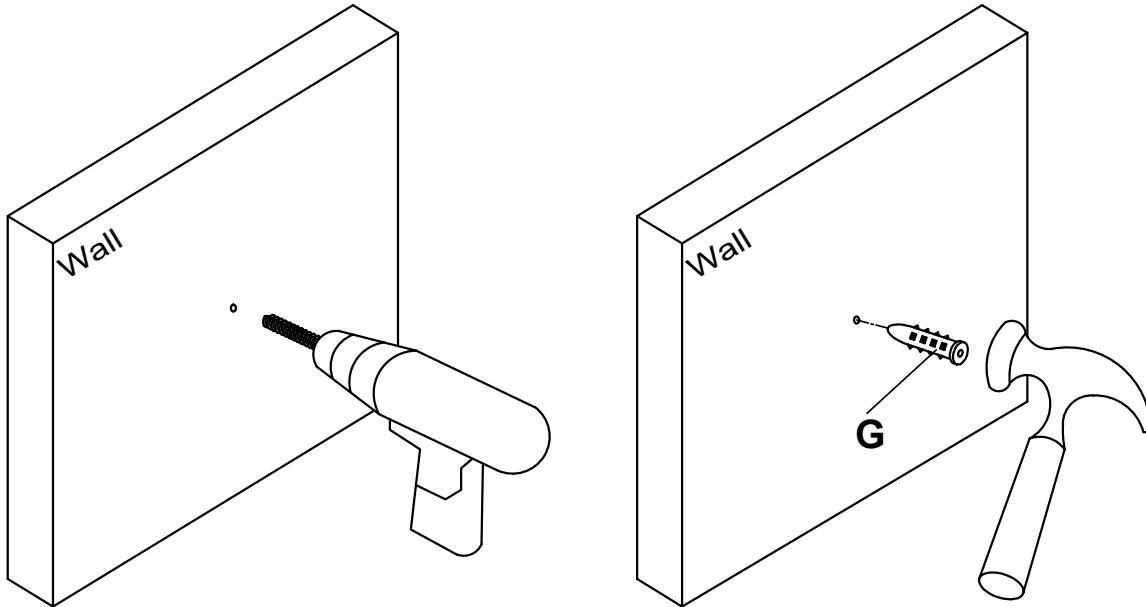
Attach the middle shelf (6) and additional shelves (5) to legs (3)&(4) as shown. Use bolts (A), spring washers (B) and flat washers (C) to attach the shelves and bottom panel (2) to the bottom of the legs (3)&(4). Use the bolts (E) to attach the metal bracket on the legs (3)&(4) to the bottom of the shelves. Attach the bottom panel (2) last. Use bolt (E), spring washers (B), flat washers (C) and Allen key (D) to attach the L shaped metal bracket (F) to the middle shelf (6) as shown. With help, flip the shelf upright, ensuring the entire weight is supported.



STEP 4

Place the furniture on the wall in its preferred location. Ensure the furniture is level and mark the location of the mounting hole in the L shaped metal bracket (F) on the wall. Pre-drill a hole for the plastic anchor (G) at the marked hole location using a drill and use a hammer to tap it into the wall.

The included hardware is intended for attachment to drywall or wooden wall surfaces, contact your local hardware store to find the correct anchor for alternative wall-types such as stone or brick.



STEP 5

Place the furniture back over the plastic anchor (G) and insert screw (H) with flat washer (C) as shown. Tighten with a Phillips head screwdriver to complete the installation.

