

# MAYA MINIATURE SHELF

URBAN OUTFITTERS

## Assembly Instructions

---

### TOOLS REQUIRED BUT NOT INCLUDED:

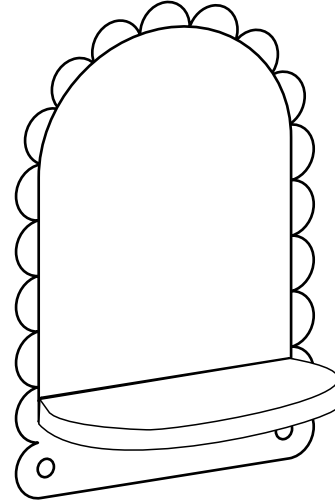
Hammer, Drill, Phillips head screwdriver, Pencil

### WARNINGS:

Do not throw away packing materials and carton until after assembly.  
Ensure all parts are present prior to assembly.  
Contact customer service immediately if parts are missing.  
Assemble all parts on a clean smooth surface.

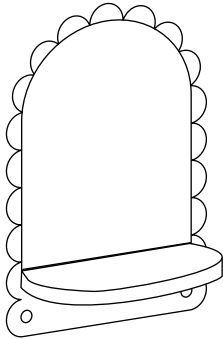
### CARE INSTRUCTIONS:

Avoid direct exposure to sunlight.  
Do not place over heat or air conditioning vents.  
Blot spills with a clean white cloth, do not rub.  
Do not use harsh chemicals.  
Before cleaning any part test a small spot in a hidden area.  
You may need to re-tighten all bolts after initial use.



### PARTS INCLUDED:

---



(A) Shelf x 1

[3.25" x 2.35" x 4.63"]  
or  
[83 x 60 x 117 mm]



(B) Plastic Anchor x 2

[D0.35" x 1.38" ] x2  
or  
[D9 x 35 mm ] x2



(C) Screw x 2

[D0.30" x 1.38"] x2  
or  
[D8 x 35 mm] x2

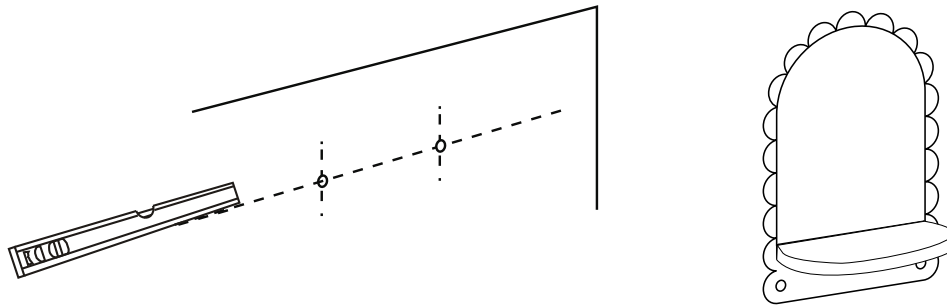
# MAYA MINIATURE SHELF

URBAN OUTFITTERS

## Assembly Instructions

### STEP 1

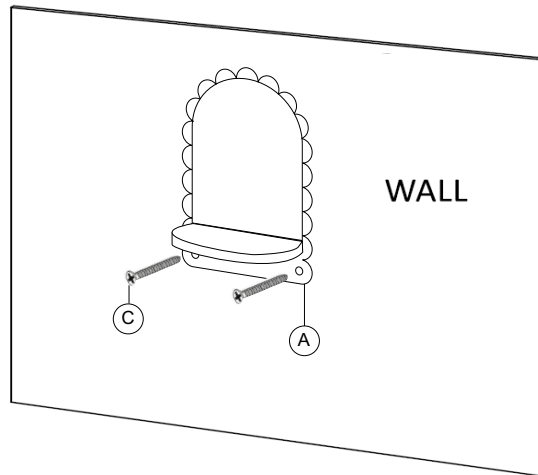
Place the Shelf (A) on the wall in a desired location and ensure it is level.



### STEP 2

Wood or Stud installation:

Use a Phillips head screwdriver to fasten the shelf (A) directly to the wall using the screws (C) and a Phillips head screwdriver or drill (not included).



Drywall installation:

Mark the location of the screw holes in the shelf (A) on the wall. Insert anchors (B) into the wall at the marked locations using a drill and a hammer (not included). Insert screws (C) into the anchors, then tighten with a phillips head screwdriver (not included).

