

SILAS CONSOLE

URBAN OUTFITTERS

Assembly Instructions

TOOLS REQUIRED BUT NOT INCLUDED:

Phillips head screw driver, Pencil

WARNINGS:

Do not throw away packing materials and carton until after assembly.
Assemble all parts on a clean smooth surface

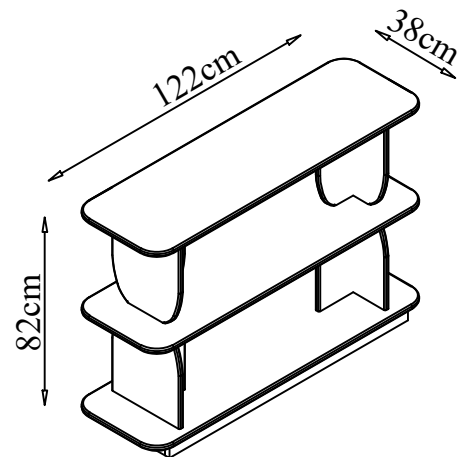
CARE INSTRUCTIONS:

Avoid direct exposure to sunlight. Do not place overheat or air conditioning vents. Adjust levelers so that the furniture sits flat on uneven floors. Blot spills do not rub, with a clean white cloth.

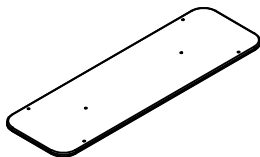
Do not use harsh chemicals.

Before cleaning any part test a small spot in a hidden area.

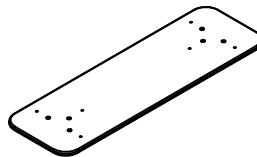
You may need to re-tighten all bolts after initial use.



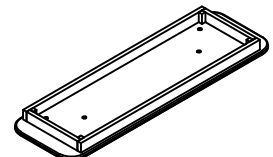
PARTS INCLUDED:



1) Top Panel
(48 x 15 x 0.7") x 1
or
122 x 38 x 1.8 cm



2) Shelf
(48 x 15 x 0.7") x 1
or
122 x 38 x 1.8 cm



3) Bottom
(48 x 15 x 2.7") x 1
or
122 x 38 x 6.8 cm



4) Leg
(14 x 12 x 7") x 2
or
35.5 x 20.5 x 17 cm



5) Leg
(14 x 12 x 7") x 2
or
35.5 x 20.5 x 17 cm



A) Bolt
(D 0.47 / 0.24 x 1.18") x 12
or
(D 12 / 6 x 30 mm)



B) Spring Washer
(D 0.47 / 0.24 x 0.08") x 12
or
(D 12 x 6 x 2 mm)



C) Flat Washer
(D 0.63 / 0.24 x 0.08") x 12
or
(D 16 x 6 x 2 mm)



D) Allen Key
(D 0.16 x 2.32") x 1
or
(D 4 x 59 mm)



E) Bolt
(D 0.47 / 0.24 x 0.59") x 12
or
(D 12 / 6 x 15 mm)



F) L Shaped Met
(2.76 x 0.79 x 0.08") x 1
or
(70 x 20 x 2 mm)



G) Plastic Anch
(D 0.35 x 1.38") x 1
or
(D9 x 35 mm)



H) Screw
(D 0.16 x 1.18") x 1
or
(D 4 x 30 mm)

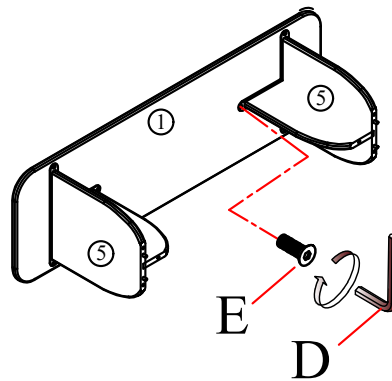
SILAS CONSOLE

Assembly Instructions

URBAN OUTFITTERS

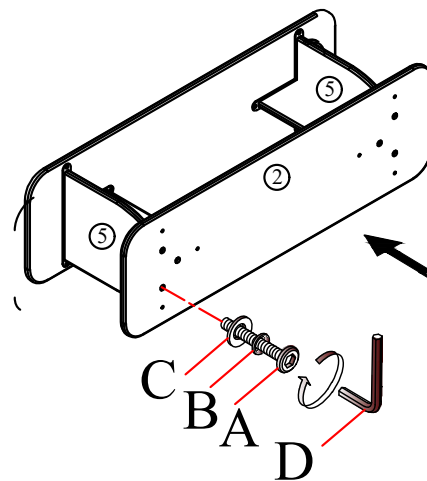
STEP 1

Assemble the top panel (1) to two legs (5) with bolt (E) and Allen key (D) as shown.



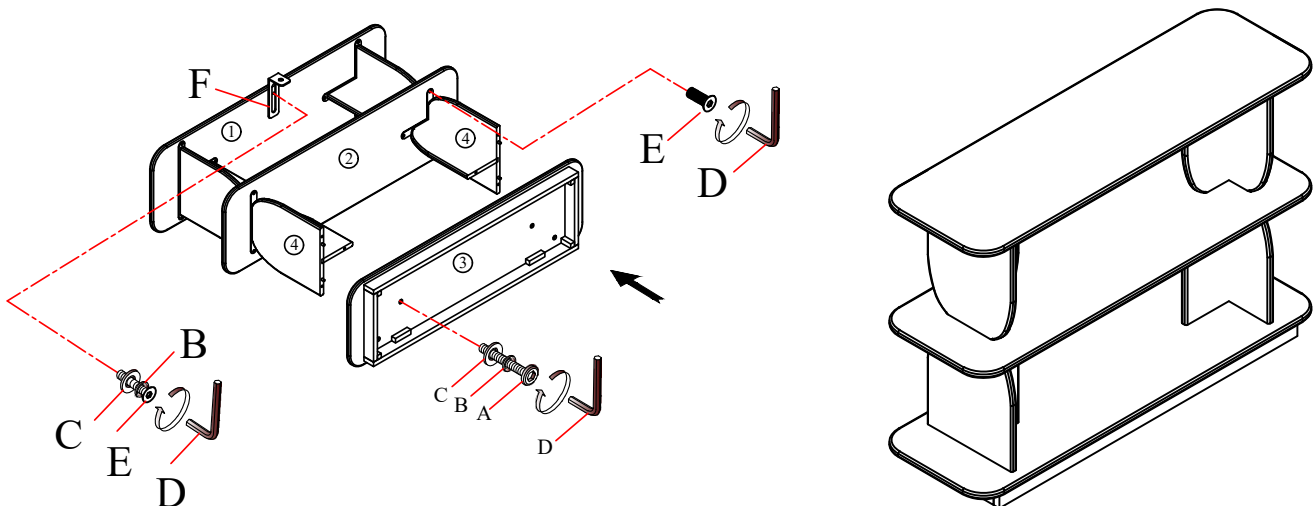
STEP 2

Attach the shelf (2) with bolts (A), flat washers (C), and spring washers (B) using Allen key (D) as shown.



STEP 3

Attach two legs (4) with bolt (E) and Allen key (D) as shown. Then attach the bottom (3) to two legs (4) with bolts (A), flat washers (C), and spring washers (B) using Allen key (D) as shown. Place the L shaped metal bracket (F) below the top shelf as shown and attach with bolts (A), flat washers (C), and spring washers (B) using Allen key (D). With help, flip the console upright to finish assembly.



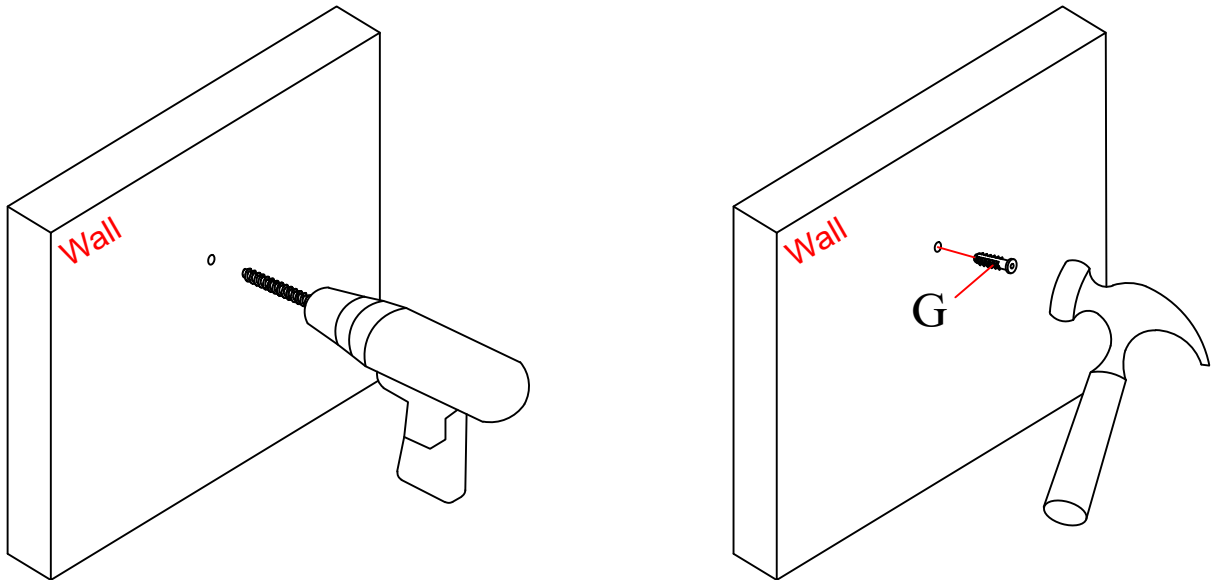
SILAS CONSOLE

Assembly Instructions

URBAN OUTFITTERS

STEP 5

Place the console on the wall in its desired location. Ensure the console is level and mark the location of the mounting hole in the L shaped metal on the wall. Pre-drill hole for the plastic anchor (G) at the marked hole location using a drill and use a hammer to tap it into the wall.



STEP 6

Place the console back over the plastic anchor (G) and insert screw (H) as shown. Tighten with a screwdriver to complete the installation.

