

# Daya Entry Console

# URBAN OUTFITTERS

## Assembly Instructions

### TOOLS REQUIRED BUT NOT INCLUDED:

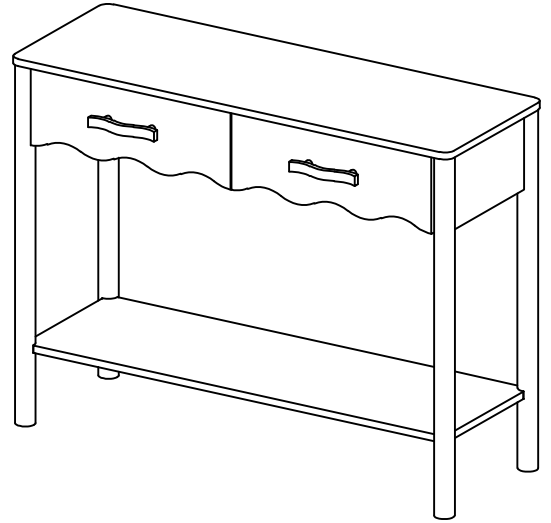
Drill, Phillips head screwdriver, Hammer, Level, Pencil

### WARNINGS:

Do not throw away packing materials and carton until after assembly.  
Ensure all parts are present prior to assembly.  
Contact customer service immediately if parts are missing.  
Assemble all parts on a clean smooth surface.

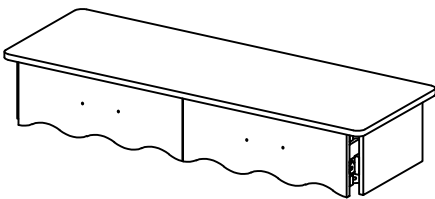
### CARE INSTRUCTIONS:

Avoid direct exposure to sunlight.  
Do not place over heat or air conditioning vents.  
Adjust levelers so that the furniture sits flat on uneven floors.  
Blot spills with a clean white cloth, do not rub.  
Do not use harsh chemicals.  
Before cleaning any part test a small spot in a hidden area.  
You may need to re-tighten all bolts after initial use.

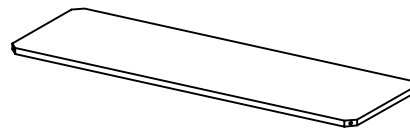


39 3/8"W x 13 3/4"D x 30"H

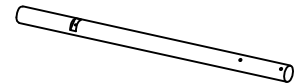
### PARTS INCLUDED:



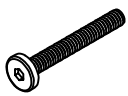
(A) Top frame x1



(B) Shelf panel x1



(C) Leg x4



(D) Bolt  
[M6 x 60mm] x8



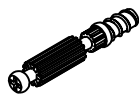
(E) Spring washer x8



(F) Flat washer x8



(G) Allen key x1



(H) Cam bolt  
[Ø7 x 44mm] x4



(I) Cam lock  
[Ø15 x 13mm] x4



(J) Screw  
[04 x 30mm] x2



(K) Plastic anchor  
[06 x 30mm] x2



(L) Mounting bracket x1



(M) Plastic strap x1

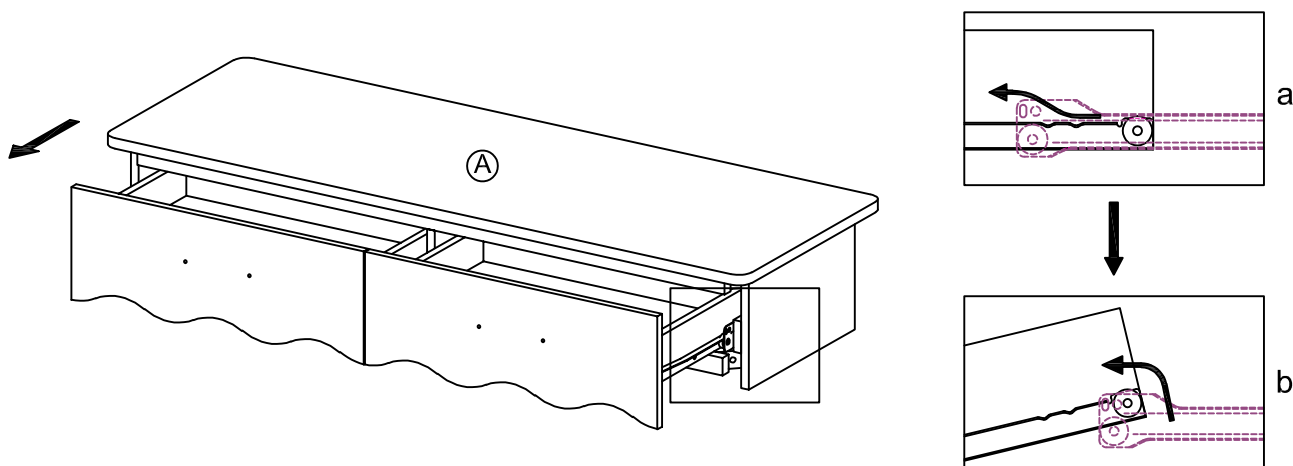
# Daya Entry Console

# URBAN OUTFITTERS

## Assembly Instructions

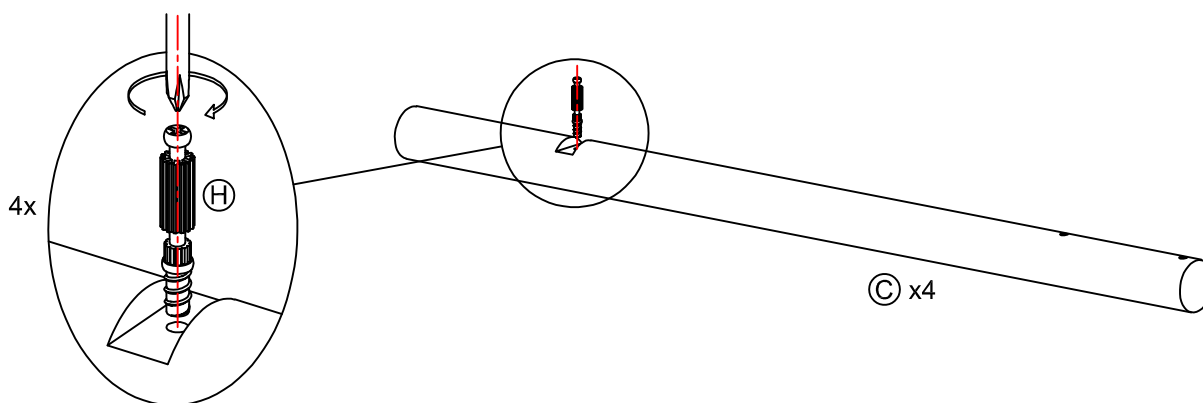
### STEP 1

Carefully unpack the nightstand parts on a clean soft surface. Use the diagram below to remove the drawers.



### STEP 2

Insert cam bolts (H) to Legs (C) then fastening all cam bolts securely using phillips head screwdriver.



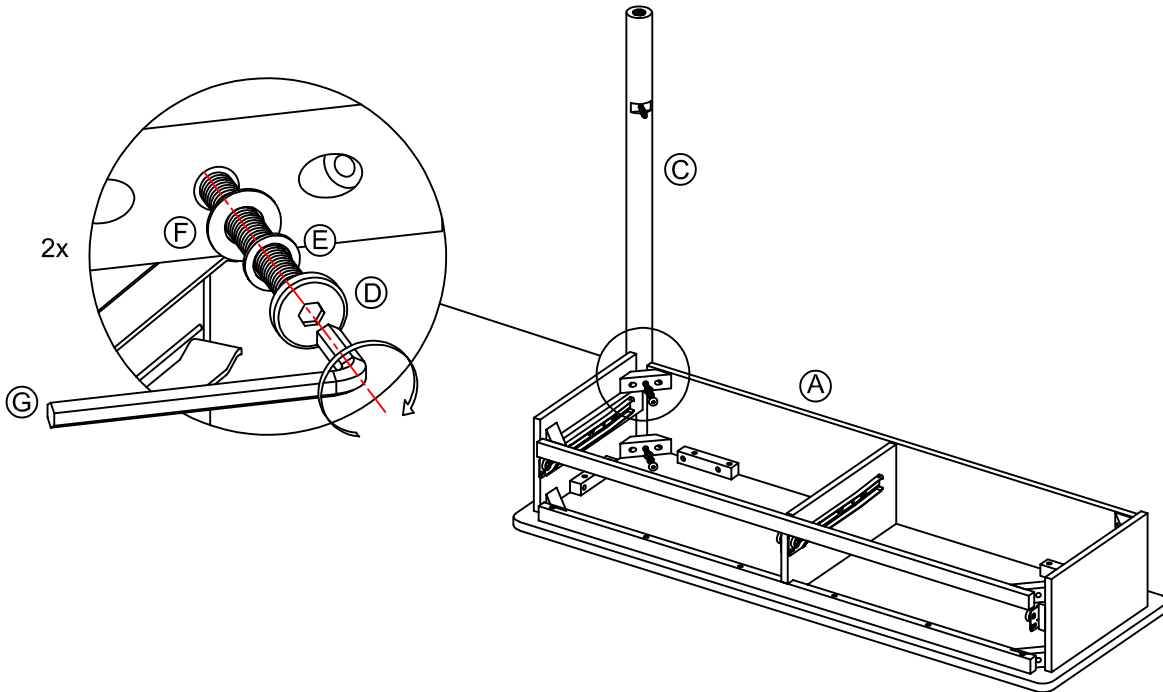
# Daya Entry Console

# URBAN OUTFITTERS

## Assembly Instructions

### STEP 3

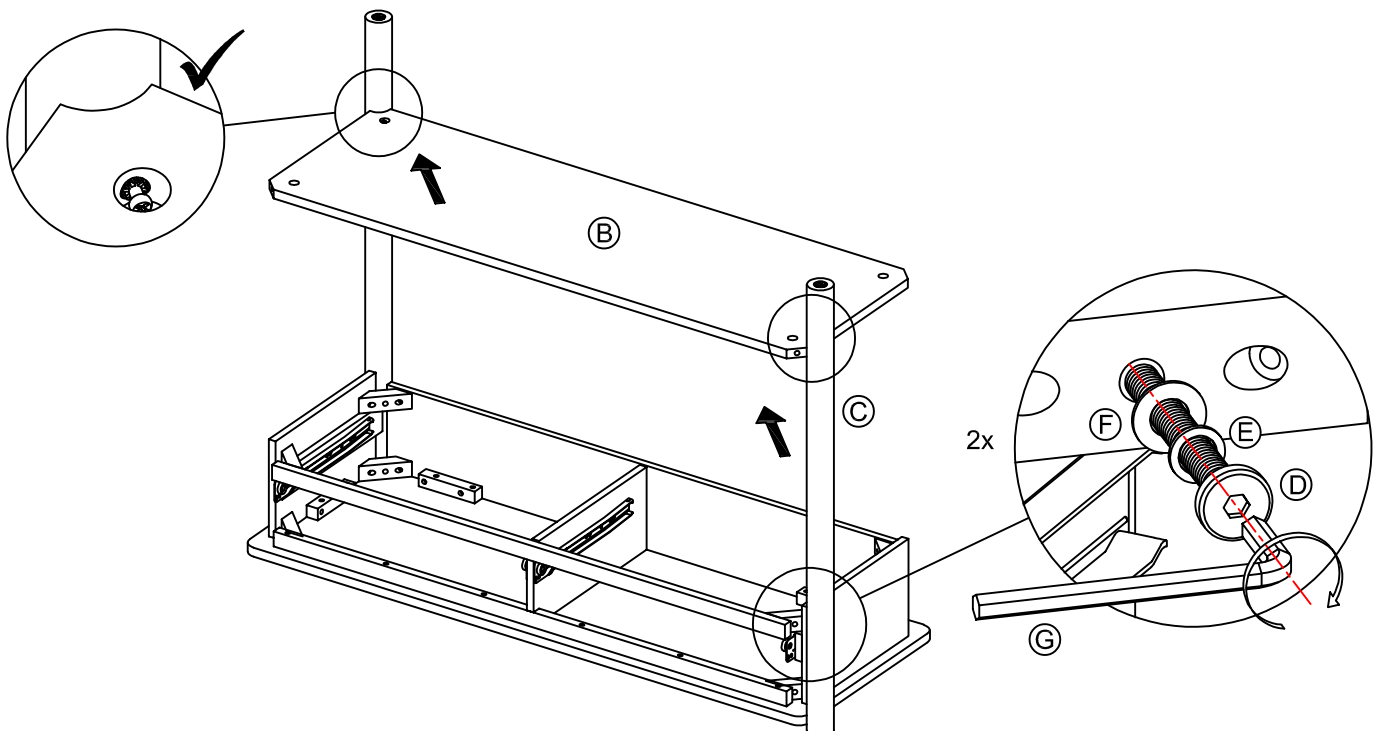
Place the top (A) upside down. Align leg (C) with top (A) and insert bolts (D) spring washers (E) and flat washers (F) as shown then, tighten with the supplied allen key (G).



### STEP 4

Attach shelf panel (B) into leg (C).

Attach leg (C) to top frame (A) and shelf panel (B) by using bolts (D) with spring washers (E) and flat washers (F) then fastening all bolts securely using allen key (G).



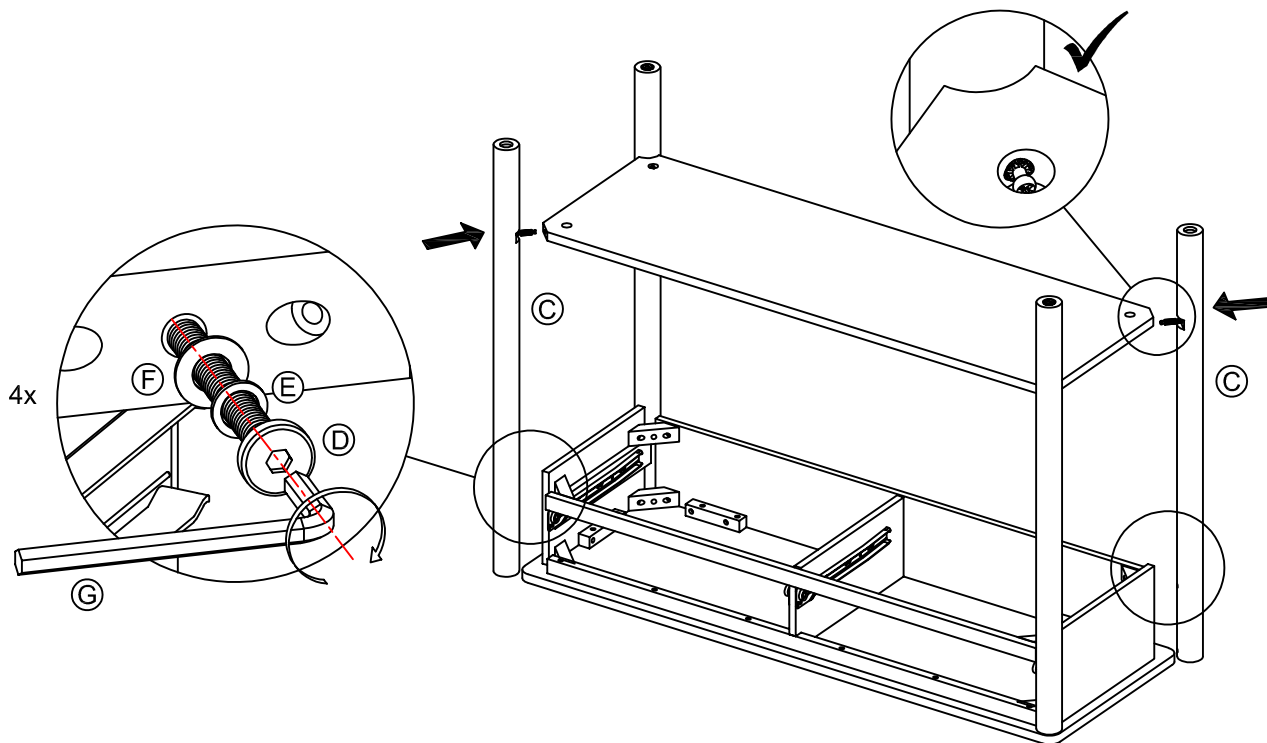
# Daya Entry Console

# URBAN OUTFITTERS

## Assembly Instructions

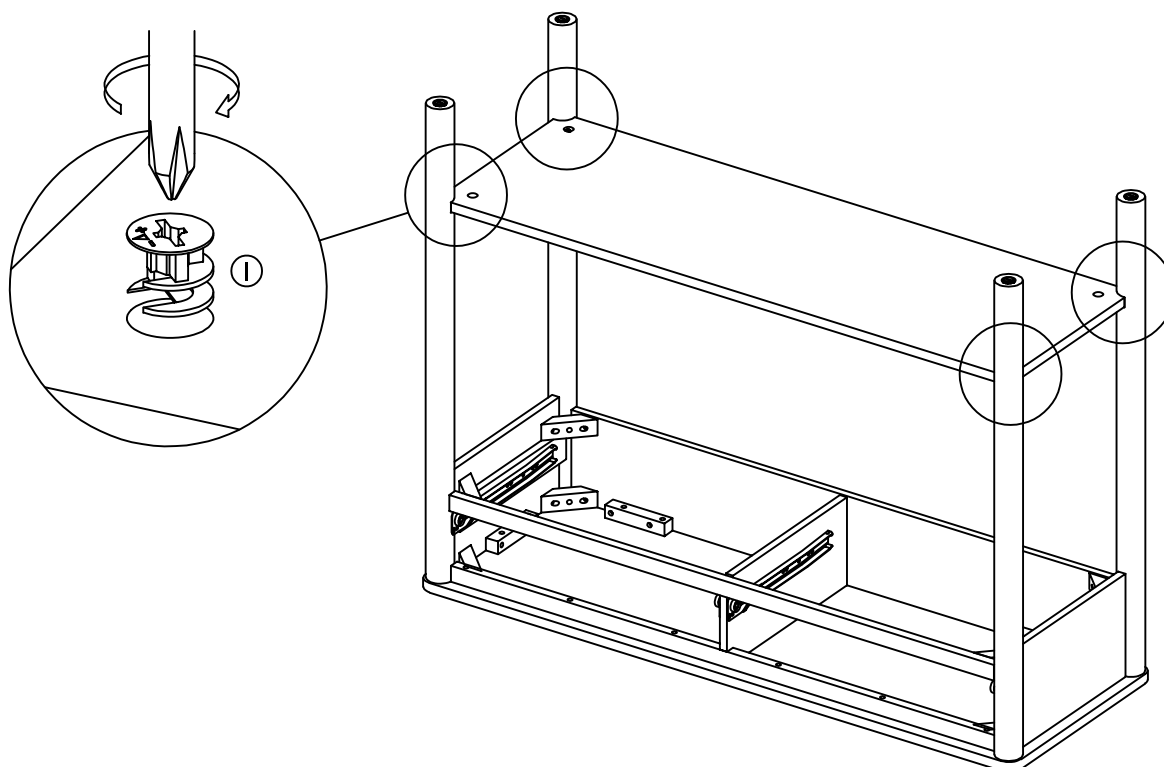
### STEP 5

Attach two leg (C) to top frame (A) and shelf panel (B) by using bolts (D) with spring washers (E) and flat washers (F) then fastening all bolts securely using allen key (G).



### STEP 6

Connect the shelf panel to legs using cam locks (I), then fastening all cam locks securely using phillips head screwdriver.



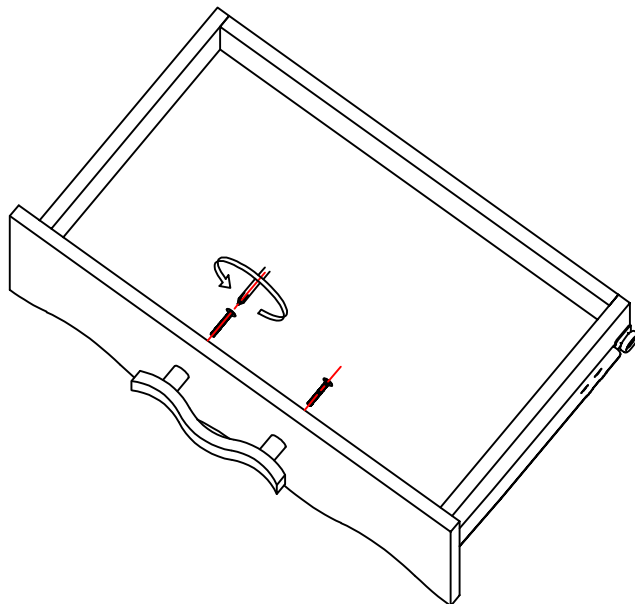
# Daya Entry Console

# URBAN OUTFITTERS

## Assembly Instructions

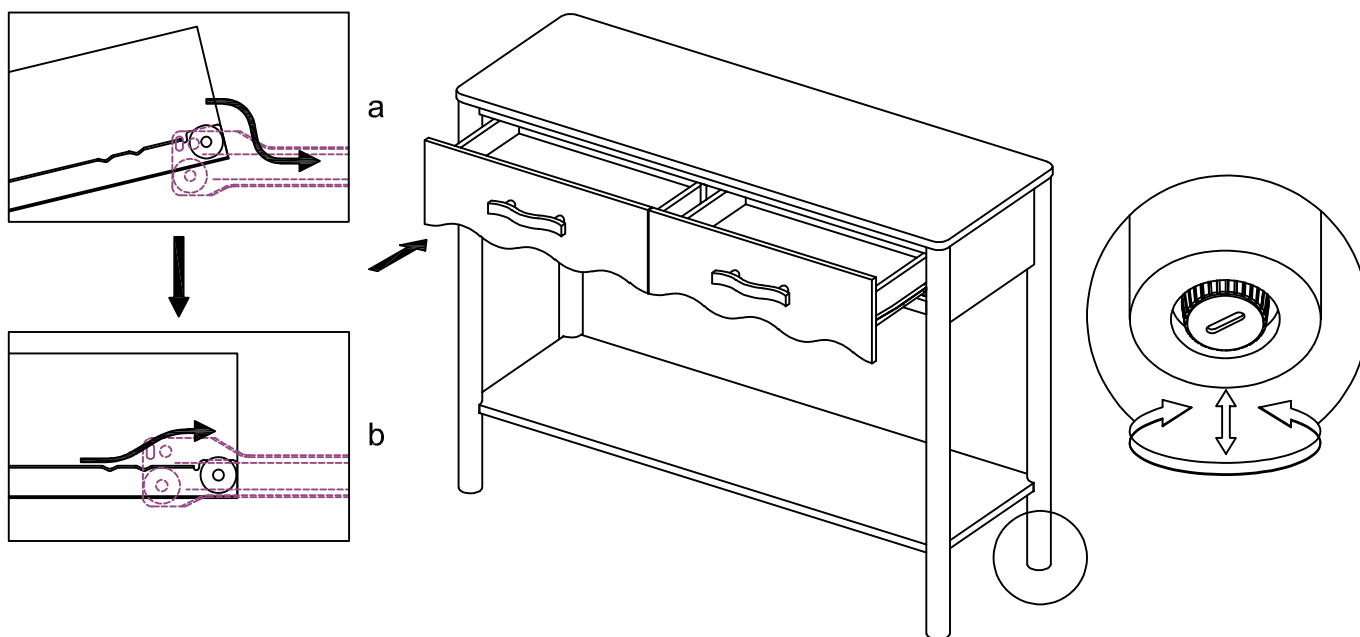
### STEP 7

Use a Phillips head screwdriver to remove the drawer handle pre-installed on the inside of the drawers. Place the drawers handles on the face of the drawers and re-attach it with the original screws and a phillips head screwdriver.



### STEP 8

Use the diagram below to re-install the drawer. Adjust the levelers on the bottom of the legs (C) to accommodate uneven floors.



# Daya Entry Console

# URBAN OUTFITTERS

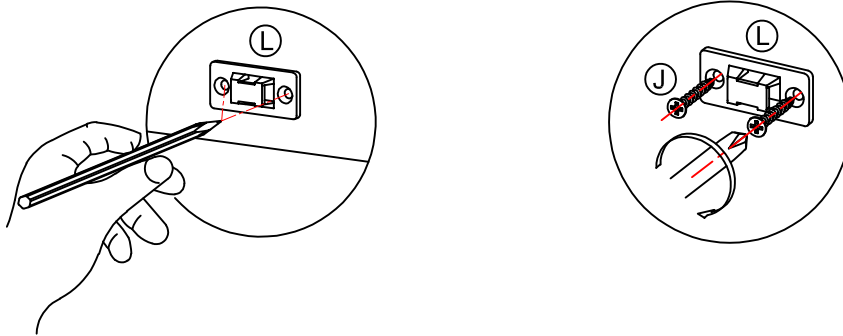
## Assembly Instructions

### STEP 9

Place the console table against the wall in a preferred location. Mark location for mounting bracket (L) on wall.

#### Wood or Stud Installation:

Insert screws (J) through the mounting bracket (L) into the wall and tighten with a phillips head screwdriver or drill.



#### Drywall Installation:

Move the nightstand away from the wall. Attach the drywall anchor (K) to the wall at the marked location using a drill and hammer. Insert screws (J) through the mounting bracket (L) into the wall and tighten with a phillips head screwdriver or drill. Move the console table into position, align the mounting brackets and lace the restraint strap (M) through the large hole in each mounting bracket.

**The included hardware is intended for attachment to drywall or wooden studs, contact your local hardware store to find the correct anchor for alternative wall-types such as stone or brick.**

