

RYAN COFFEE TABLE

URBAN OUTFITTERS

Assembly Instructions

TOOLS REQUIRED BUT NOT INCLUDED: N/A

Do not throw away packing materials and carton until after assembly. Assemble all parts on a clean smooth surface

CARE INSTRUCTIONS:

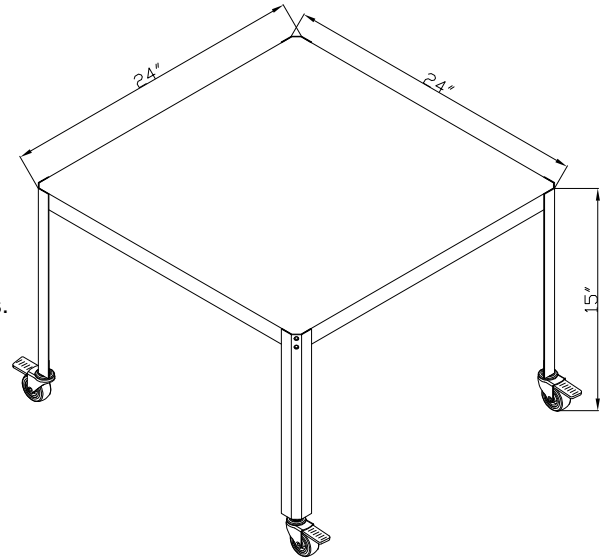
Avoid direct exposure to sunlight. Do not place overheat or air conditioning vents.

Adjust levelers so that the furniture sits flat on uneven floors.

Blot spills do not rub, with a clean white cloth.

Do not use harsh chemicals.

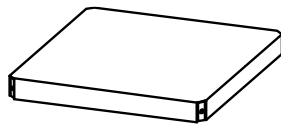
Before cleaning any part test a small spot in a hidden area. You may need to re-tighten all bolts after initial use.



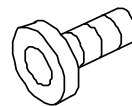
PARTS INCLUDED



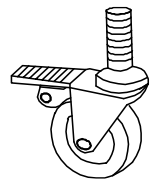
A) Metal Frame Leg
x4



B) Metal Sheet
x1



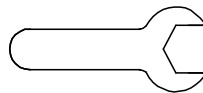
C) Bolt
[M6 x 10mm] x8



D) Locking Casters
x4



E) Flat Washer
x4



F) Open Wrench
x1



G) Hex Key
x1

RYAN COFFEE TABLE

URBAN OUTFITTERS

Assembly Instructions

STEP 1

Lay down all the parts on the clean carpet or cardboard for assembly. Align Metal Frame Leg (A) & metal sheet (B). Insert screws (C) and partially tighten with hex key (G). Insert locking casters (D) into flat washer (E) as shown, and screw castors into the Frame Leg (A) completely. Once all screws are inserted and partially tightened, tighten all screws completely.

