

# TABITHA SIDEBOARD

URBAN OUTFITTERS

## Assembly Instructions

### TOOLS REQUIRED BUT NOT INCLUDED:

Phillips head screwdriver

### WARNINGS:

Do not throw away packing materials and carton until after assembly. Assemble all parts on a clean smooth surface

### CARE INSTRUCTIONS:

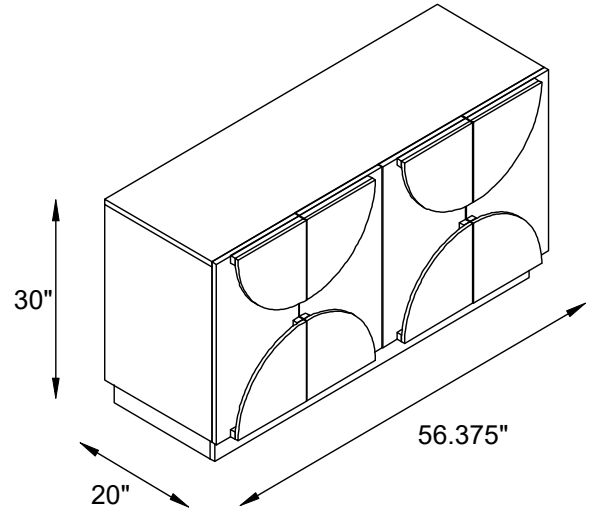
Avoid direct exposure to sunlight. Do not place overheat or air conditioning vents. Adjust levelers so that the furniture sits flat on uneven floors.

Blot spills do not rub, with a clean white cloth.

Do not use harsh chemicals.

Before cleaning any part test a small spot in a hidden area.

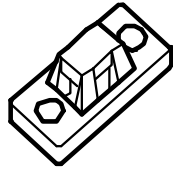
You may need to re-tighten all bolts after initial use.



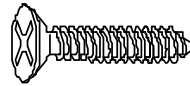
## HARDWARE LIST



(A) Nylon strip  
x1



(B) Bracket  
x2



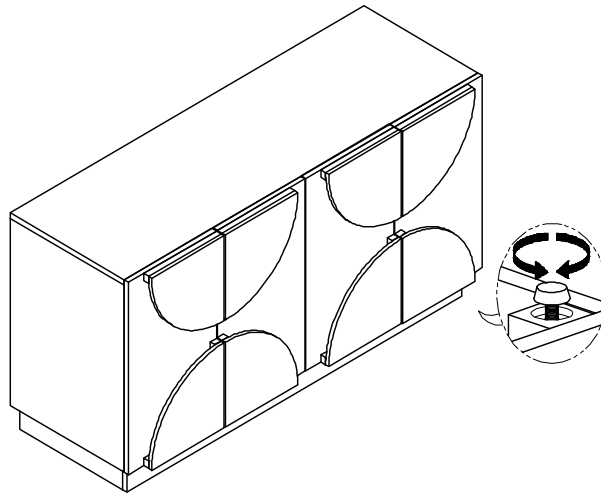
(C) Screw  
[M3 x 32mm] x2



(D) Screw  
[M3 x 19mm] x2

## STEP 1

Turn the adjustable feet so the Case sits flat on the ground.



## STEP 2

- Align the Anti Tip Brackets (B) to the Top back of the Case. Insert Screws (C) and tighten completely. Do not overtighten.
- Contact your local hardware store to purchase the correct anchors for your wall-type.
- Align the brackets to the wall and make sure they line up with the brackets on the back of the case from step (a).
- Screw the brackets to the wall using the correct anchors.
- Slide the case to the wall. Leaving a little bit of room between the case and the wall.
- Feed the Nylon Strap through both brackets and pull tight.

