

# RYAN COLLAPSIBLE DESK

URBAN OUTFITTERS

## Assembly Instructions

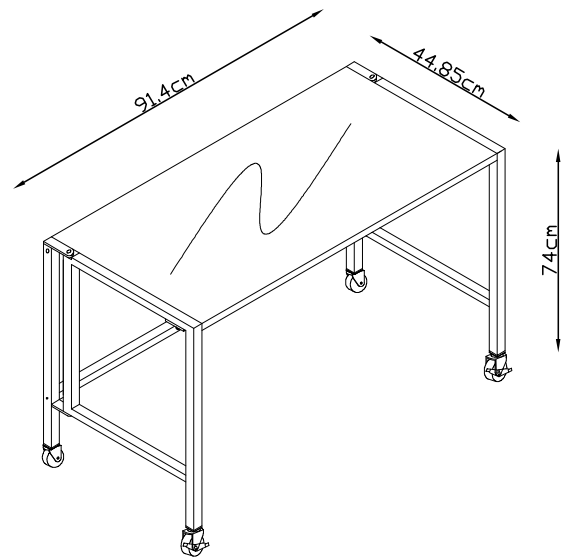
TOOLS REQUIRED BUT NOT INCLUDED: N/A

### WARNINGS:

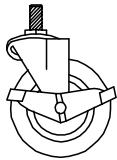
Do not throw away packing materials and carton until after assembly. Assemble all parts on a clean smooth surface

### CARE INSTRUCTIONS:

Avoid direct exposure to sunlight.  
Do not place overheat or air conditioning vents.  
Adjust levelers so that the furniture sits flat on uneven floors.  
Blot spills do not rub, with a clean white cloth.  
Do not use harsh chemicals.  
Before cleaning any part test a small spot in a hidden area.  
You may need to re-tighten all bolts after initial use.



## PARTS INCLUDED



A) Locking caster x2



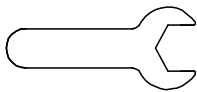
B) Casters x2



C) Flat Washer x4



D) Wing nuts  
[M6] x2



E) Wrench x1

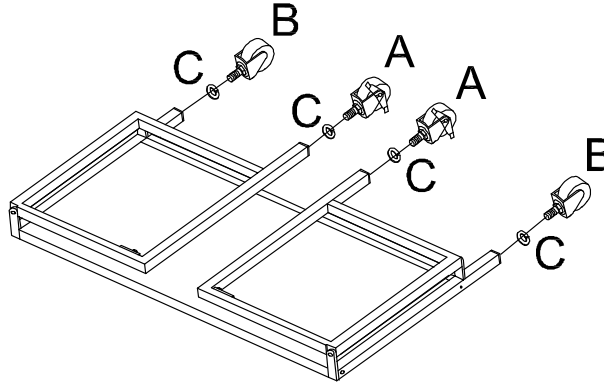
# RYAN COLLAPSIBLE DESK

URBAN OUTFITTERS

## Assembly Instructions

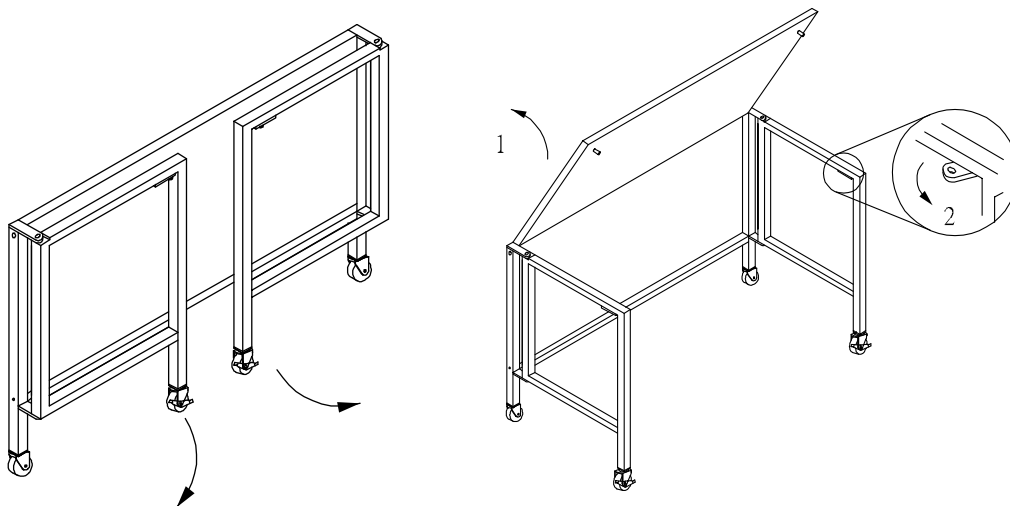
### STEP 1

Lay out all parts on a clean carpet or cardboard. Insert flat washer (C) onto casters (A) & (B) and then screw the casters onto the bottom of the desk as shown.



### STEP 2

Flip the table upright and extend the legs out as shown. Lift up the top, and then place onto the legs as shown, aligning the posts on the table top with the holes in the leg.



### STEP 3

Insert the wing nut onto the posts as shown and tighten to complete assembly.

