

# Scallop Flush-mount Conversion Kit

**URBAN OUTFITTERS**

## Assembly Instructions

---

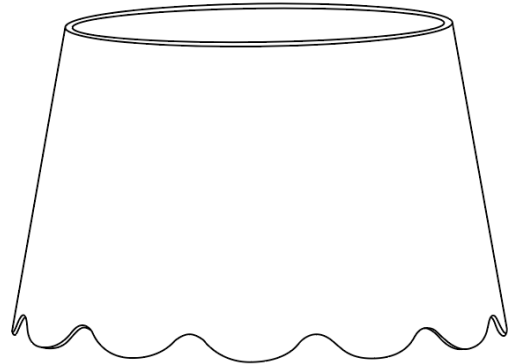
NO ADDITIONAL TOOLS REQUIRED

### WARNINGS:

Do not throw away packing materials and carton until after assembly.  
Ensure all parts are present prior to assembly.  
Contact customer service immediately if parts are missing.  
Assemble all parts on a clean smooth surface.

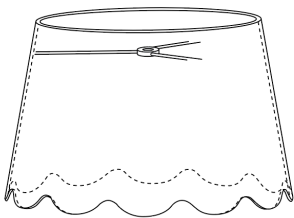
### CARE INSTRUCTIONS:

Avoid direct exposure to sunlight.  
Do not place over heat or air conditioning vents.  
Adjust levelers so that the furniture sits flat on uneven floors.  
Blot spills with a clean white cloth, do not rub.  
Do not use harsh chemicals.  
Before cleaning any part test a small spot in a hidden area.  
You may need to re-tighten all bolts after initial use.



### PARTS INCLUDED:

---



(A) Shade



(B) Diffuser



(C) Threaded Rod

[1/4" x 3" Bolt] x1



(D) Threaded Rod

[1/4" x 4" Bolt] x1



(E) Coupling Nut

[1/4" x 1" Bolt] x1  
or  
[M6 x 25mm] x1



(F) Nut

[1/4"] x5



(G) End Cap

[1/4"] x1

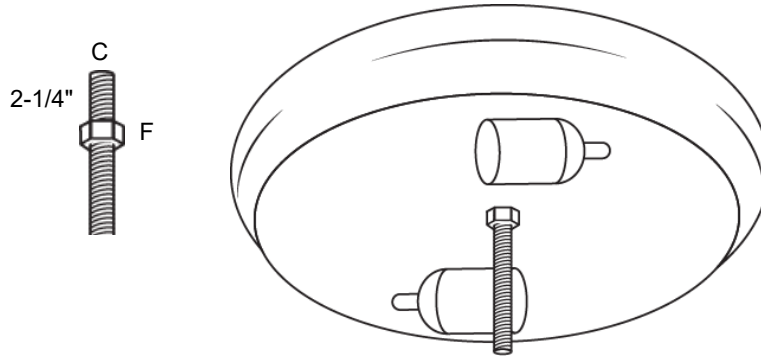
# Odette Flush-mount Conversion Kit

URBAN OUTFITTERS

## Assembly Instructions

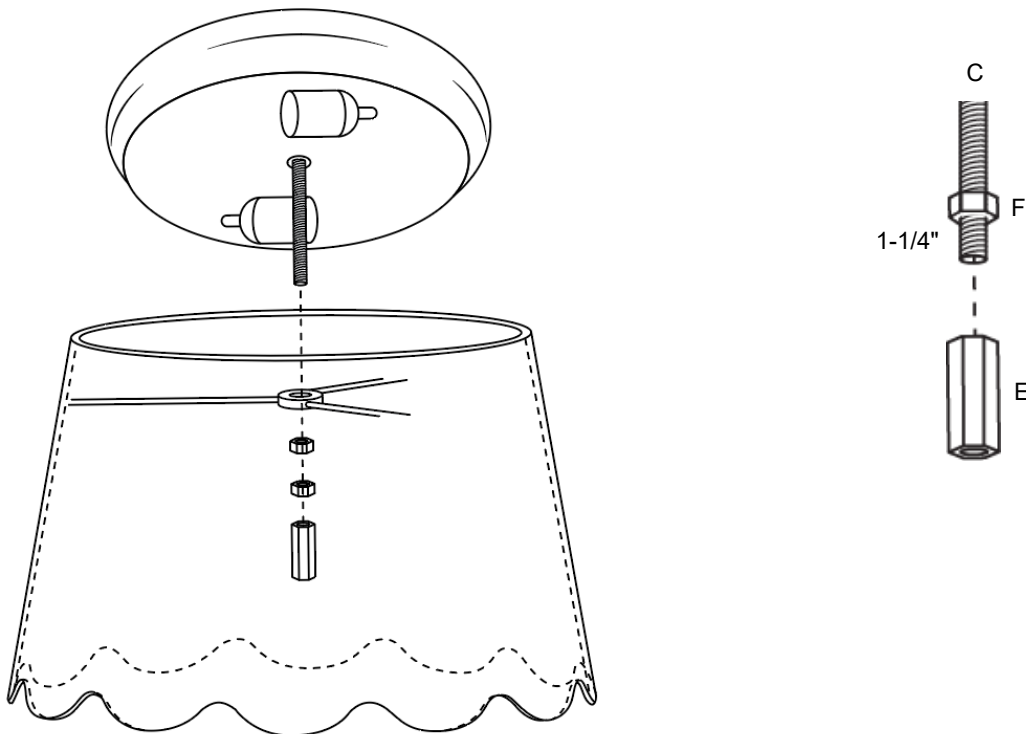
### STEP 1

Turn off the power to an existing flush-mount light fixture and remove the globe and existing threaded rod. Screw a Nut (F) onto the Threaded rod (C) leaving 2-1/4" of the rod exposed above the nut. Screw the Threaded rod (C) into the existing fixture until tight, then screw the Nut (F) up the Threaded rod (C) until tight to secure the rod.



### STEP 2

Insert the Shade (A) onto the Threaded rod (C). Then, screw a Nut (F) up the Threaded rod (C) to secure the shade. Screw another nut onto the Threaded rod (C) leaving 1-1/4" of the rod exposed below the Nut (F). Screw the coupling nut (E) onto the threaded rod (C) until tight.



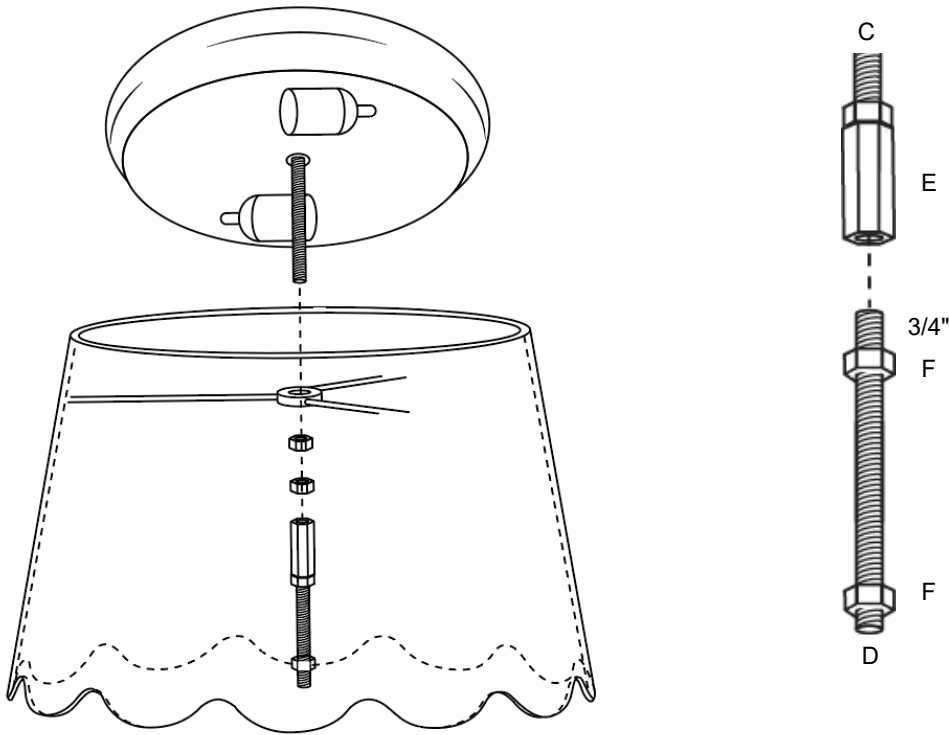
# Odette Flush-mount Conversion Kit

URBAN OUTFITTERS

## Assembly Instructions

### STEP 3

Screw a Nut (F) onto the Threaded rod (D) leaving 3/4" exposed above the Nut (F). Then, screw the Threaded rod (D) into the coupling nut (E) until tight. Screw another nut (F) onto the threaded rod (D) leaving 1/4" of the rod exposed below the Nut (F).



### STEP 4

Insert the Diffuser (B) onto the Threaded rod (D) and ensure it sits flush with the lip at the bottom of the Shade (A). Adjust the height of the Nut (F) above the diffuser as necessary to ensure it is seated correctly. Screw the End cap (G) onto the Threaded rod (D) to secure the diffuser.

