

# MIES LOW MEDIA CONSOLE

Assembly Instructions

# URBAN OUTFITTERS

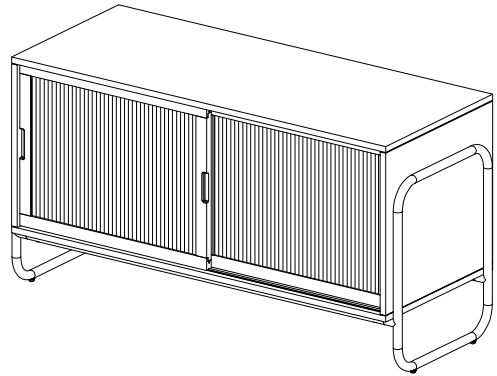
TOOLS REQUIRED BUT NOT INCLUDED: N/A

### WARNINGS:

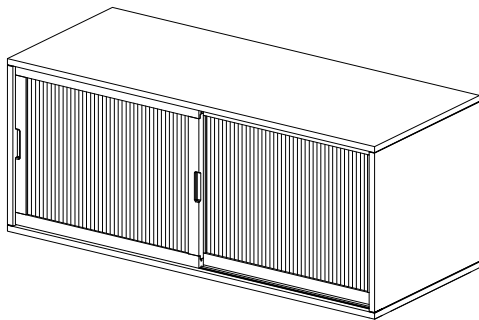
Do not throw away packing materials and carton until after assembly.  
Assemble all parts on a clean smooth surface such as carpet or cardboard.

### CARE INSTRUCTIONS:

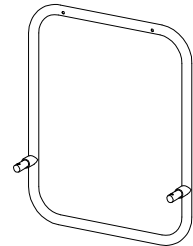
Avoid direct exposure to sunlight.  
Do not place over heat or Air conditioning vents.  
Adjust levelers so that the furniture sits flat on uneven floors.  
Blot spills do not rub, with a clean white cloth.  
Do not use harsh chemicals.  
Before cleaning any part test a small spot in a hidden area.  
You may need to re-tighten all bolts after initial use.



### PARTS INCLUDED:



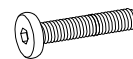
A) Low Media Console x1



B) Metal Leg x2



C) Allen Bolt  
[1/4" x 16mm] x4



D) Allen Bolt  
[1/4" x 1-1/4"] x4



E) Lock Washer  
[1/4"] x4



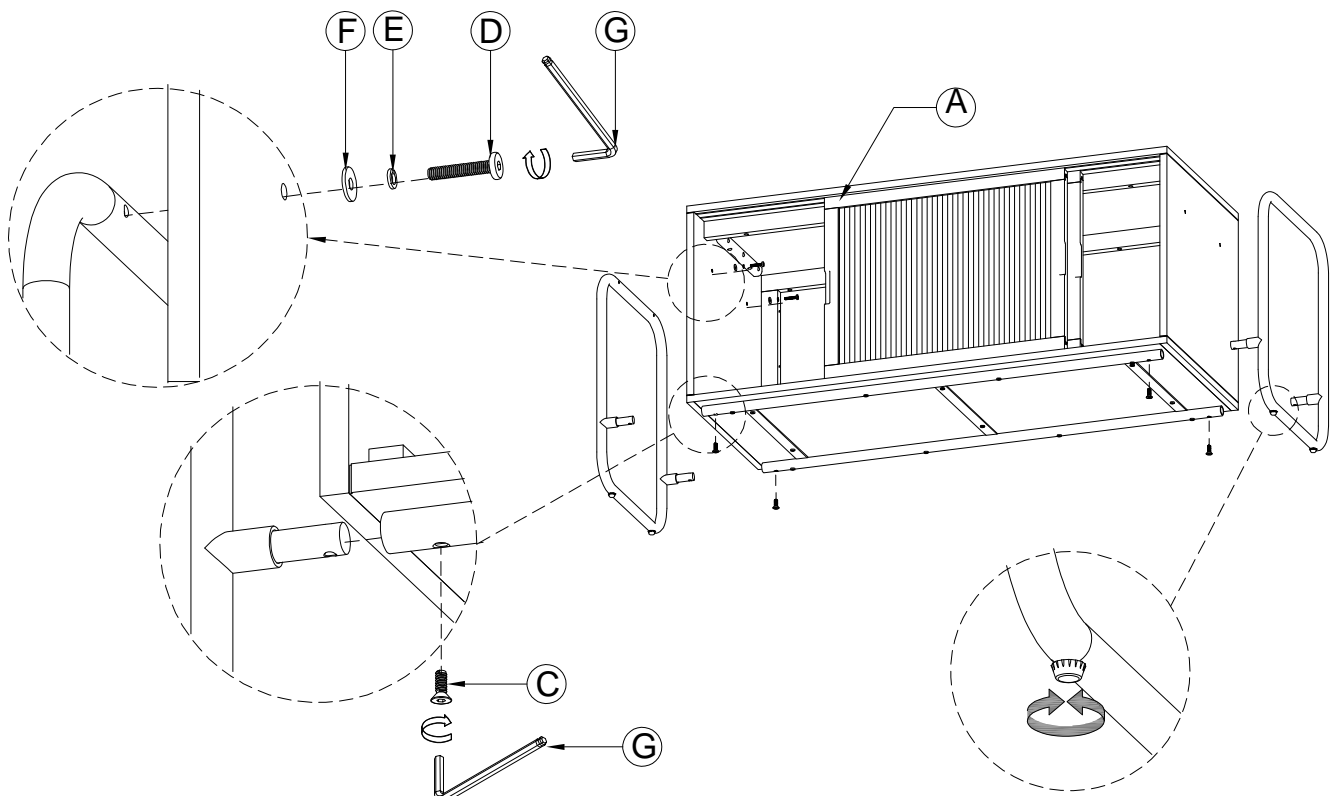
F) Flat Washer  
[1/4"] x4



G) Allen Key x1

## STEP 1

- A) With help, lay the media console (A) on its back and align the legs (B) as shown.
- B) Insert Allen Bolt (E), Lock Washer (F), and Flat Washer (G) through the case into the legs as shown and partially tighten with supplied Allen Key (H).
- C) Insert Allen Bolt (C) through the bottom rail on the media cabinet as shown and partially tighten.
- D) Once all bolts are partially tightened, tighten all fully.



Note:  
Adjust levelers to  
accommodate  
uneven floors.