

# Stacie Bench

## Assembly Instructions

URBAN OUTFITTERS

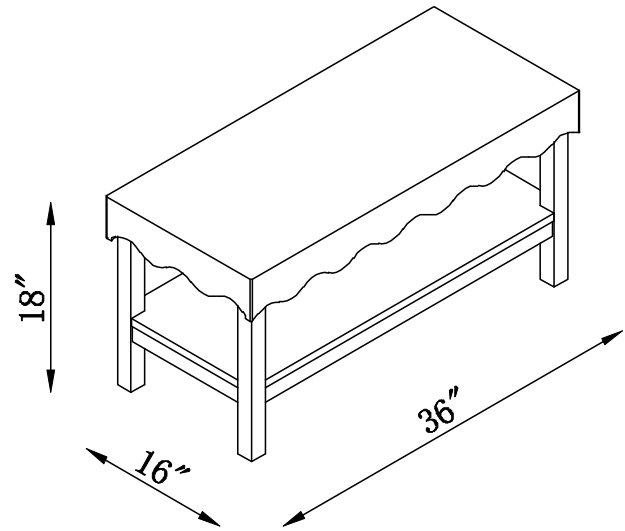
NO ADDITIONAL TOOLS REQUIRED

### WARNINGS:

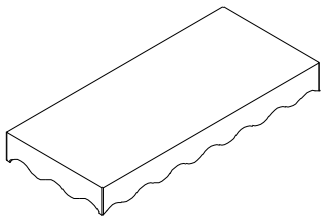
Do not throw away packing materials and carton until after assembly.  
Ensure all parts are present prior to assembly.  
Contact customer service immediately if parts are missing.  
Assemble all parts on a clean smooth surface.

### CARE INSTRUCTIONS:

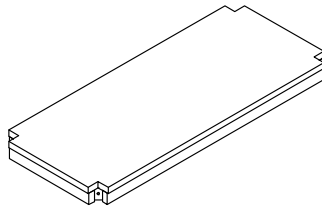
Avoid direct exposure to sunlight.  
Do not place over heat or air conditioning vents.  
Adjust levelers so that the furniture sits flat on uneven floors.  
Blot spills with a clean white cloth, do not rub.  
Do not use harsh chemicals.  
Before cleaning any part test a small spot in a hidden area.  
You may need to re-tighten all bolts after initial use.



### PARTS INCLUDED:



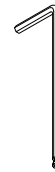
(A) Top panel  
x1



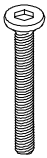
(B) Shelf  
x1



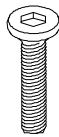
(C) Leg  
x4



(D) Hex key  
x1



(E) Bolt  
[1/4" x 2"] x4



(F) Bolt  
[1/4" x 1-3/5"] x8



(G) Spring washer  
[1/4" x 12]



(H) Flat washer  
[1/4" x 12]

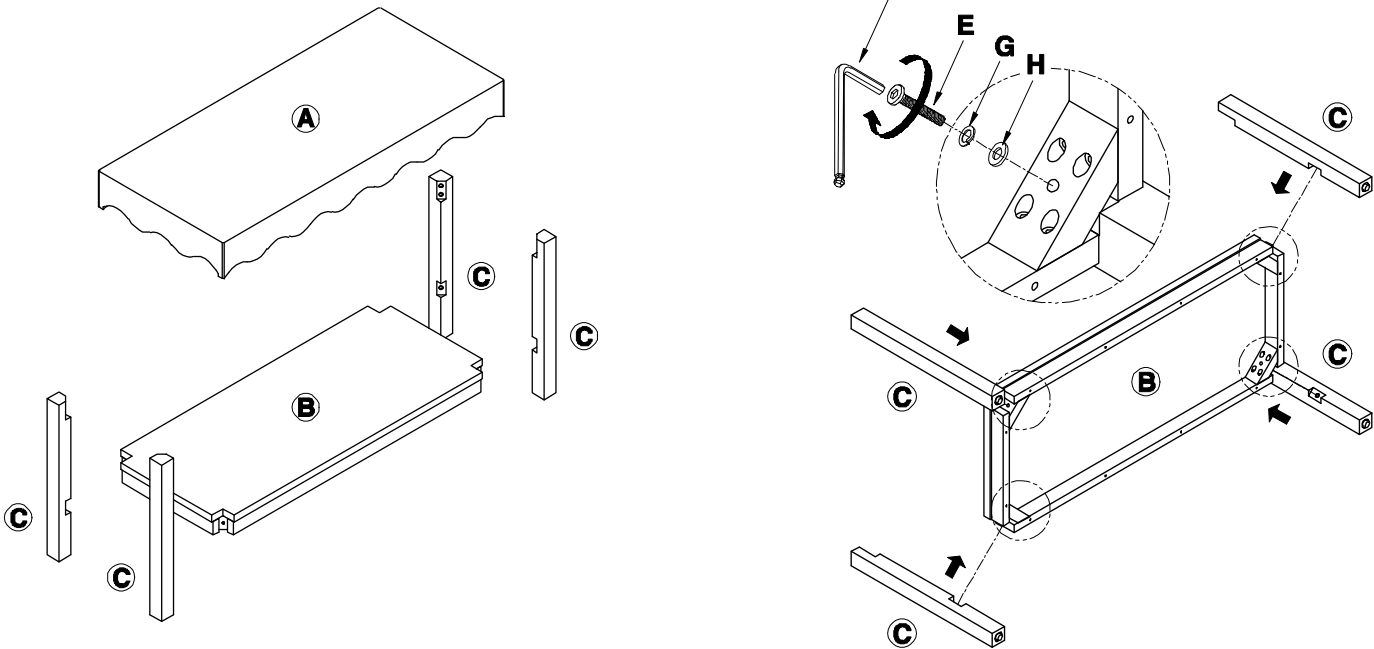
# Stacie Bench

## Assembly Instructions

URBAN OUTFITTERS

### STEP 1

With help, lay the parts out onto a clean smooth surface such as carpet or cardboard. Align the legs (C) to the shelf (B) and press firmly into place as shown. Insert the flat washer (H), spring washer (G) and bolt (E) as shown. Tighten with supplied hex key (D).



### STEP 2

Align the partially assembled bench to the top panel (A) and press firmly into place. Insert flat washer (H), spring washer (G) and bolt (F). Tighten with supplied hex key (D). Do not over-tighten. Then, with help, flip the bench upright making sure you do not lean it on its legs. Turn the adjustable feet so the bench sits flat on the ground.

