

# DELANCEY 2 DOOR CABINET

URBAN OUTFITTERS

## Assembly Instructions

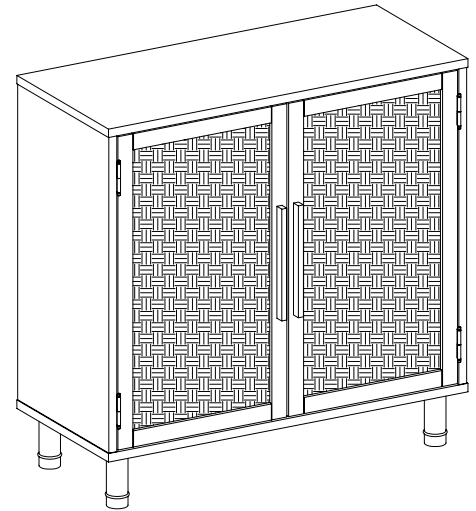
TOOLS REQUIRED BUT NOT INCLUDED: PHILLIPS HEAD SCREWDRIVER

Do not throw away packing materials and carton until after assembly.  
Assemble all parts on a clean smooth surface such as carpet or cardboard.

### CARE INSTRUCTIONS:

Avoid direct exposure to sunlight. Do not place over heat or Air conditioning vents.  
Adjust levelers so that the furniture sits flat on uneven floors.  
Blot spills do not rub, with a clean white cloth.  
Do not use harsh chemicals.  
Before cleaning any part test a small spot in a hidden area.  
You may need to re-tighten all bolts after initial use.

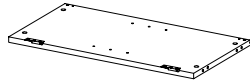
You must install the Tip Kit on the back after assembly for your safety.



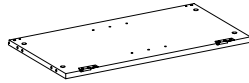
## PARTS INCLUDED



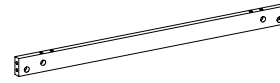
A. Top Panel 1x



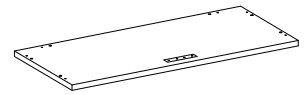
B. Left Side Panel 1x



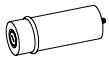
C. Right Side Panel 1x



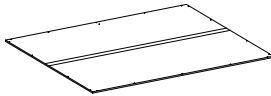
D. Back Rail 2x



E. Bottom Panel 1x



F. Leg 4x



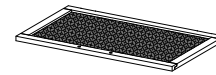
G. Back Panel 1x



H. Shelf Panel 1x



I. Left Door 1x



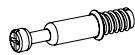
J. Right Door 1x



K. Handle 2x



L. Wooden Dowel  
M8 x 40mm  
16x



M. Cam Lock  
Bolt 16x



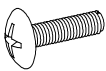
N. Cam Lock  
16x



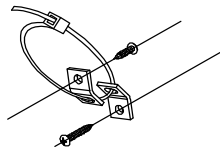
O. Phillips Screw  
5/32" x 5/8"  
18x



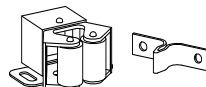
P. Shelf Pin  
4x



Q. Bolt  
5/32" x 1"  
4x



R. Tipping Restraint  
1x



S. Door Catcher  
4x



T. Umbrella Screw  
5/32" x 5/8"  
16x



U. Cover Sticker  
4x

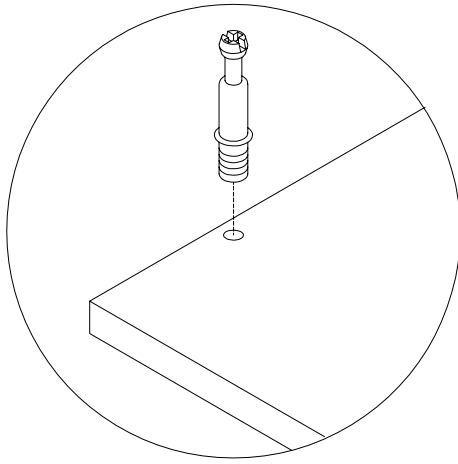
Rev. 4 18.05.22

EXCLUSIVE AND CONFIDENTIAL PROPERTY OF URBAN OUTFITTERS, INC.  
© 2019 UO, Inc. All rights reserved, including all applicable copyright, design and patent rights.  
Any unauthorized reproduction, adaptation, distribution or other infringement will be prosecuted.

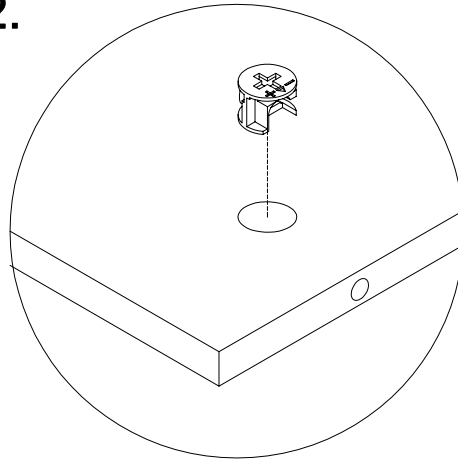
### how to use cam lock system

.....

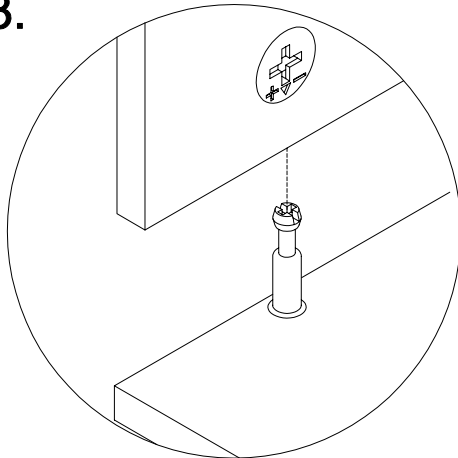
1.



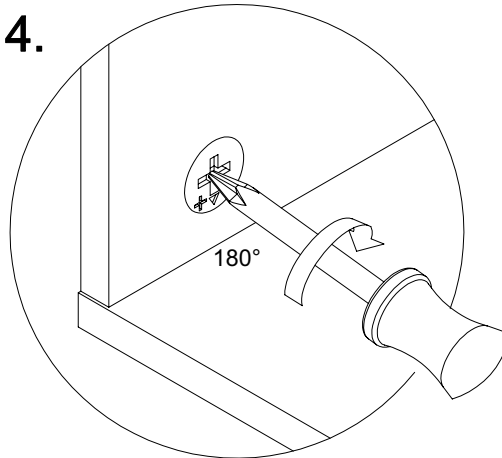
2.



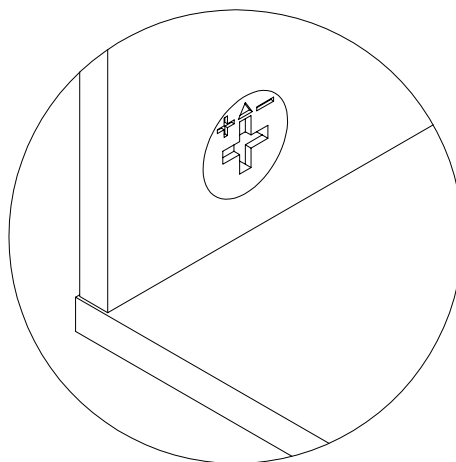
3.



4.



5.

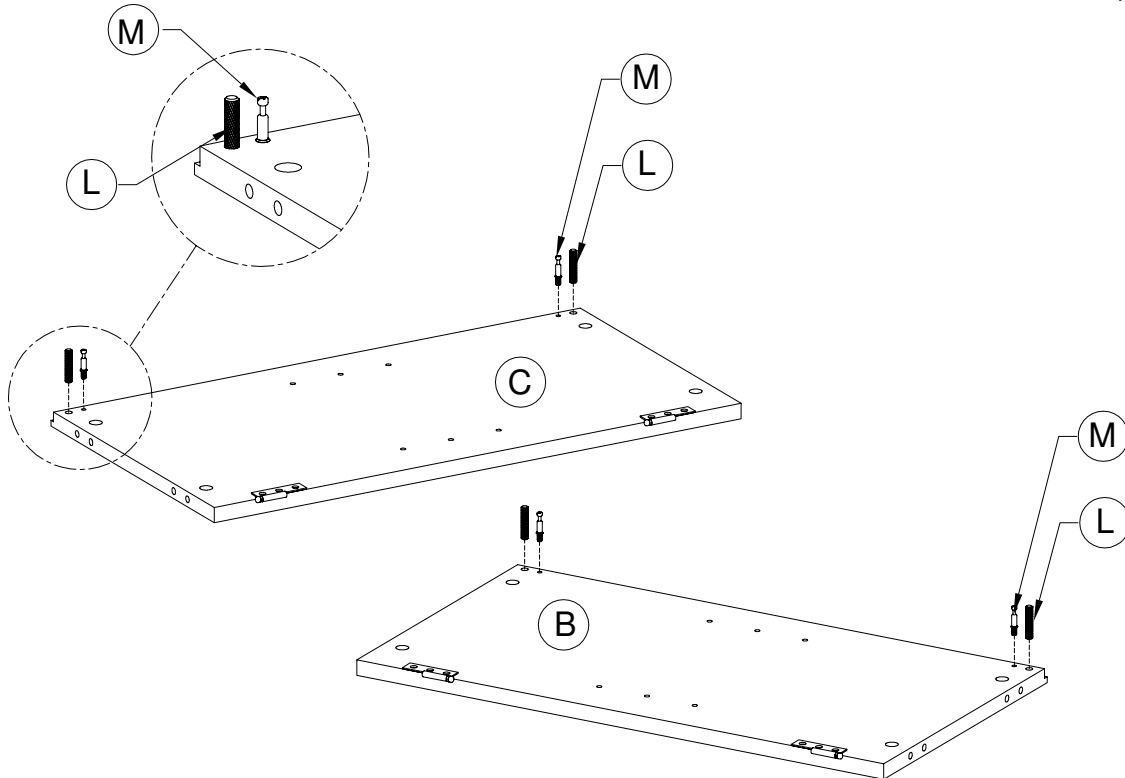


# DELANCEY 2 DOOR CABINET

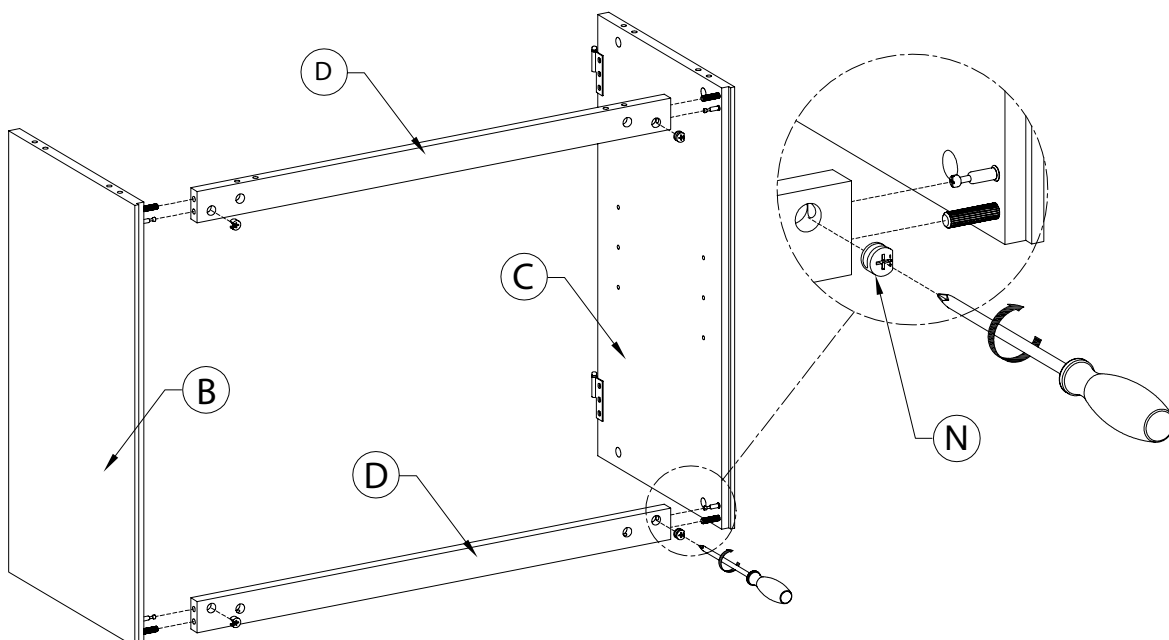
URBAN OUTFITTERS

## Assembly Instructions

1. Lay the left Side panel (B) and Right Side panel (C) over onto a clean smooth surface. Press in wooden dowels (L) as shown. Screw in the cam lock bolts (M) into the locations shown. Make sure they are tight.



2. With help stand the Left side panel upright and align the back rail (D) as shown. Insert the cam locks (N) into the back of the rails as shown. Making sure they are aligned correctly. Press firmly together. Tighten the cam locks with a screwdriver (not included). Make sure they turn and lock the rail into place. Repeat for the right side panel.



Rev. 1 05.08.19

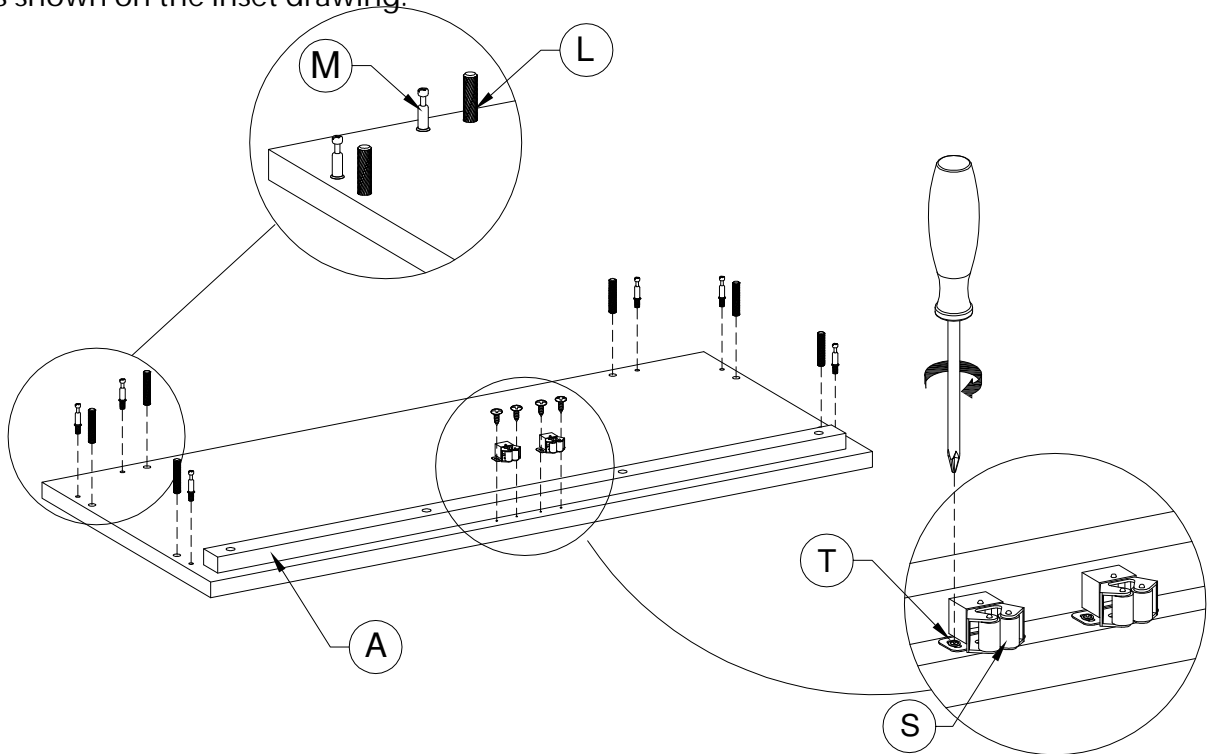
EXCLUSIVE AND CONFIDENTIAL PROPERTY OF URBAN OUTFITTERS, INC.  
© 2019 UO, Inc. All rights reserved, including all applicable copyright, design and patent rights.  
Any unauthorized reproduction, adaptation, distribution or other infringement will be prosecuted.

# DELANCEY 2 DOOR CABINET

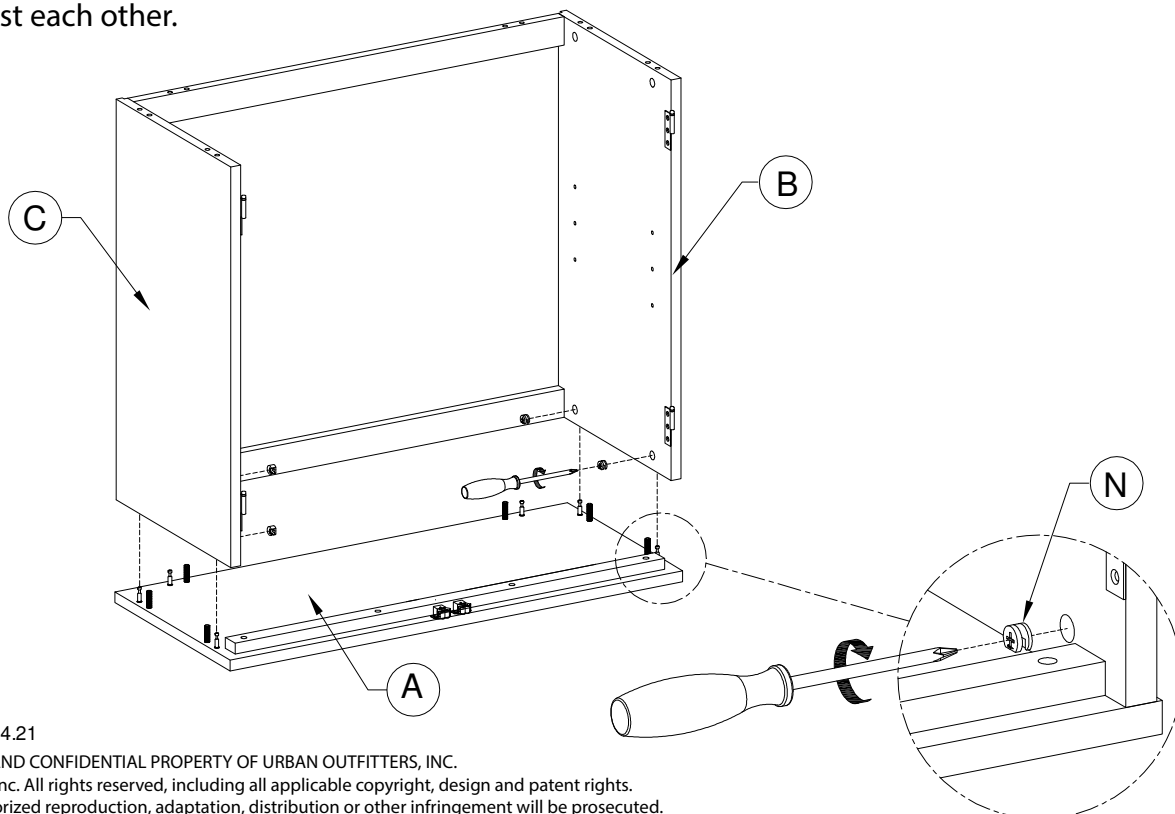
URBAN OUTFITTERS

## Assembly Instructions

3. Lay Top panel (A) on a clean smooth surface. Insert wooden dowels (L) and screw in Cam bolts (M) as shown. Install Door catcher (S) on the marked location and fasten screws (T) with screwdriver (not included) as shown on the inset drawing.



4. With help align the assembled side panels and rail. Press them firmly down onto the Top panel (A) as shown, making sure all parts align. Insert cam locks (N), tighten with screwdriver until all parts are tight against each other.



Rev. 3 05.04.21

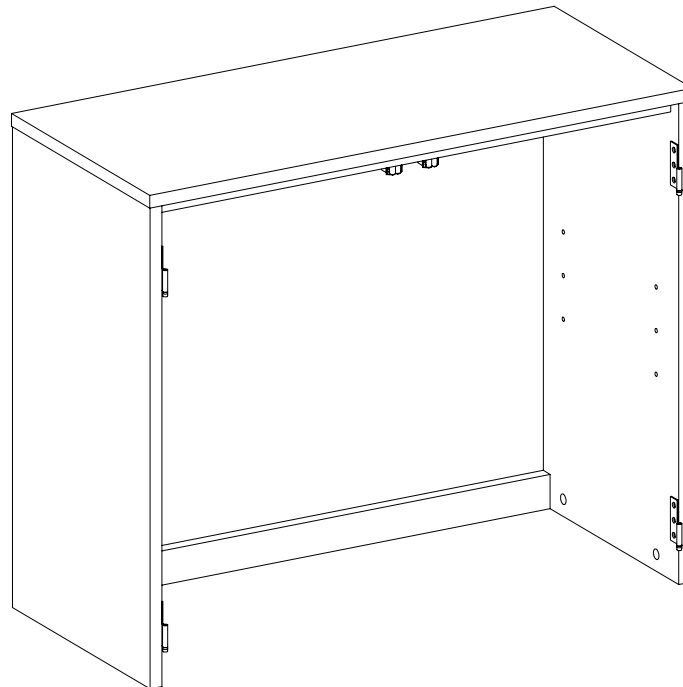
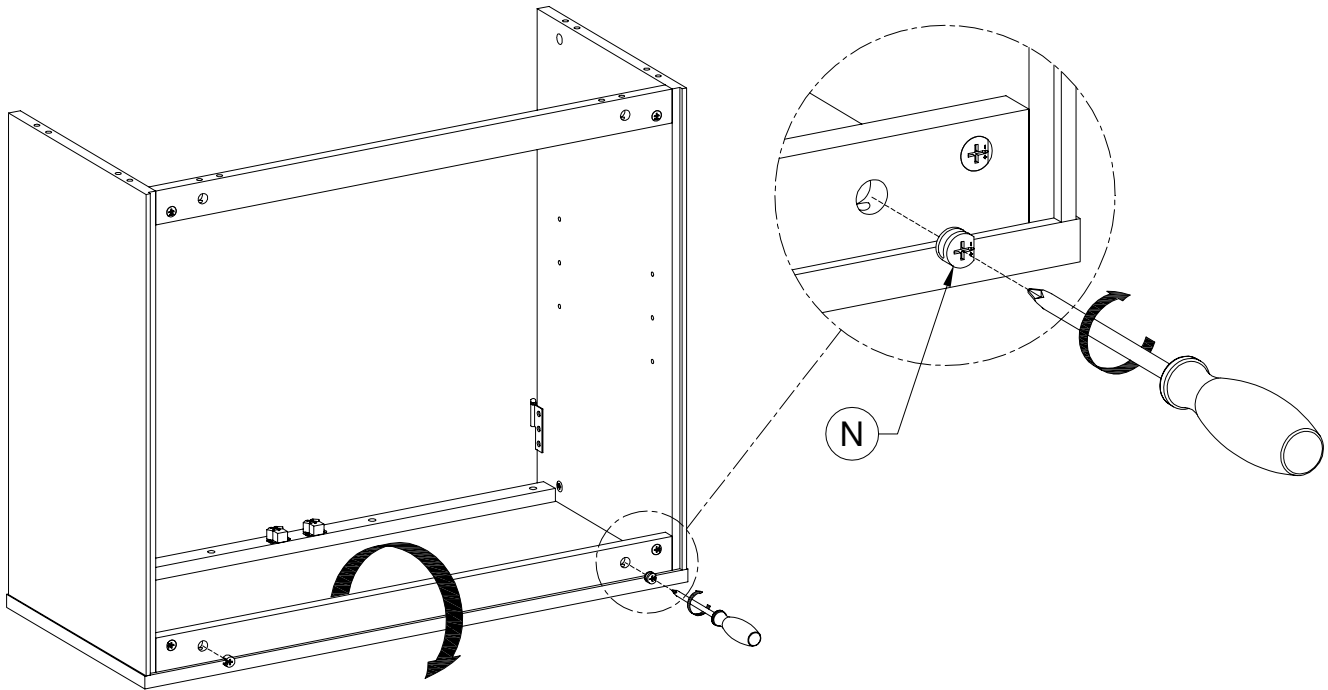
EXCLUSIVE AND CONFIDENTIAL PROPERTY OF URBAN OUTFITTERS, INC.  
© 2019 UO, Inc. All rights reserved, including all applicable copyright, design and patent rights.  
Any unauthorized reproduction, adaptation, distribution or other infringement will be prosecuted.

# DELANCEY 2 DOOR CABINET

URBAN OUTFITTERS

## Assembly Instructions

5. Insert cam locks (N), tighten with screwdriver until all parts are tight against each other. With help flip the case upright.



Rev. 1 05.08.19

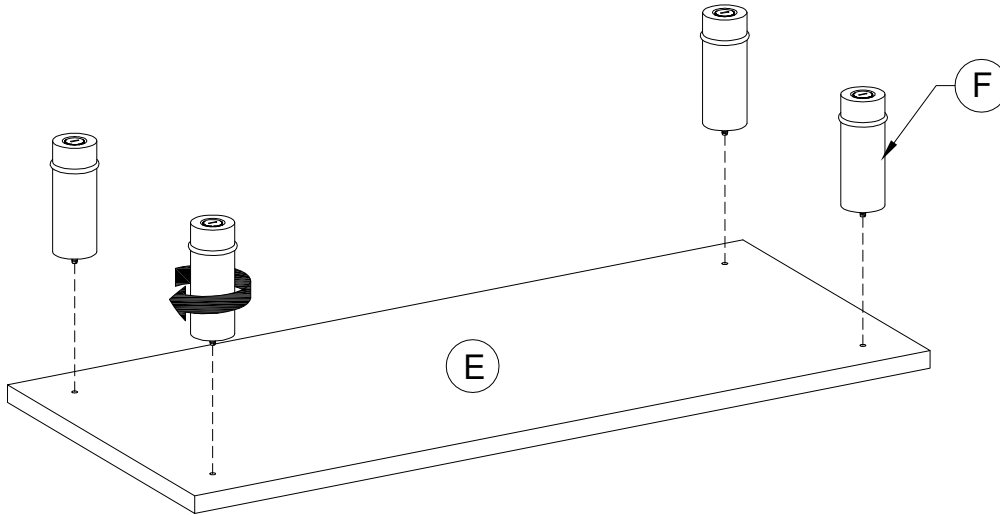
EXCLUSIVE AND CONFIDENTIAL PROPERTY OF URBAN OUTFITTERS, INC.  
© 2019 UO, Inc. All rights reserved, including all applicable copyright, design and patent rights.  
Any unauthorized reproduction, adaptation, distribution or other infringement will be prosecuted.

# DELANCEY 2 DOOR CABINET

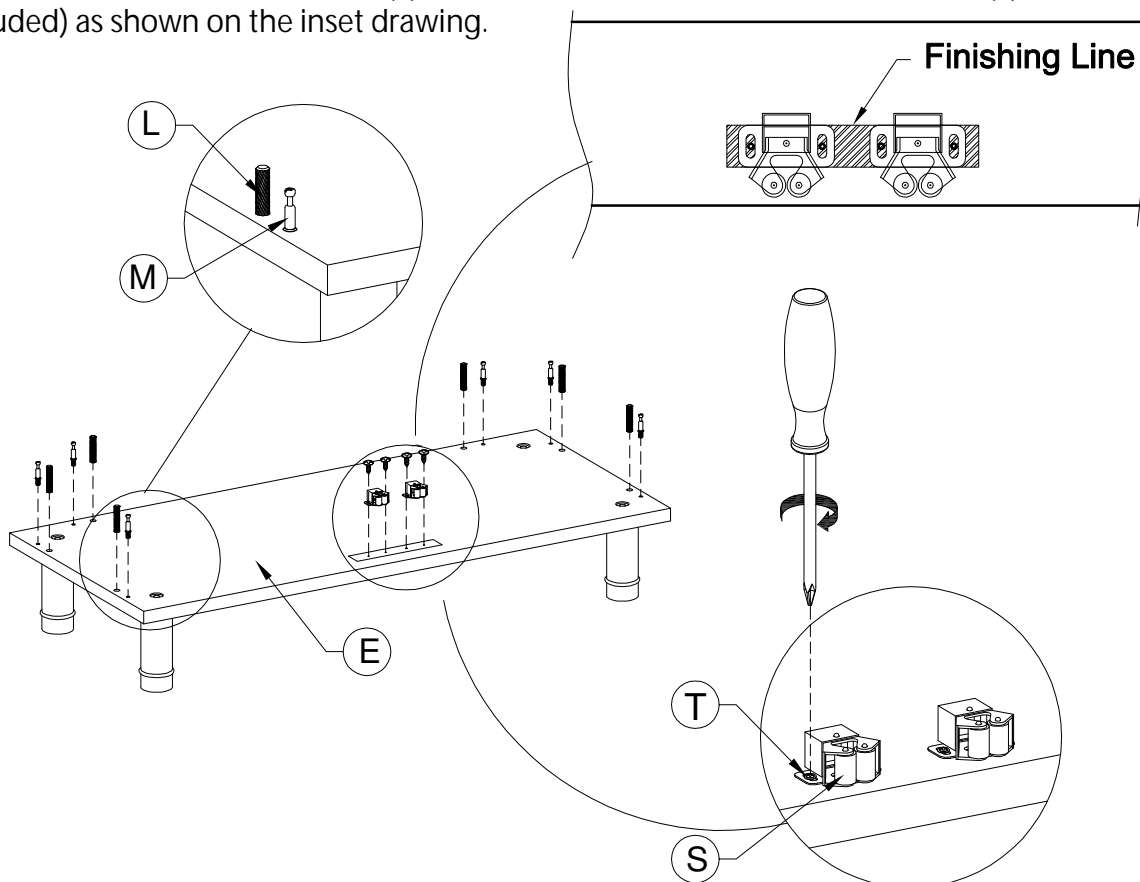
URBAN OUTFITTERS

## Assembly Instructions

6. Lay the bottom panel (E) over onto a clean smooth surface. Align legs (F) and screw them clockwise until snug against the bottom panel.



7. Flip the assembly to the upright position to insert the Wooden dowels (L) and screw in the Cam bolts (M) as shown, Install the Door catcher (S) on the marked location and fasten screws (T) with screwdriver (not included) as shown on the inset drawing.



Rev. 4 18.05.22

EXCLUSIVE AND CONFIDENTIAL PROPERTY OF URBAN OUTFITTERS, INC.

© 2019 UO, Inc. All rights reserved, including all applicable copyright, design and patent rights.

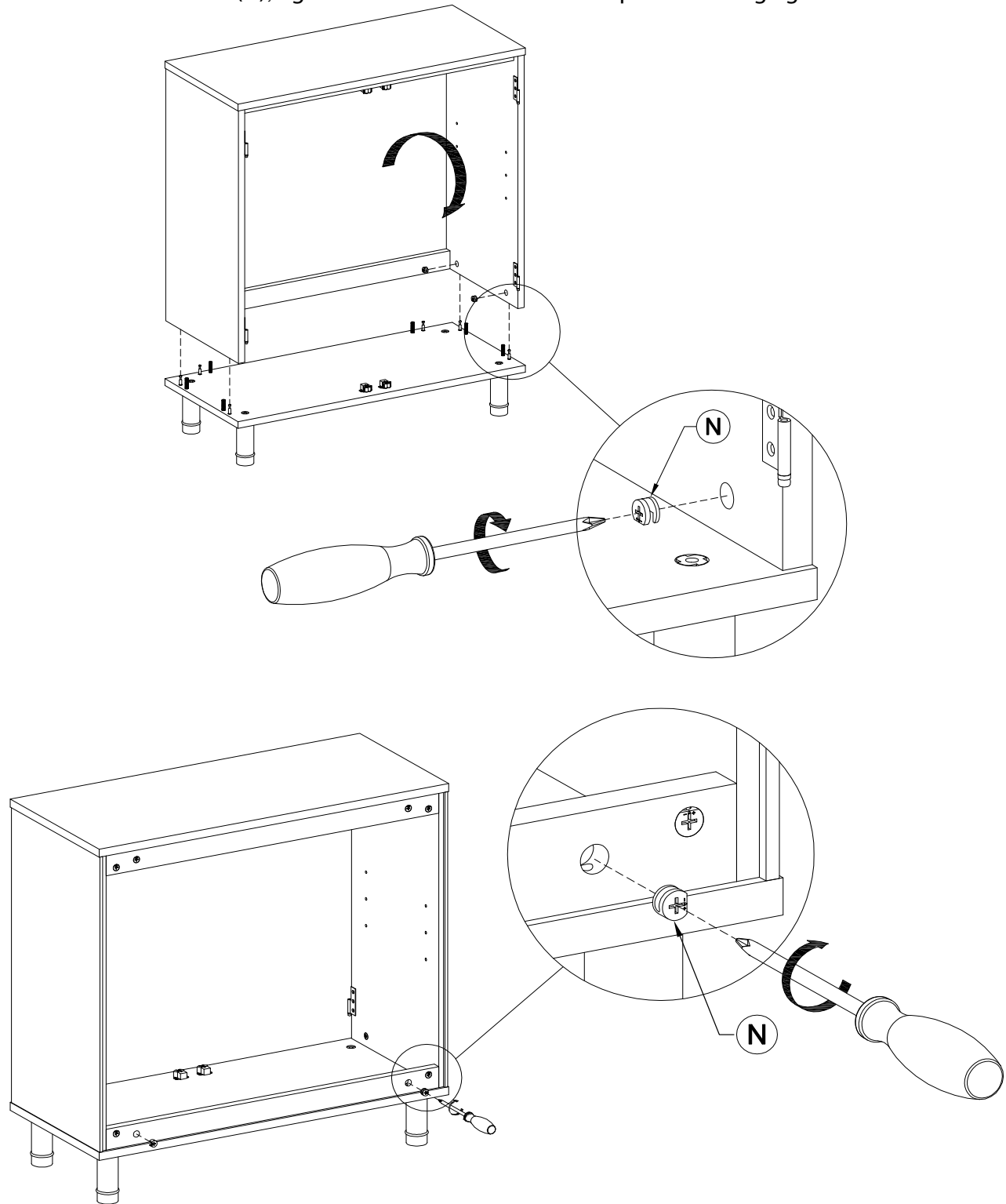
Any unauthorized reproduction, adaptation, distribution or other infringement will be prosecuted.

# DELANCEY 2 DOOR CABINET

URBAN OUTFITTERS

## Assembly Instructions

8. With help align the assembled sides and top onto the assembled bottom as shown. Press firmly together. Insert cam locks (N), tighten with screwdriver until all parts are snug against each other.



Rev. 1 05.08.19

EXCLUSIVE AND CONFIDENTIAL PROPERTY OF URBAN OUTFITTERS, INC.

© 2019 UO, Inc. All rights reserved, including all applicable copyright, design and patent rights.

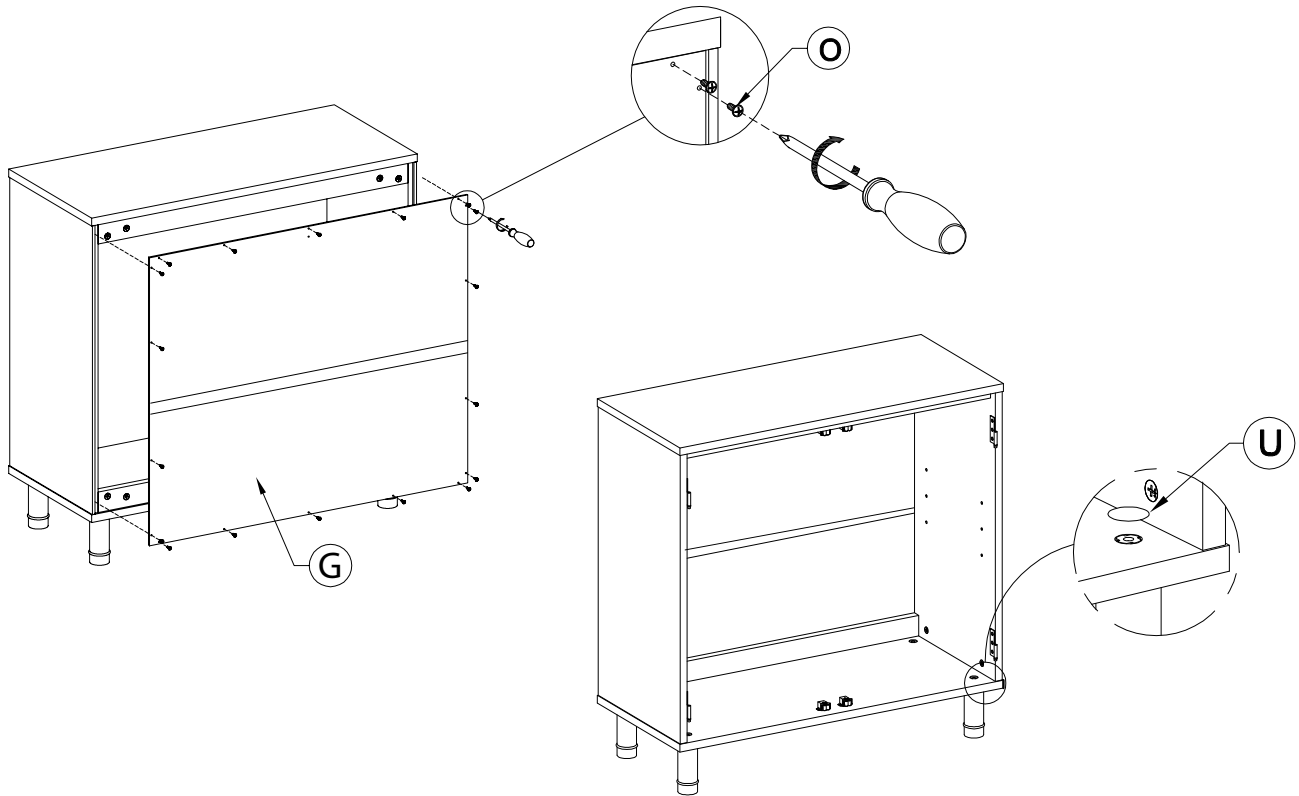
Any unauthorized reproduction, adaptation, distribution or other infringement will be prosecuted.

# DELANCEY 2 DOOR CABINET

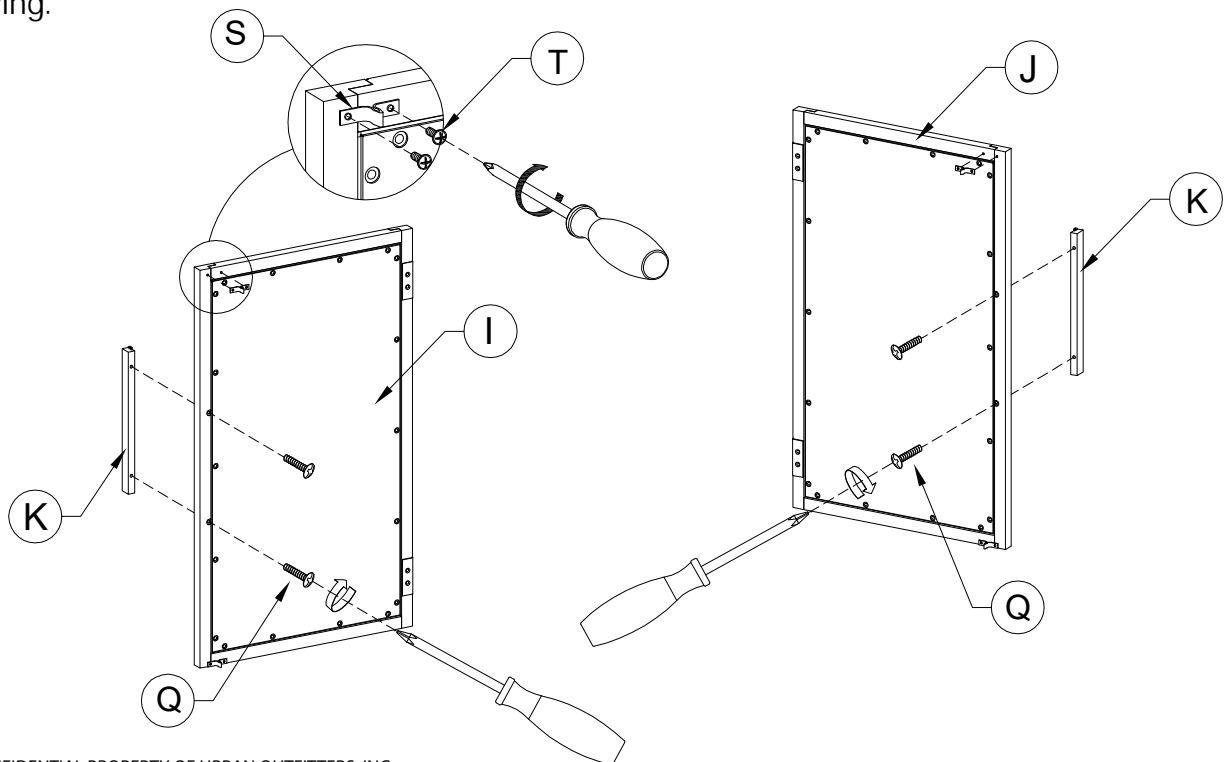
URBAN OUTFITTERS

## Assembly Instructions

9. Align back panel (G) as shown. Insert screws (O). tighten with screwdriver. Do not overtighten.



10. Attach Handles (K) to both doors (I & J) with Bolts (Q) using a screwdriver (not included). Install Door catcher (S) on the marked location and fasten screws (T) with screwdriver (not included) as shown on the inset drawing.



Rev. 4 18.05.22

EXCLUSIVE AND CONFIDENTIAL PROPERTY OF URBAN OUTFITTERS, INC.  
© 2019 UO, Inc. All rights reserved, including all applicable copyright, design and patent rights.  
Any unauthorized reproduction, adaptation, distribution or other infringement will be prosecuted.

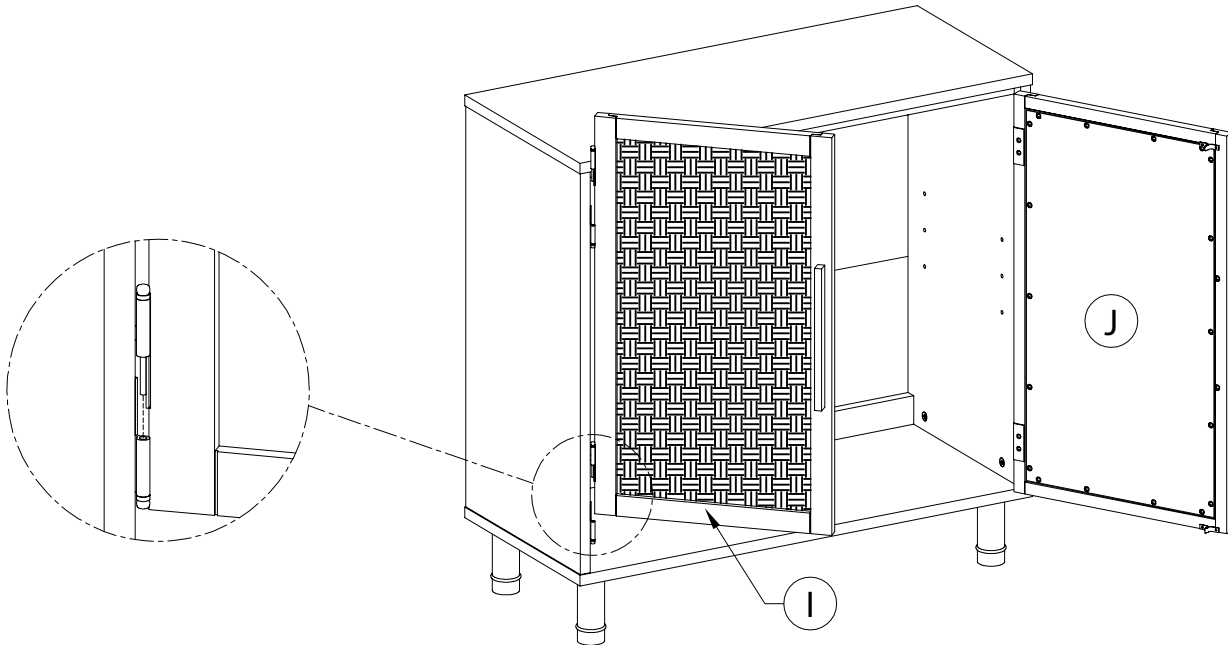


# DELANCEY 2 DOOR CABINET

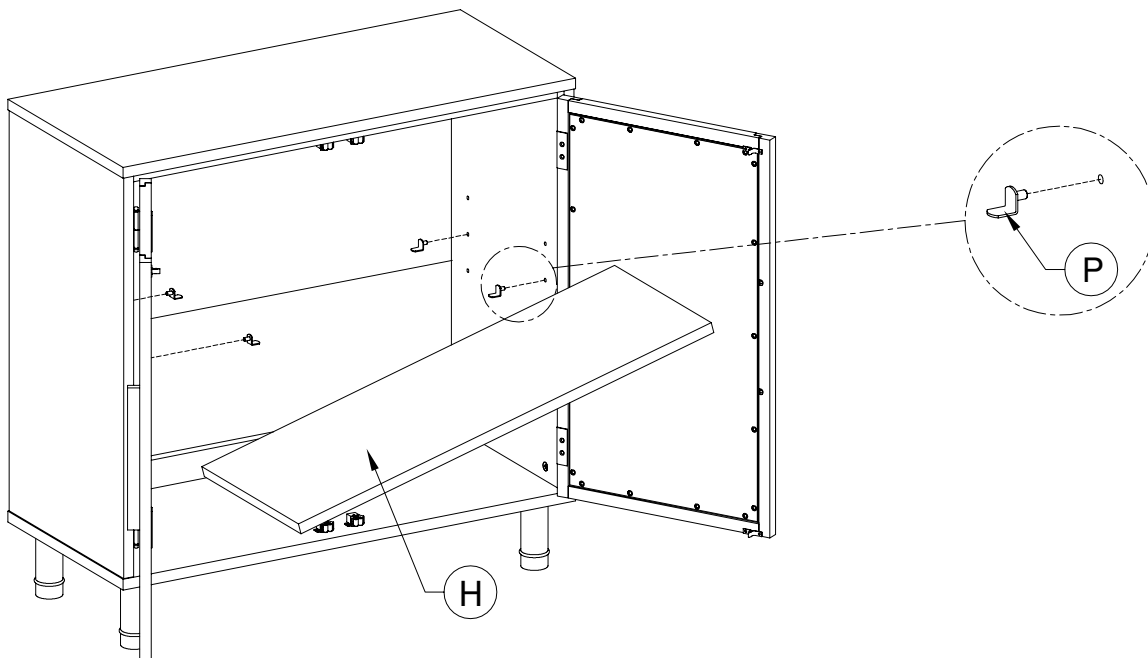
URBAN OUTFITTERS

## Assembly Instructions

11. Align left door (I) hinges with the hinges on the cabinet as shown. Press firmly down. Repeat for the right door (J).



12. Open doors and insert shelf pins (P) into the holes in the side panels. Make sure they are all on the same level. Carefully lay the shelf panel (H) onto the pins.



# DELANCEY 2 DOOR CABINET

URBAN OUTFITTERS

## Assembly Instructions

13. You will need to attach the Tipping Restraint kit (R) to the cabinet for safety. Contact your local hardware store to get the correct hardware for your wall type. Insert that hardware into the way just behind the top of the cabinet. You will need to adjust the levelers in the legs to accommodate uneven flooring and to align the doors correctly.

