

Casper Desk

Assembly Instructions

URBAN OUTFITTERS

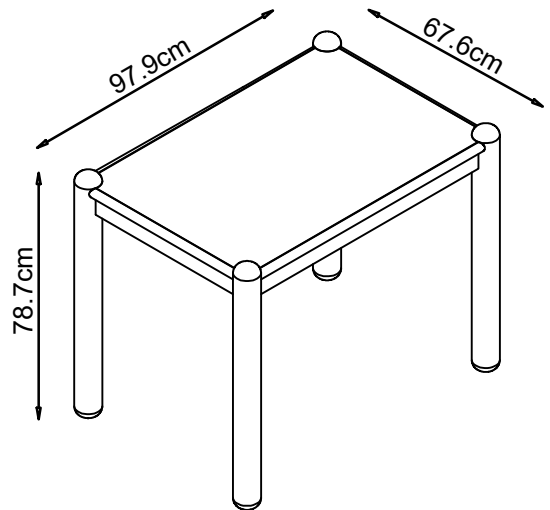
NO ADDITIONAL TOOLS REQUIRED

WARNINGS:

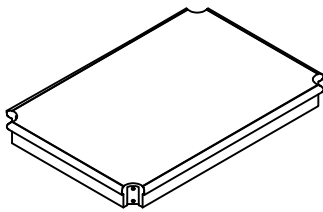
Do not throw away packing materials and carton until after assembly.
Ensure all parts are present prior to assembly.
Contact customer service immediately if parts are missing.
Assemble all parts on a clean smooth surface.

CARE INSTRUCTIONS:

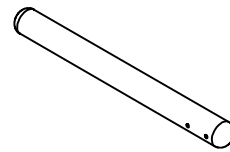
Avoid direct exposure to sunlight.
Do not place over heat or air conditioning vents.
Adjust levelers so that the furniture sits flat on uneven floors.
Blot spills with a clean white cloth, do not rub.
Do not use harsh chemicals.
Before cleaning any part test a small spot in a hidden area.
You may need to re-tighten all bolts after initial use.



PARTS INCLUDED:



1) Table Top
(37.6 x 25.6 x 3.4") x 1
or
(95.4 x 65.1 x 8.7 cm)



2) Leg
(40 x 3 x 3") x 4
or
(78.7 x 7.5 x 7.5 cm)



A) Bolt
(D 0.47 / 0.24 x 2.36") x 8
or
(D 12 x 60 mm)



B) Spring Washer
(D 0.47 / 0.24 x 0.08") x 8
or
(D 12 / 6 x 2 mm)



C) Flat Washer
(D 0.63 / 0.24 x 0.08") x 8
or
(D 16 / 6 x 2 mm)



D) Allen Key
(D 0.16 x 2.32") x 1
or
(D 4 x 59 mm)

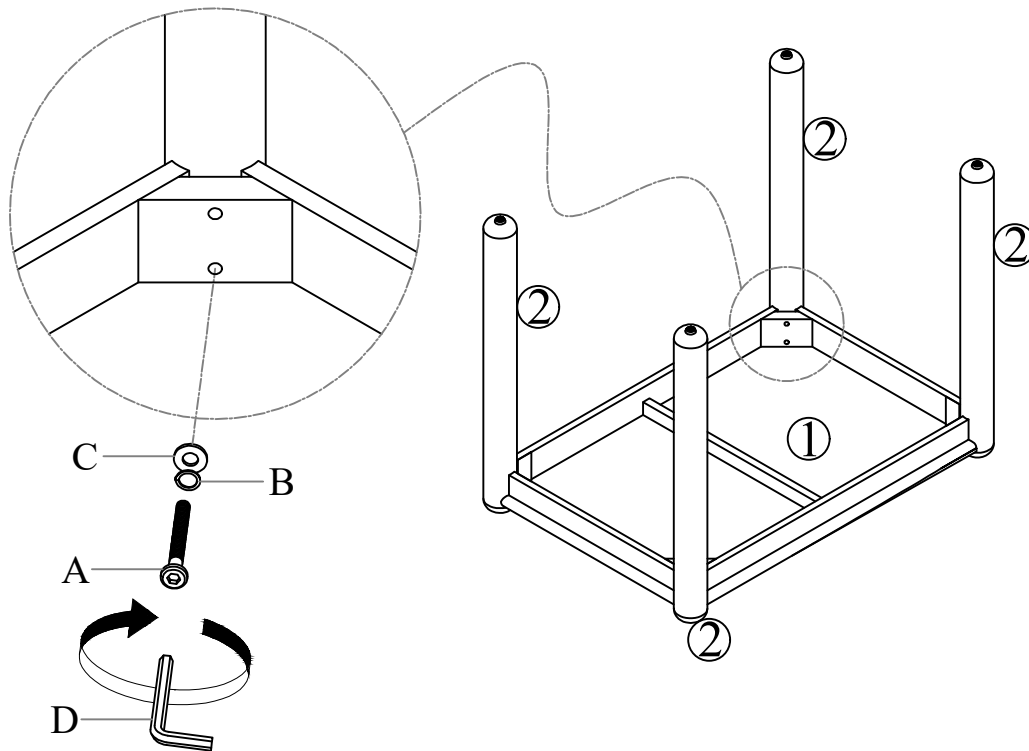
Casper Desk

URBAN OUTFITTERS

Assembly Instructions

STEP 1

Attach four Legs (2) to Table Top (1) with Bolts (A), Spring Washers (B) and Flat Washers (C), using Allen Key (D) as shown.



STEP 2

Flip the desk upright and adjust the levelers in the Legs (2) as necessary to finish the assembly.

