

RORY VANITY

URBAN OUTFITTERS

Assembly Instructions

TOOLS REQUIRED BUT NOT INCLUDED

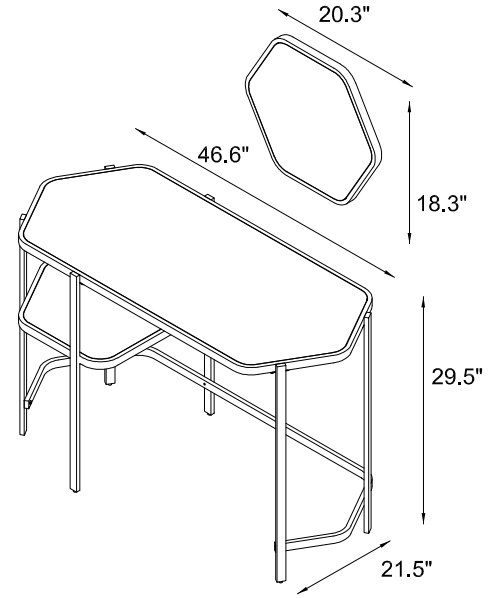
Drill, Phillips head screwdriver, Hammer, Pencil

WARNINGS:

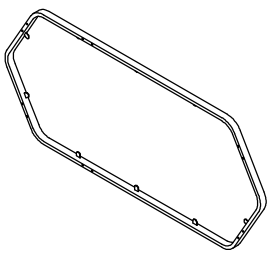
At least two people recommended for assembly
 Do not throw away packing materials and carton until after assembly.
 Ensure all parts are present prior to assembly.
 Contact customer service immediately if parts are missing.
 Assemble all parts on a clean smooth surface.
Attach furniture to the wall to prevent tipping - that can cause damage and/or bodily injury.

CARE INSTRUCTIONS:

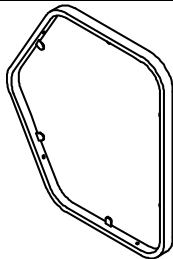
Avoid direct exposure to sunlight.
 Blot spills with a clean, white cloth; do not rub.
 Do not use harsh chemicals.
 Before cleaning any part, test a small spot in a hidden area.
 Do not place over heat or air conditioning vents.
 Do not over-tighten the parts.
 The parts may loosen after initial use; re-tighten as necessary.



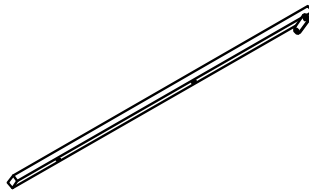
PARTS INCLUDED



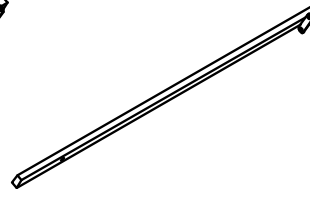
A) Top Frame



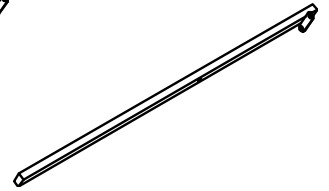
B) Glass Frame



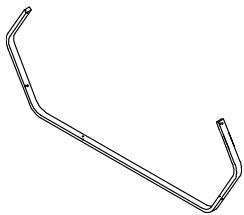
C) Side Rail x 3



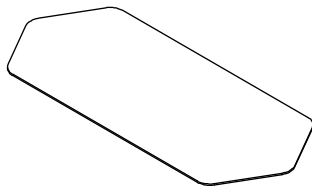
D) Side Rail x 2



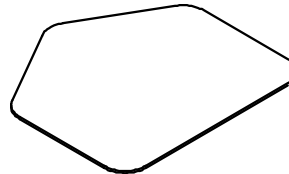
E) Side Rail



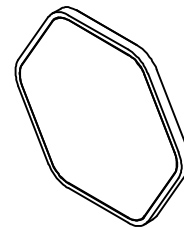
F) Bottom Frame



G) Mirror Glass



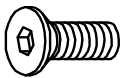
H) Glass



I) Mirror



J) Bolt [M6x10mm] x12



K) Bolt [M6x20mm] x9



H) Adjustable Leveler x 6



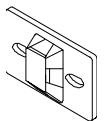
M) Glass pad x 6



N) Wall screw [4x32] x4



O) Drywall Anchor x4



P) Anti-tip bracket



Q) Nylon Strap

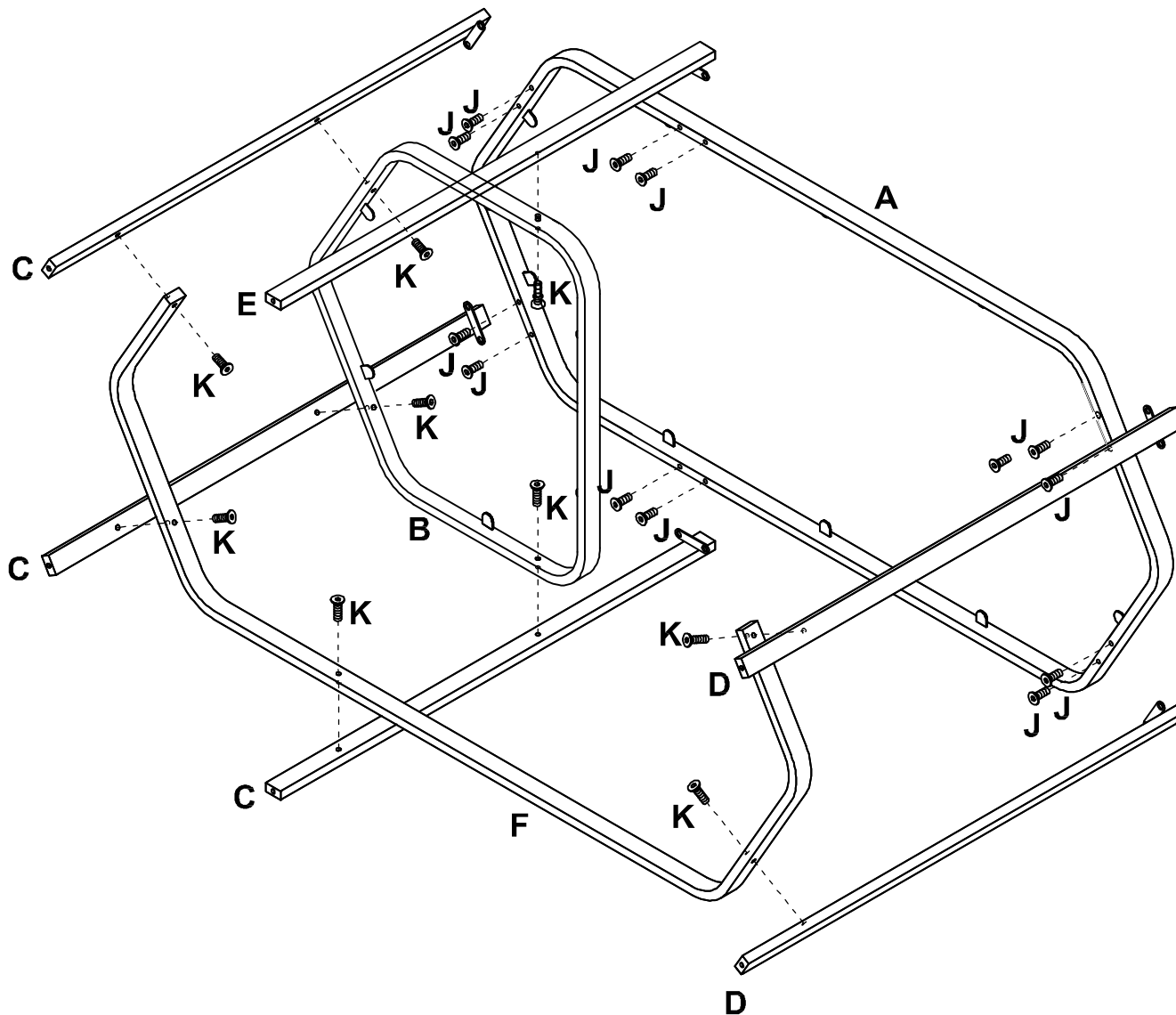


R) Allen Key

Assembly Instructions

STEP 1

Lay down all the parts onto a clean carpet or cardboard for assembly. One at a time, align Side rail (C), (D), (E) with Top frame (A), Glass frame (B), and bottom frame (F) as shown. Insert bolts (J) & (K) then, partially tighten with Allen key (R). Once all bolts are inserted and partially tightened, fully tighten the bolts.



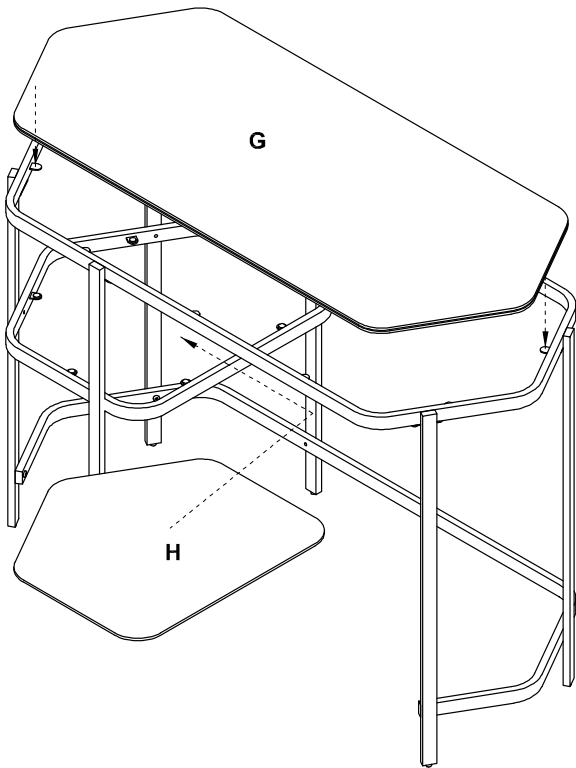
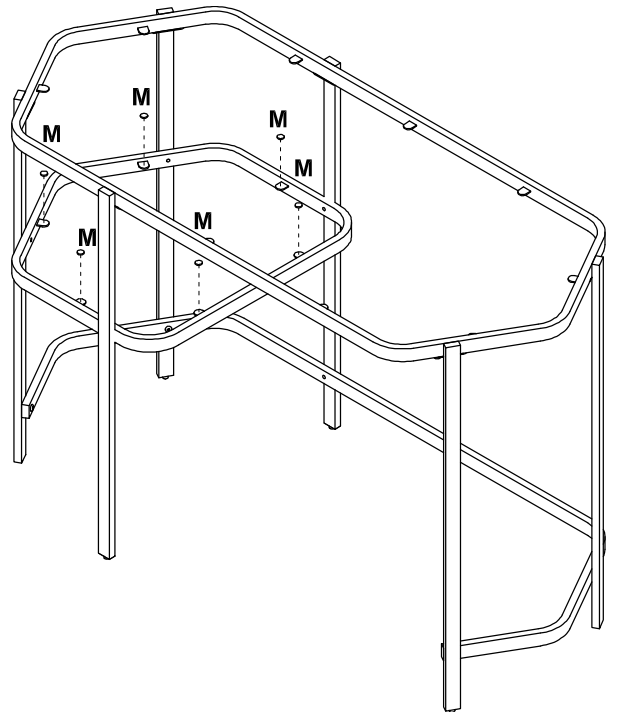
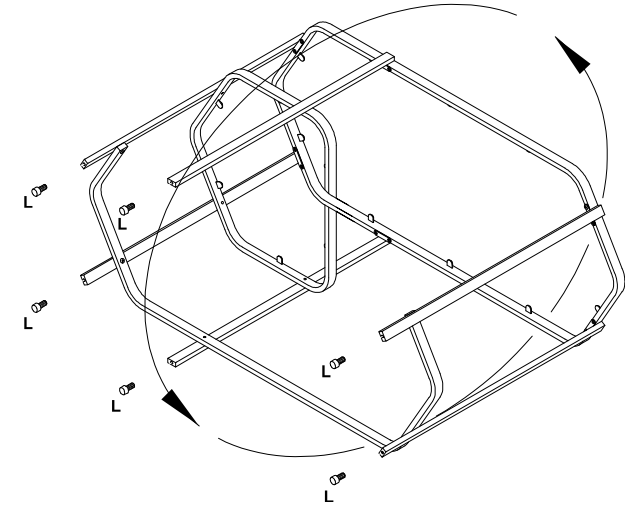
RORY VANITY

URBAN OUTFITTERS

Assembly Instructions

STEP 2

Screw adjustable levelers (L) into the bottom of the Side rails (C), (D), (E). With help, flip the vanity upright. Place the glass pads (M) on the metal tabs attached to the glass frame (B). Then, gently place the mirror glass (G) and glass (H) on assembled vanity.



Assembly Instructions

STEP 3

Place the furniture against the wall in a chosen location. Place the anti-tip bracket (P) against the wall beside the center leg of the furniture in the area circled on the graphic below. Mark the location of the holes in the bracket (P) on the wall then, with help, move the furniture aside.

Stud installation:

One at a time, place the bracket (P) against the wall at the marked locations. Insert the screws (N) through the anti-tip brackets (P) and use a Phillips head screwdriver or drill to fasten the screws (N) directly into the wall.

Drywall installation:

One at a time insert anchors (O) into the wall at the marked locations using a hammer and a drill. Place the anti-tip bracket (P) over the anchors (O). Insert screws (N) through the anti-tip bracket (P) into the anchors (O) then, tighten with a Phillips head screwdriver or drill.

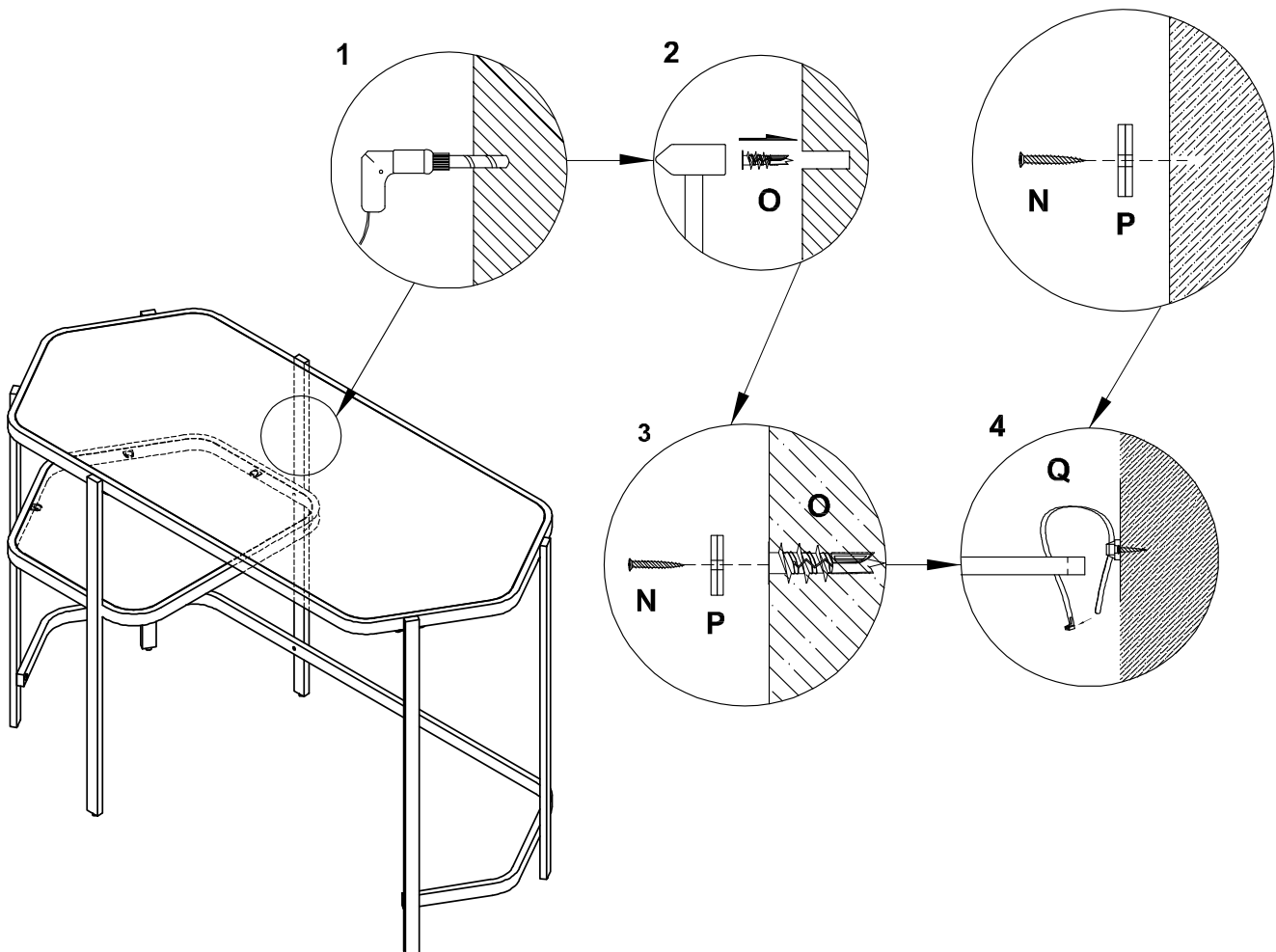
STEP 4

Insert the nylon strap (Q) through the hole in the anti-tip bracket (P) and around the center leg of the furniture. Insert the end of the nylon strap (Q) through the hole at its top and pull tight to secure the furniture.

The included hardware is intended for attachment to drywall or wooden wall surfaces. Contact your local hardware store to find the correct anchor for alternative wall types such as stone or brick.

Drywall installation:

Wood or Stud installation:



Assembly Instructions

STEP 5

Place the mirror (I) on the wall in a chosen location. Ensure the mirror (I) is leveled and mark the location of the key-holes in the mirror (I) on the wall.

Wood or Stud installation:

Use a Phillips head screwdriver to fasten the screws (N) directly into the wall at the marked locations. Leave 3/16" or 5mm between the top of the screws (N) and the wall.

Drywall installation:

Insert drywall anchors (O) into the wall at the marked locations using a drill and a hammer. Insert screws (N) into the anchors (O), then tighten with a Phillips head screwdriver. Leave 3/16" or 5mm between the top of the screws (N) and the wall.

STEP 6

Gently hang the mirror (I) on the screws (N). If the mirror slopes downward, tighten the gap between the top of the screws (N) and the wall. **DO NOT OVERTIGHTEN THE SCREWS (N).**

The included hardware is intended for attachment to drywall or wooden wall surfaces, contact your local hardware store to find the correct anchor for alternative wall-types such as stone or brick.

