

LUCIE NIGHTSTAND

Assembly Instructions

URBAN OUTFITTERS

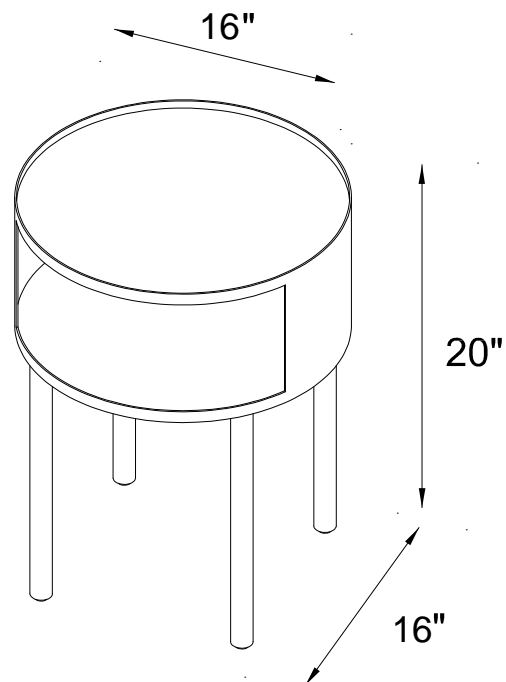
NO ADDITIONAL TOOLS REQUIRED

WARNINGS:

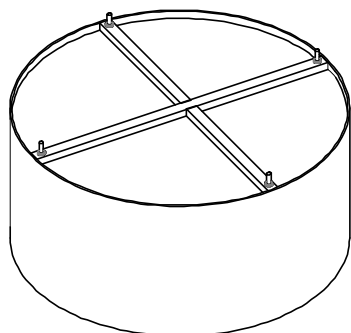
Do not throw away packing materials and carton until after assembly.
Ensure all parts are present prior to assembly.
Contact customer service immediately if parts are missing.
Assemble all parts on a clean smooth surface.

CARE INSTRUCTIONS:

Avoid direct exposure to sunlight.
Do not place overheat or air conditioning vents.
Adjust levelers so that the furniture sits flat on uneven floors.
Blot spills with a clean white cloth, do not rub.
Do not use harsh chemicals.
Before cleaning any part test a small spot in a hidden area.
You may need to re-tighten all bolts after initial use.



PARTS INCLUDED



A) Top



B) Metal Legs X4

LUCIE NIGHTSTAND

Assembly Instructions

URBAN OUTFITTERS

STEP 1

Align the metal legs (A) with top (B) as shown and screw the parts together clockwise until tight. Do not over-tighten the metal legs (A). With help, flip the table upright. Adjust the levelers just the levelers necessary to accommodate uneven floors.

