

Pierce Sconce

URBAN OUTFITTERS

Assembly Instructions

TOOLS REQUIRED BUT NOT INCLUDED:

Phillips head screwdriver, Pencil, Level

WARNINGS:

Do not throw away packing materials and carton until after assembly.

Ensure all parts are present prior to assembly.

Contact customer service immediately if parts are missing.

Assemble all parts on a clean smooth surface.

USE A TYPE A 60 WATT BULB, DO NOT EXCEED RECOMMENDED WATTAGE.

CARE INSTRUCTIONS:

Avoid direct exposure to sunlight.

Do not place over heat or air conditioning vents.

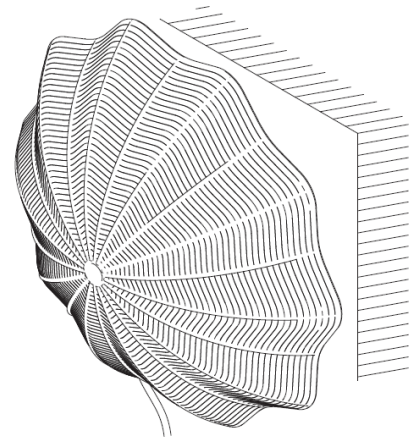
Adjust levelers so that the furniture sits flat on uneven floors.

Blot spills with a clean white cloth, do not rub.

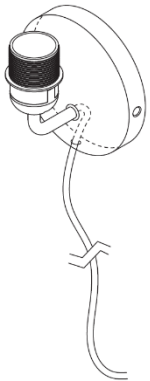
Do not use harsh chemicals.

Before cleaning any part test a small spot in a hidden area.

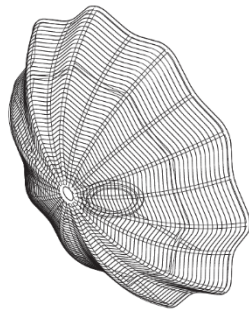
You may need to re-tighten all bolts after initial use.



PARTS INCLUDED:



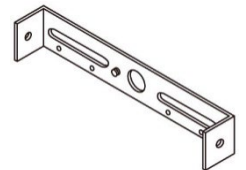
(A) Base



(B) Shade



(C) Socket Ring



(D) Mounting Bracket



(E) Screws

[0.26" DIA X 0.79" L] x2



(F) Wall Screw

[0.30" DIA X 0.98" L] x2



(G) Wall Anchor

[0.31" DIA X 0.98" L] x2

Assembly Instructions

STEP 1

A) Locate the desired position of the sconce on the wall. If attaching to drywall.

WOOD OR STUD INSTALLATION

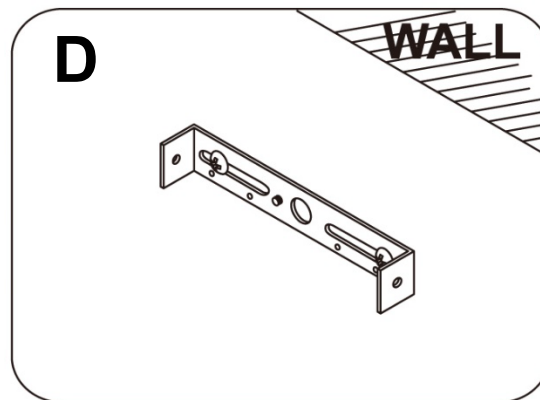
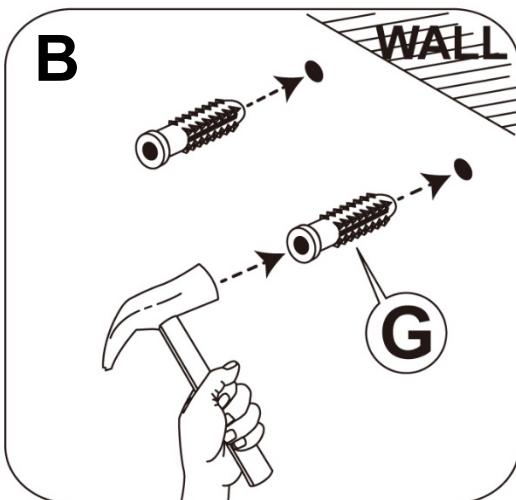
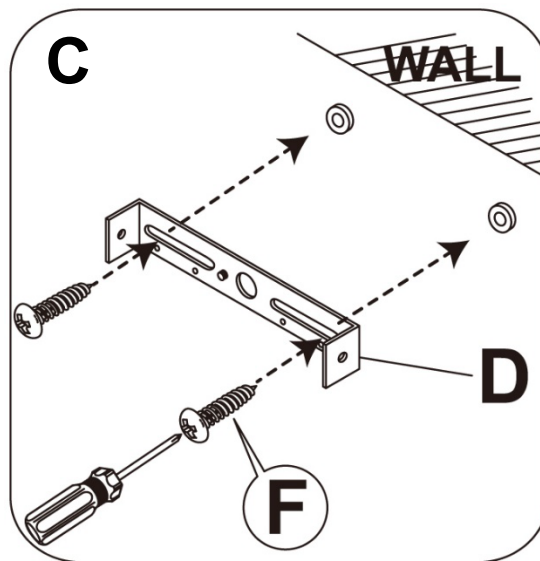
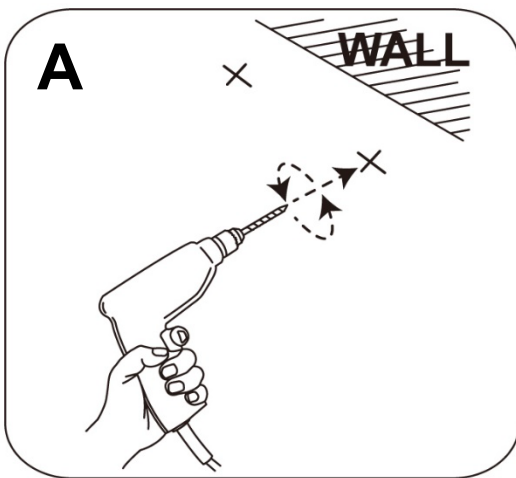
B) Place the Mounting Bracket (D) on the wall and insert Screws (F) through the bracket into the drywall. Tighten with a Phillips head screw driver or a drill.

DRYWALL INSTALLATION

Place the Mounting Bracket (D) on the wall and mark the location of the holes in the bracket on the wall.

Remove the Mounting Bracket (D) from the wall and pre-drill holes for the Wall anchors with a drill (not included) and insert the anchors. Place the Mounting Bracket (D) back over the wall anchors. Insert the Screws (F) and tighten with a Phillips head screw driver or a drill (not included).

The included hardware is intended for attachment to drywall or wooden wall surfaces, contact your local hardware store to find the correct anchor for alternative wall-types such as stone or brick.



Pierce Sconce

Assembly Instructions

URBAN OUTFITTERS

STEP 2

Place the Base (A) over the Mounting Bracket (D) as shown and insert the Screws (E). Tighten with a Phillips head screw driver (not included). Then, place the Shade (B) onto the base (A) and secure it by screwing the socket ring (C) onto the socket. Screw a Type A 60W bulb into the Base (A). Plug in the sconce to complete assembly.

