

MARINA VANITY WITH STOOL

URBAN OUTFITTERS

Assembly Instructions

TOOLS REQUIRED BUT NOT INCLUDED:

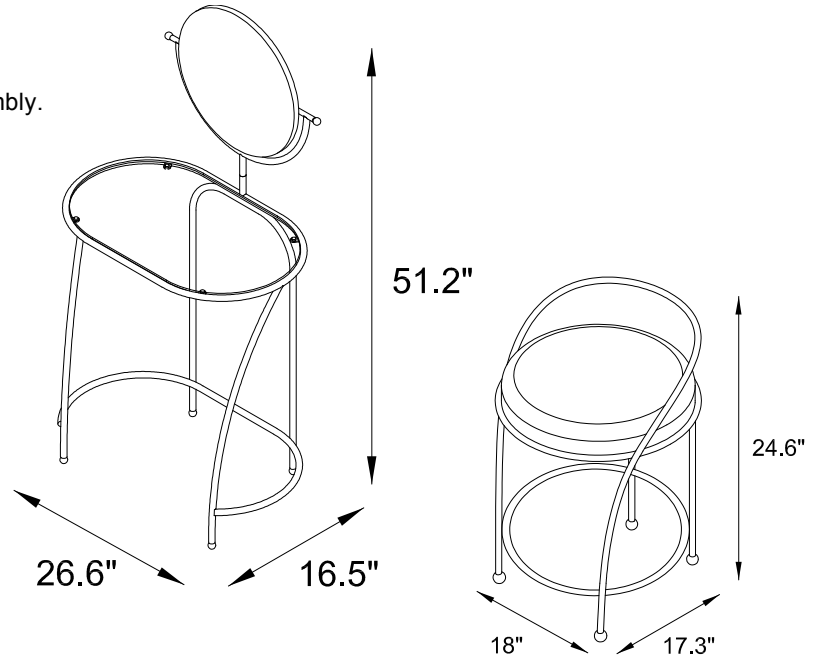
Phillips head screwdriver

WARNINGS:

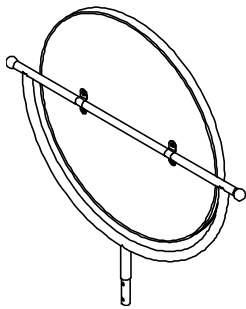
Do not throw away packing materials and carton until after assembly.
Ensure all parts are present prior to assembly.
Contact customer service immediately if parts are missing.
Assemble all parts on a clean smooth surface
Do not drag the vanity while moving.

CARE INSTRUCTIONS:

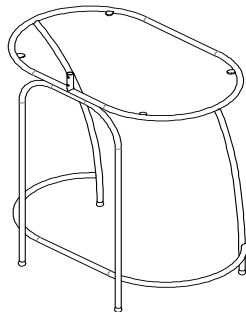
Avoid direct exposure to sunlight.
Do not place overheat or air conditioning vents.
Adjust levelers so that the furniture sits flat on uneven floors.
Blot spills with a clean white cloth, do not rub.
Do not use harsh chemicals.
Before cleaning any part test a small spot in a hidden area.
You may need to re-tighten all bolts after initial use.



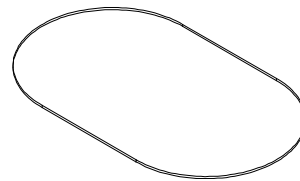
PARTS INCLUDED



A) Mirror



B) Metal Base



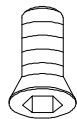
C) Glass



D) Metal Ball x4



E) Clear Glass Pad x4



F) Bolt [M5x10mm] x2



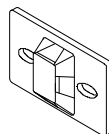
G) Allen Key



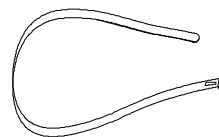
H) Wall Screw [4x32] x2



I) Drywall Anchor x2



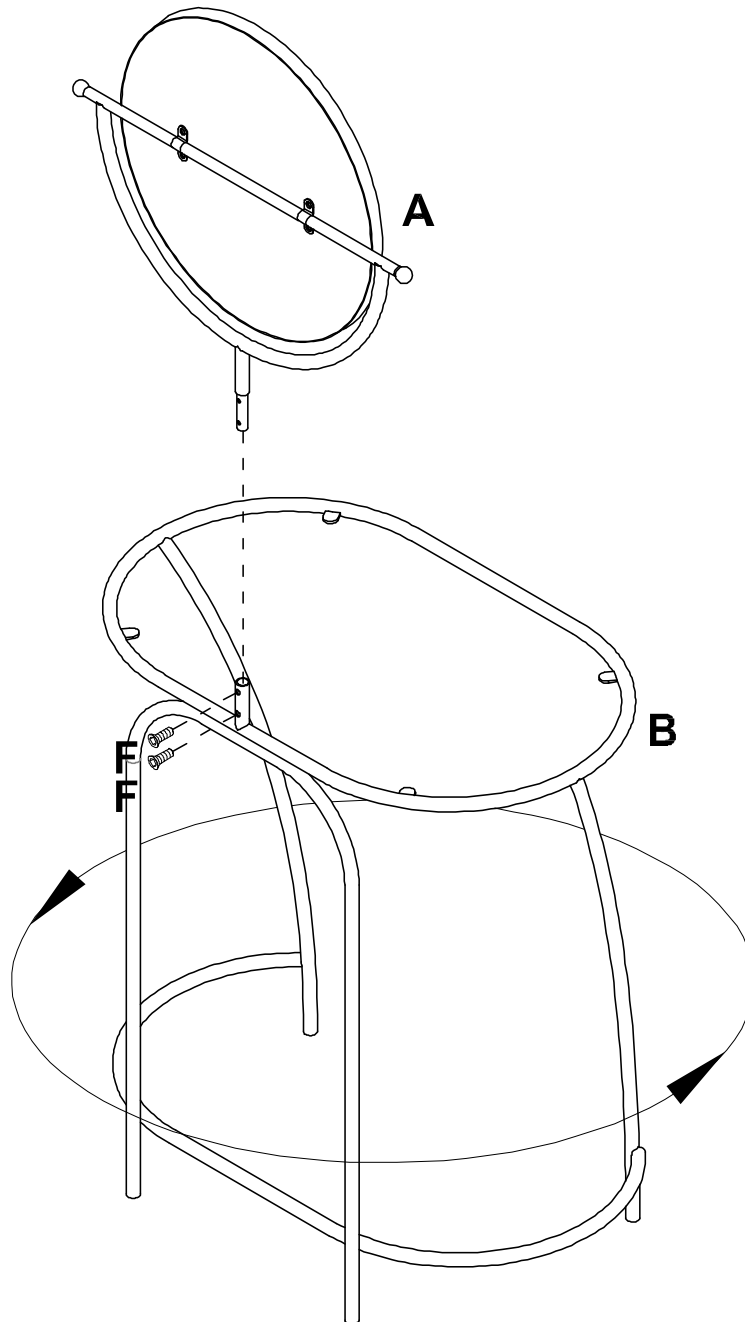
J) Anti-tip Kit



K) Nylon Strap

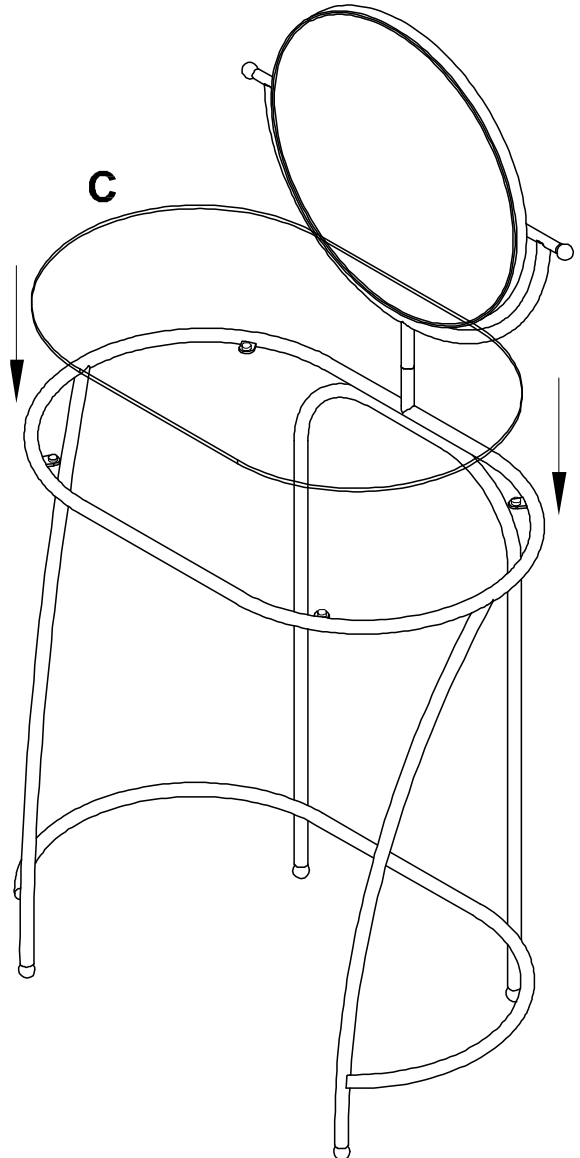
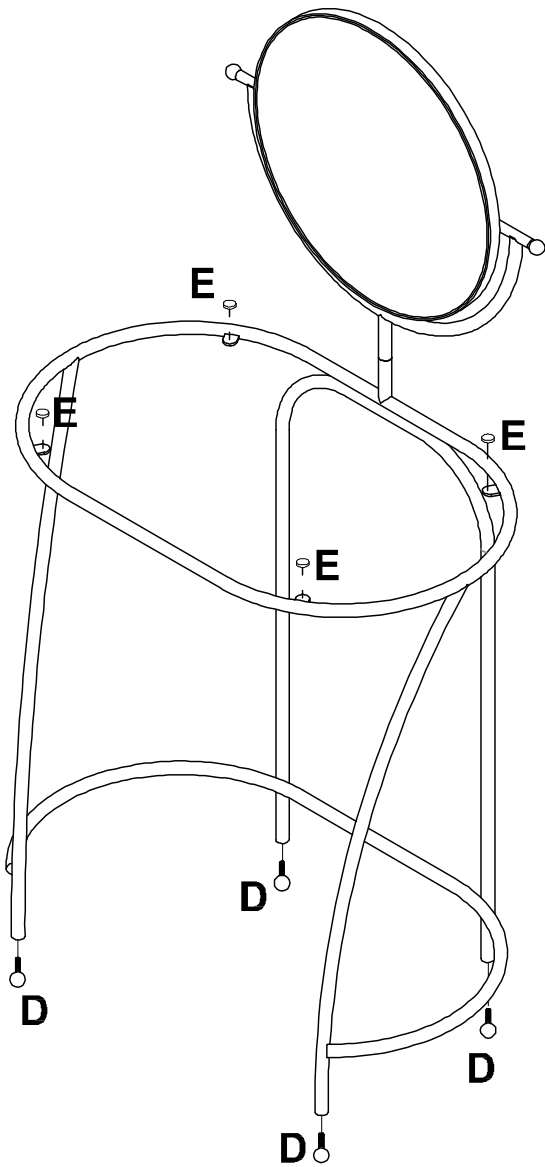
STEP 1

Align mirror (A) with metal base (B). Insert bolt (F) and partially tighten with Allen key (G). Once all bolts are inserted and partially tightened, fully tighten the bolts.



STEP 2

Screw the metal ball (D) onto the bottom of the vanity legs as shown. Place clear glass pads (E) onto the tabs on the frame then, gently place the glass (C) onto the tabs as shown.



MARINA VANITY WITH STOOL

Assembly Instructions

URBAN OUTFITTERS

STEP 3

Place the mirror against the wall in its desired location and mark the location of the hole in the anti tip bracket (J) on the wall. Attach the drywall anchor (I) into the wall at the marked location using a hammer and a Phillips head screwdriver (not included). Insert screws (H) through the anti-tip bracket (J) into the drywall anchors (I). Feed the Nylon strap (K) through the anti-tip kit (J) and through the cross rail on the mirror. Pull the nylon strap tight.

Warning: Young children may be injured by tipping furniture and the use of a tipping restraint is highly recommended. The tipping restraint is only a deterrent it is not a substitute for proper adult supervision.

