

Maisie Bookshelf

URBAN OUTFITTERS

Assembly Instructions

TOOLS REQUIRED BUT NOT INCLUDED:

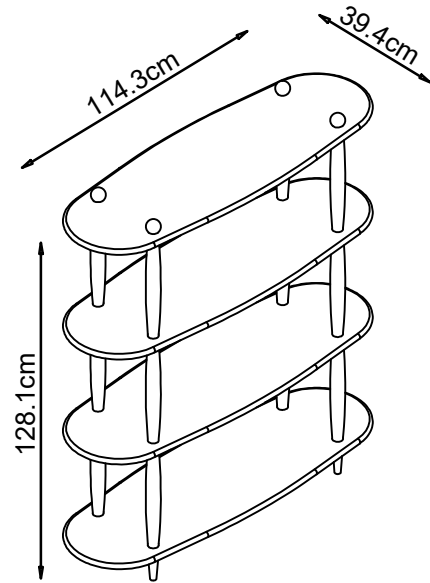
Phillips head screwdriver, Hammer, Pencil

WARNINGS:

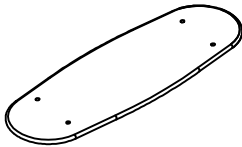
Do not throw away packing materials and carton until after assembly.
 Ensure all parts are present prior to assembly.
 Contact customer service immediately if parts are missing.
 Assemble all parts on a clean smooth surface.

CARE INSTRUCTIONS:

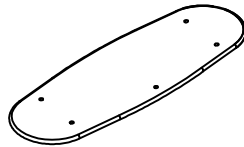
Avoid direct exposure to sunlight.
 Do not place over heat or air conditioning vents.
 Adjust levelers so that the furniture sits flat on uneven floors.
 Blot spills with a clean white cloth, do not rub.
 Do not use harsh chemicals.
 Before cleaning any part test a small spot in a hidden area.
 You may need to re-tighten all bolts after initial use.



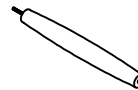
PARTS INCLUDED:



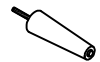
1) Shelf Panel
 (45 x 15.5 x 0.7") x 3
 or
 (114.3 x 39.4 x 1.8 cm)



2) Middle Panel
 (45 x 15.5 x 0.7") x 1
 or
 (114.3 x 39.4 x 1.8 cm)



3) Leg
 (15.3 x 1.7 x 1.7") x 12
 or
 (38.9 x 4.4 x 4.4 cm)



4) Leg
 (5.3 x 1.3 x 1.3") x 4
 or
 (13.4 x 3.2 x 3.2 cm)



5) Cap
 (1.7 x 1.7 x 1.4") x 4
 or
 (4.4 x 4.4 x 3.6 cm)



A) Bolt
 (D 0.47 / 0.24 x 0.59") x 1
 or
 (D 12 / 6 x 15 mm)



B) Spring Washer
 (D 0.47 / 0.24 x 0.08") x 1
 or
 (D 12 / 6 x 2 mm)



C) Flat Washer
 (D 0.63 / 0.24 x 0.08") x 2
 or
 (D 16 / 6 x 2 mm)



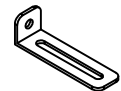
D) Allen Key
 (D 0.16 x 2.32") x 1
 or
 (D 4 x 59 mm)



E) Plastic Anchor
 (D 0.35 x 1.38") x 1
 or
 (D 9 x 35 mm)



F) Screw
 (D 0.16 x 1.18") x 1
 or
 (D 4 x 30 mm)



G) L Shaped Metal
 (2.76 x 0.79 x 0.08") x 1
 or
 (70 x 20 x 2 mm)

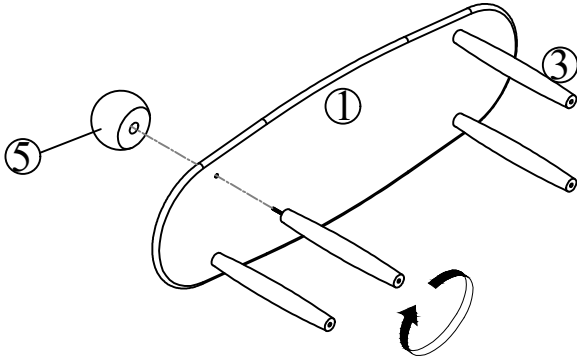
Maisie Bookshelf

URBAN OUTFITTERS

Assembly Instructions

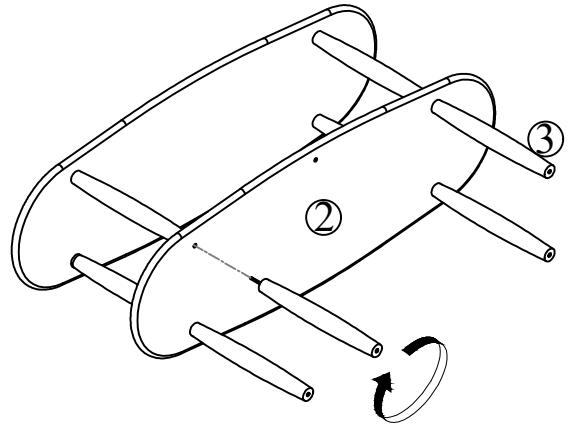
STEP 1

Insert the legs (3) through the shelf panel (1) then, screw the caps (5) onto the legs (1) as shown.



STEP 2

Align the middle panel (2) with the attached legs (3) as shown. Insert additional legs (3) through the middle panel (2) and screw them into the attached legs (3) as shown.

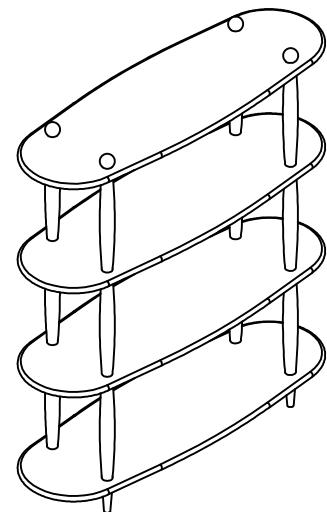
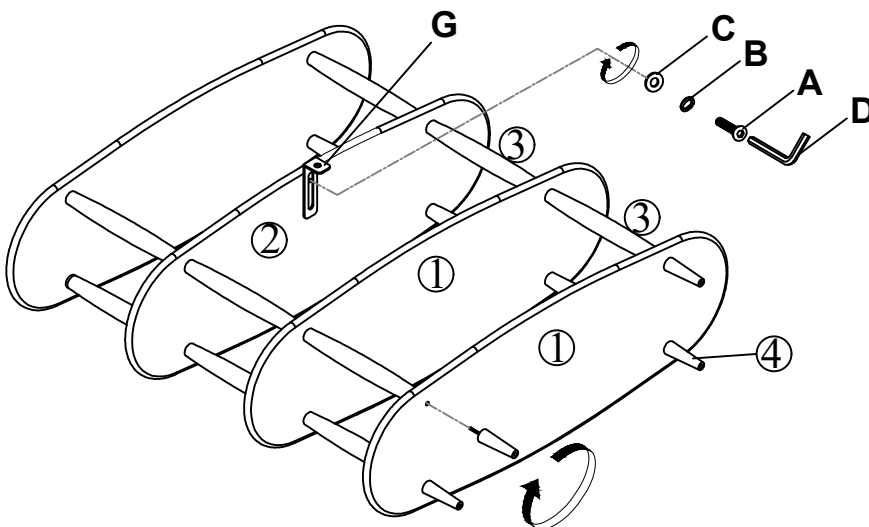


STEP 3

Repeat STEP 2 using the additional shelves (1), legs (3) and the legs (4) to attach the last shelf (1) as shown. Align the L Shaped Metal (G) to the Middle Panel (2) as shown. Insert the Bolt (A), Spring Washer (B), Flat Washer (C) as shown then, tighten with Allen Key (D).

STEP 4

With help, flip the furniture upright.

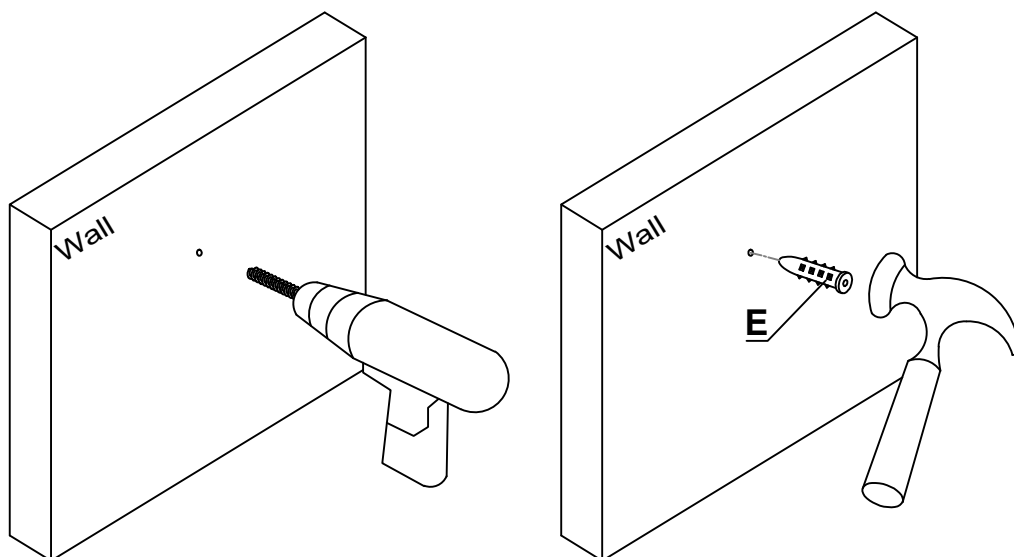


Assembly Instructions

STEP 5

Place the Furniture on the wall in its desired location. Ensure it is level and mark the location of the mounting hole in the L Shaped Metal (G) on the wall. Pre-drill holes for the Anchor (E) at the marked hole locations using a drill and use a hammer to tap it into the wall. **If attaching directly to studs, you do not need to install the plastic Anchor (E).**

The included hardware is intended for attachment to drywall or wooden wall surfaces, contact your local hardware store to find the correct anchor for alternative wall-types such as stone or brick.



STEP 6

Place the Furniture back over the hole on the wall, insert Screw (F) into the Plastic Anchor (E) or directly into the stud depending on your wall type. Finish the installation.

