

ELIORA COFFEE TABLE

URBAN OUTFITTERS

Assembly Instructions

TOOLS REQUIRED BUT NOT INCLUDED

Drill, Hammer, Phillips head screwdriver, Pencil

WARNINGS:

Do not discard packing materials and the carton until assembly is complete.

Ensure all parts are present prior to assembly.

Contact customer service immediately if any parts are missing.

Assemble all parts on a clean, smooth surface.

CARE INSTRUCTIONS:

Avoid direct exposure to sunlight.

Blot spills with a clean, white cloth; do not rub.

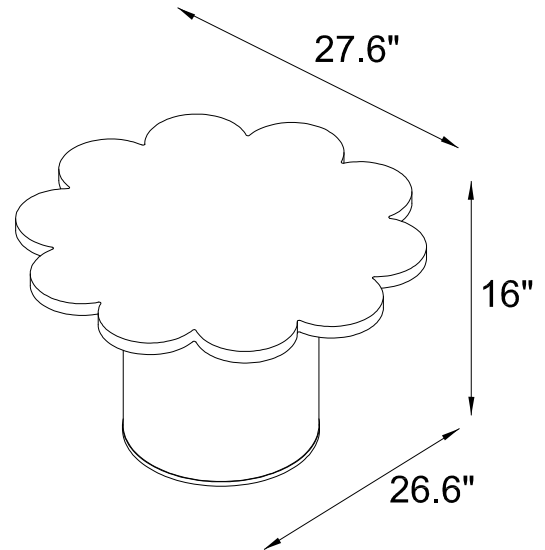
Do not use harsh chemicals.

Before cleaning any part, test a small spot in a hidden area.

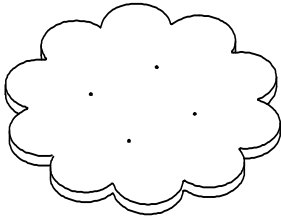
Do not place over heat or air conditioning vents.

Do not over-tighten the parts.

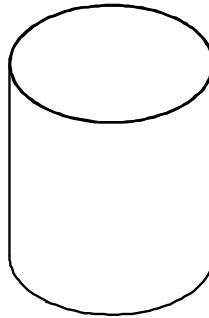
The parts may loosen after initial use; re-tighten as necessary.



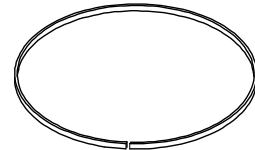
PARTS INCLUDED



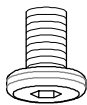
A) Top



B) Base



C) Plastic Strip



D) Bolt
[M6x15mm] x4



E) Allen Key

ELIORA COFFEE TABLE

URBAN OUTFITTERS

Assembly Instructions

STEP 1

Lay all the parts upside down onto a clean carpet or cardboard for assembly. Align top (A) with base (B) then, insert bolts (D) and fully tighten them with Allen key (E). Place the plastic strip around the edge of the base (B) to protect the coffee table and floor surfaces prone to scratching.

