

Cam Laquer Shelf

Assembly Instructions

URBAN OUTFITTERS

TOOLS REQUIRED BUT NOT INCLUDED:

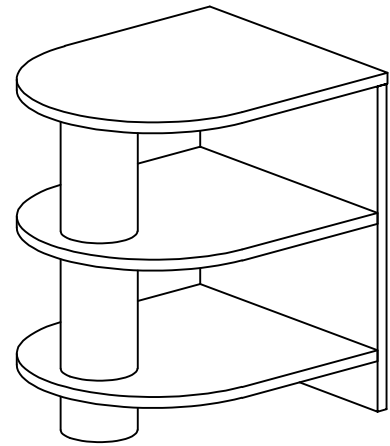
Phillips head screwdriver

WARNINGS:

Do not discard packing materials and the carton until assembly is complete. Ensure all parts are present prior to assembly. Contact customer service immediately if any parts are missing. Assemble all parts on a clean, smooth surface.

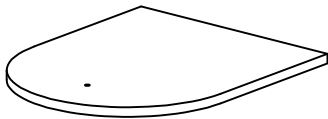
CARE INSTRUCTIONS:

Avoid direct exposure to sunlight.
Blot spills with a clean, white cloth; do not rub.
Do not use harsh chemicals.
Before cleaning any part, test a small spot in a hidden area.
Do not place over heat or air conditioning vents.
Do not over-tighten the parts.
The parts may loosen after initial use; re-tighten as necessary.



16 3/4"W x 13 1/4"D x 18"H

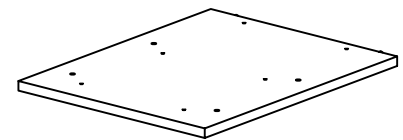
PARTS INCLUDED:



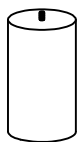
(A) Top panel x1



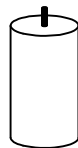
(B) Shelf panel x2



(C) Side panel x1



(D) Top pillar x1



(E) Middle pillar x1



(F) Leg x1



(G) Bracket x6



(H) Bolt
[M6 x 12mm] x12



(I) Allen key x1

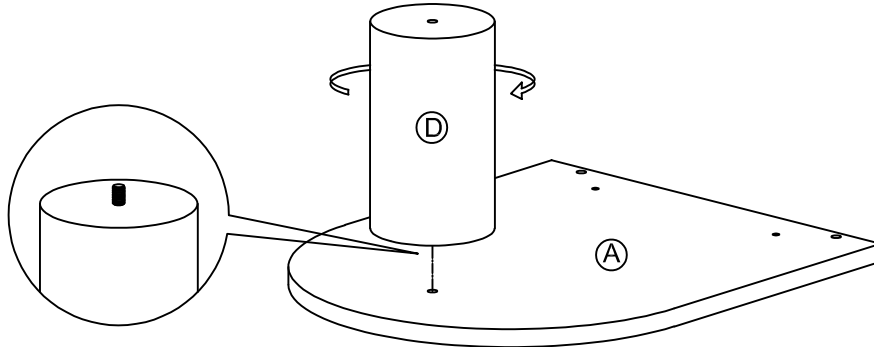
Cam Laquer Shelf

URBAN OUTFITTERS

Assembly Instructions

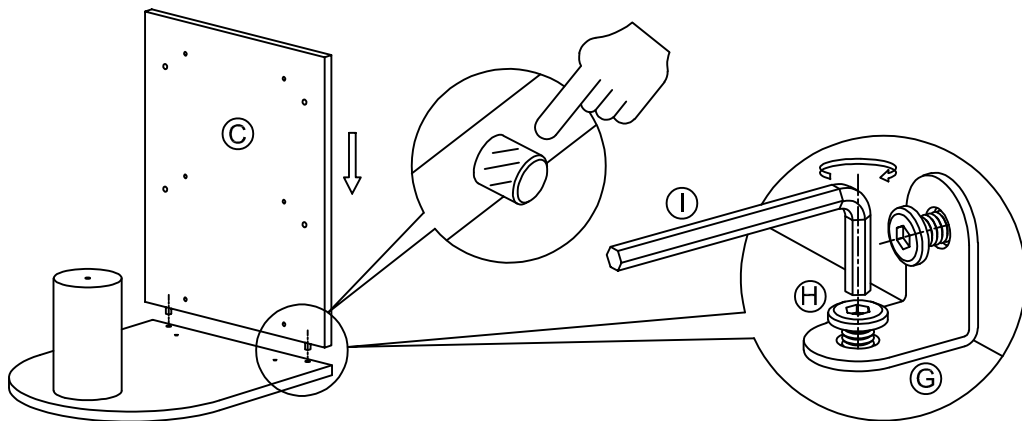
STEP 1

Carefully unpack the side table and place the contents on a soft, clean surface. Screw the top pillar (D) clockwise into the bottom of the top panel (A) as shown below.



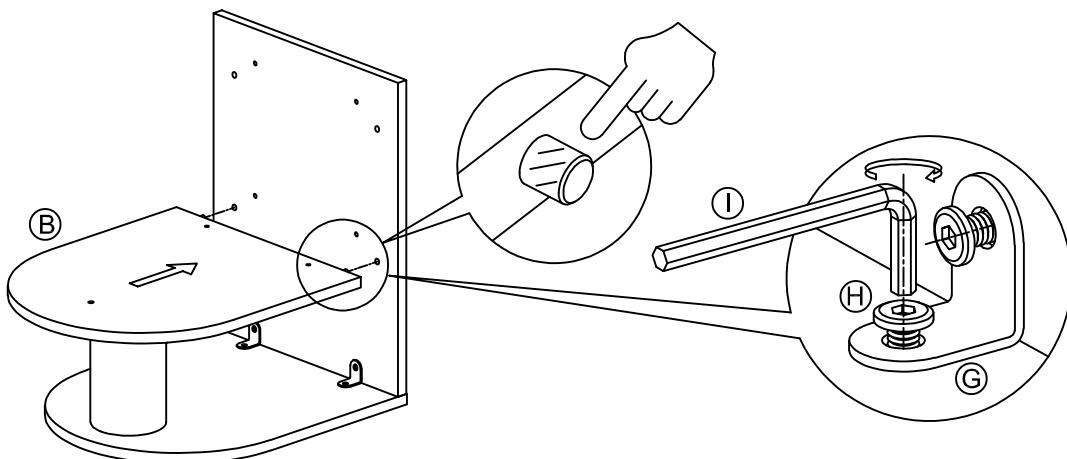
STEP 2

Attach the side panel (C) to the top panel by inserting the wooden dowels into the holes on the top panel. Then use two brackets (G) and four bolts (H) to connect the side panel and the top panel. Tighten all bolts using the Allen key (I).



STEP 3

Attach the shelf panel (B) to the side panel (C) by inserting the wooden dowels on the edge of the shelf panel into the holes in the side panel. Then use two brackets (G) and four bolts (H) to connect the side panel and the shelf panel. Tighten all bolts using the Allen key (I).



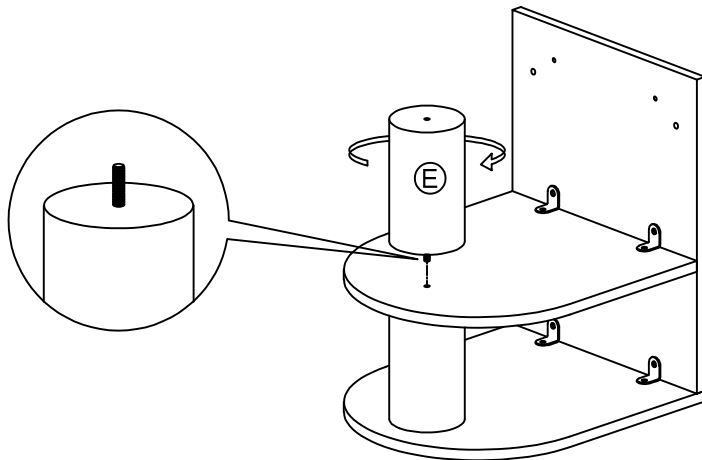
Cam Laquer Shelf

URBAN OUTFITTERS

Assembly Instructions

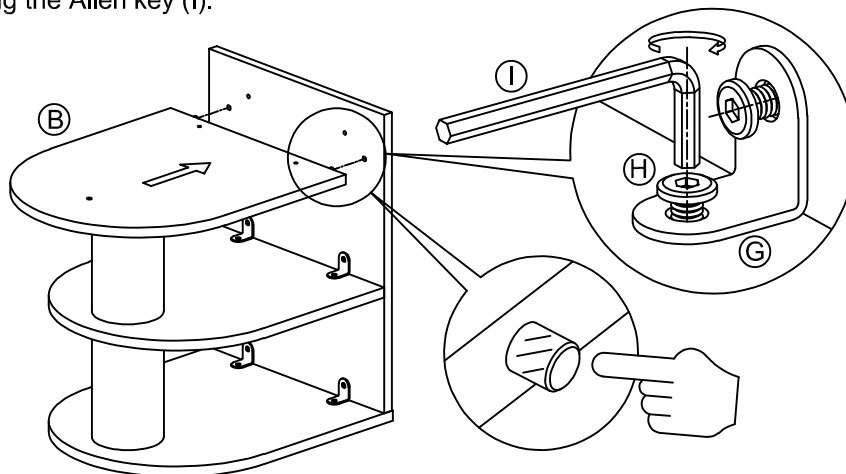
STEP 4

Screw the middle pillar (E) clockwise into the bottom of the shelf panel (B) as shown below.



STEP 5

Attach the shelf panel (B) to the side panel (C) by inserting the wooden dowels on the edge of the shelf panel into the holes in the side panel. Then use two brackets (G) and four bolts (H) to connect the side panel and the shelf panel. Tighten all bolts using the Allen key (I).



STEP 6

Screw the leg (F) clockwise into the bottom of the shelf panel (B) as shown below.

