

Assembly Instructions

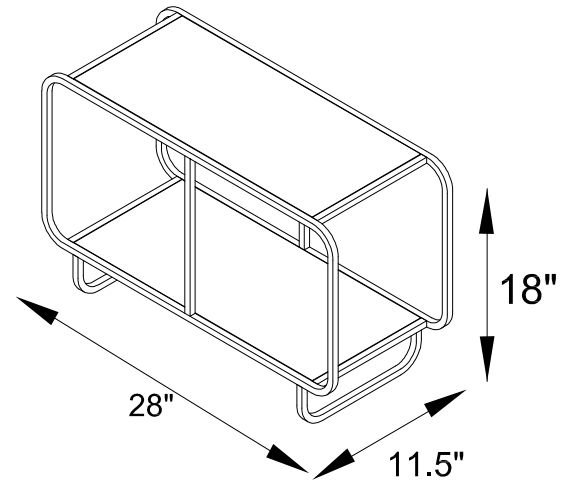
TOOLS REQUIRED BUT NOT INCLUDED: NONE

WARNINGS:

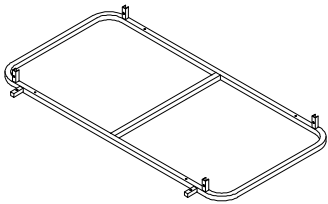
Do not throw away packing materials and carton until after assembly.
Ensure all parts are present prior to assembly.
Contact customer service immediately if parts are missing.
Assemble all parts on a clean smooth surface
Do not drag the shelf while moving.

CARE INSTRUCTIONS:

Avoid direct exposure to sunlight.
Do not place overhead or air conditioning vents.
Adjust levelers so that the furniture sits flat on uneven floors.
Blot spills with a clean white cloth, do not rub.
Do not use harsh chemicals.
Before cleaning any part test a small spot in a hidden area.
You may need to re-tighten all bolts after initial use.



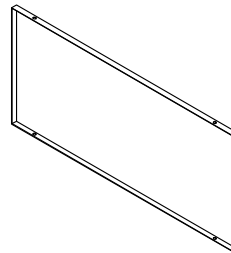
PARTS INCLUDED



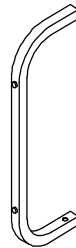
A) Metal Frame x2



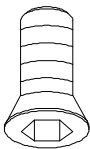
B) Cross Rail x4



C) Metal Shelf x2



D) Metal Leg x2



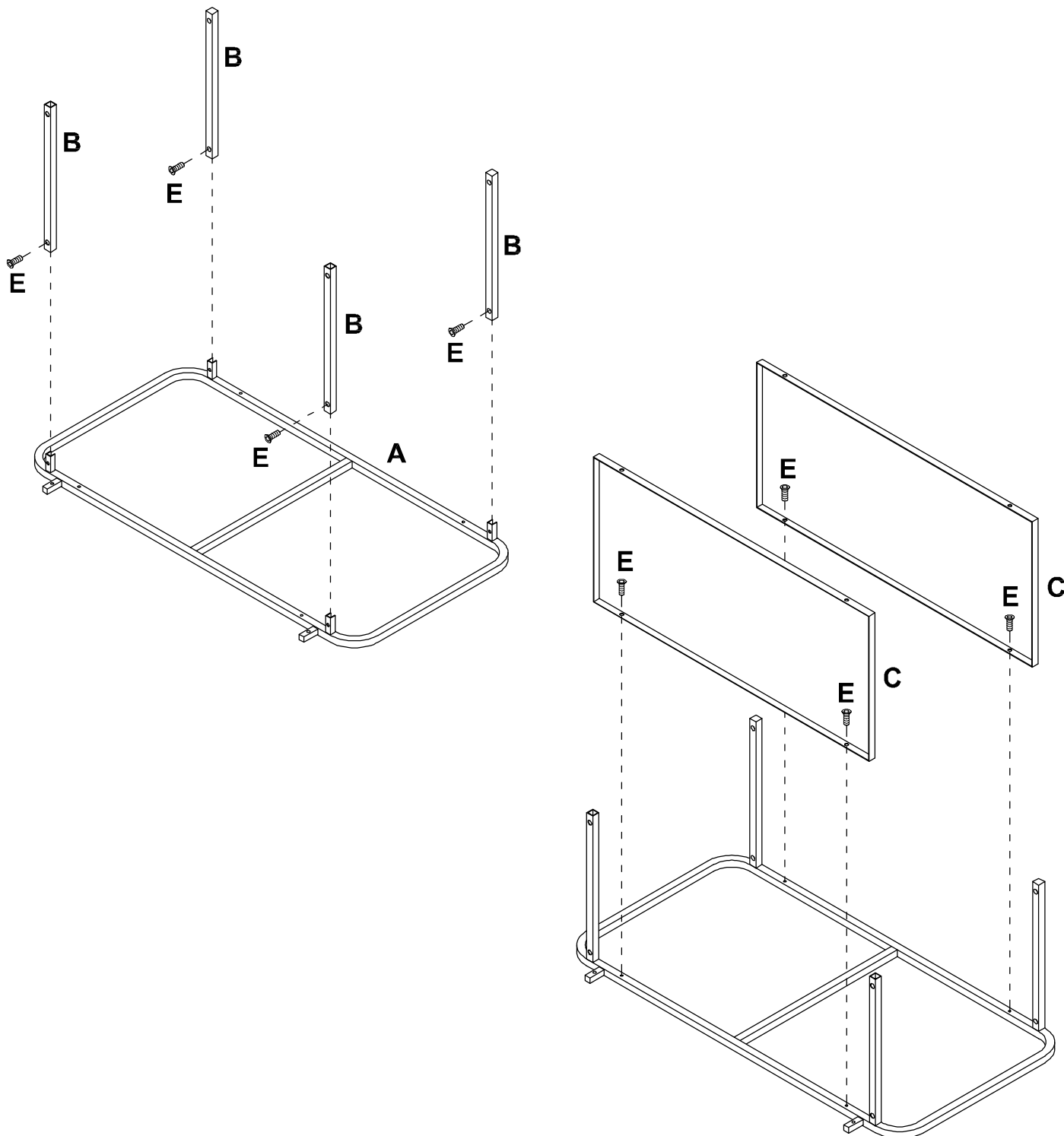
E) Bolt [M5x10mm] x20



F) Allen Key

STEP 1

Lay down all the parts on a clean carpet or cardboard for assembly. Align metal Frame (A), with cross rail (B). Insert bolts (E) and partially tighten with Allen key (F). Align metal frame (A) with metal shelves (C). Insert bolts (E) and partially tighten with Allen key (F). Once all bolts are inserted and partially tightened, fully tighten the bolts.



STEP 2

Align metal frame (A) with the partially assembled shelf. Insert bolts (E), and partially tighten with supplied Allen key (F). Align both metal legs (D) with the partially assembled shelf as shown. Insert bolts (E) and partially tighten with Allen Key (F). Once all bolts are inserted and partially tightened, fully tighten the bolts. Carefully flip the table upright to complete assembly.

