

SILAS WALL DOUBLE SHELF

URBAN OUTFITTERS

Assembly Instructions

TOOLS REQUIRED BUT NOT INCLUDED:

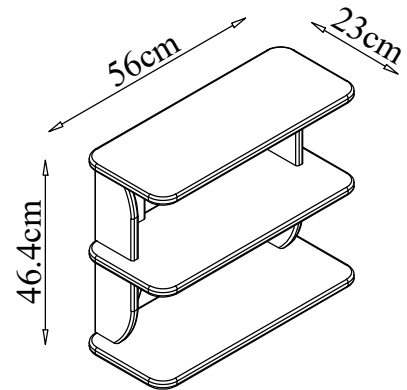
Screwdriver, Drill, Hammer

WARNINGS:

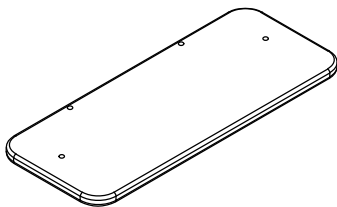
Do not throw away packing materials and carton until after assembly.
Assemble all parts on a clean smooth surface
Shelf is rated to hold up to 35 lbs.

CARE INSTRUCTIONS:

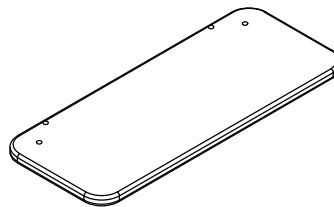
Avoid direct exposure to sunlight. Do not place overheat or air conditioning vents. Adjust levelers so that the furniture sits flat on uneven floors. Blot spills do not rub, with a clean white cloth.
Do not use harsh chemicals.
Before cleaning any part test a small spot in a hidden area.
You may need to re-tighten all bolts after initial use.



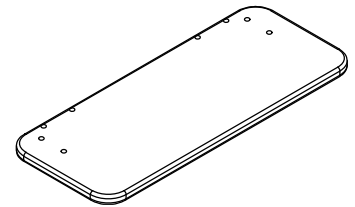
PARTS INCLUDED:



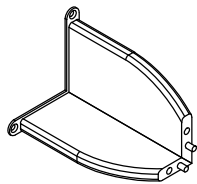
1) Top Panel
(22 x 9 x 0.7") x 1
or
56 x 23 x 1.8 cm



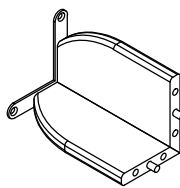
2) Shelf
(22 x 9 x 0.7") x 1
or
56 x 23 x 1.8 cm



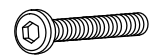
3) Bottom
(22 x 9 x 0.7") x 1
or
56 x 23 x 1.8 cm



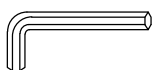
4) Leg
(5.7 x 4.9 x 8.1") x 2
or
14.4 x 12.5 x 20.5 cm



5) Leg
(4.9 x 4.1 x 8.1") x 2
or
12.4 x 10.5 x 20.5 cm



A) Bolt
(D 0.47 / 0.24 x 1.18") x 10
or
(D 12 / 6 x 30 mm)



B) Allen Key
(D 0.16 x 2.32") x 1
or
(D 4 x 59 mm)



C) Bolt
(D 0.47 / 0.24 x 0.59") x 8
or
(D 12 / 6 x 15 mm)



D) Plastic Anchor
(D 0.35 x 1.38") x 2
or
(D 9 x 35 mm)



E) Screw
(D 0.16 x 1.18") x 2
or
(D 4 x 30 mm)

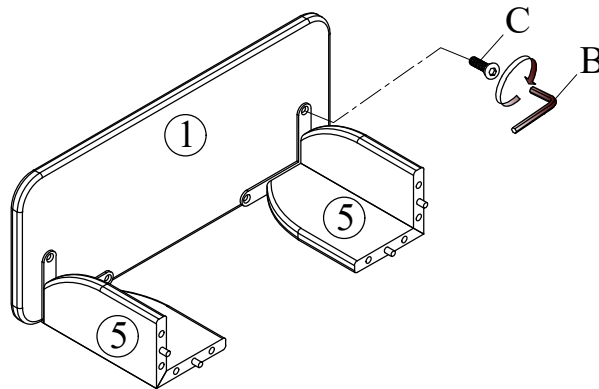
SILAS WALL DOUBLE SHELF

URBAN OUTFITTERS

Assembly Instructions

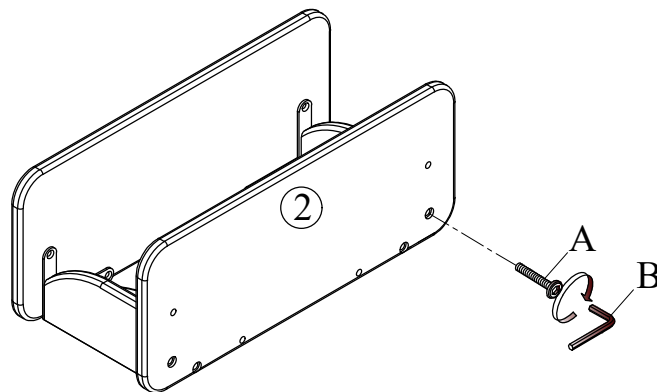
STEP 1

Assemble the top panel (1) to two legs (5) with bolt (C) using Allen key (B) as shown.



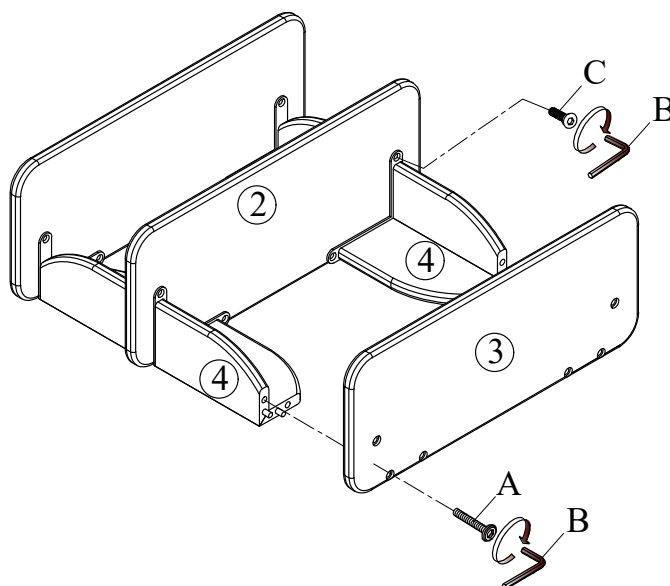
STEP 2

Attach the shelf (2) with bolt (A) using Allen key (B) as shown.



STEP 3

Attach two legs (4) to the shelf (2) with bolt (C) * Allen key (B) as shown. Then, attach the bottom (3) to two legs (4) with bolt (A) * Allen key (B) as shown.



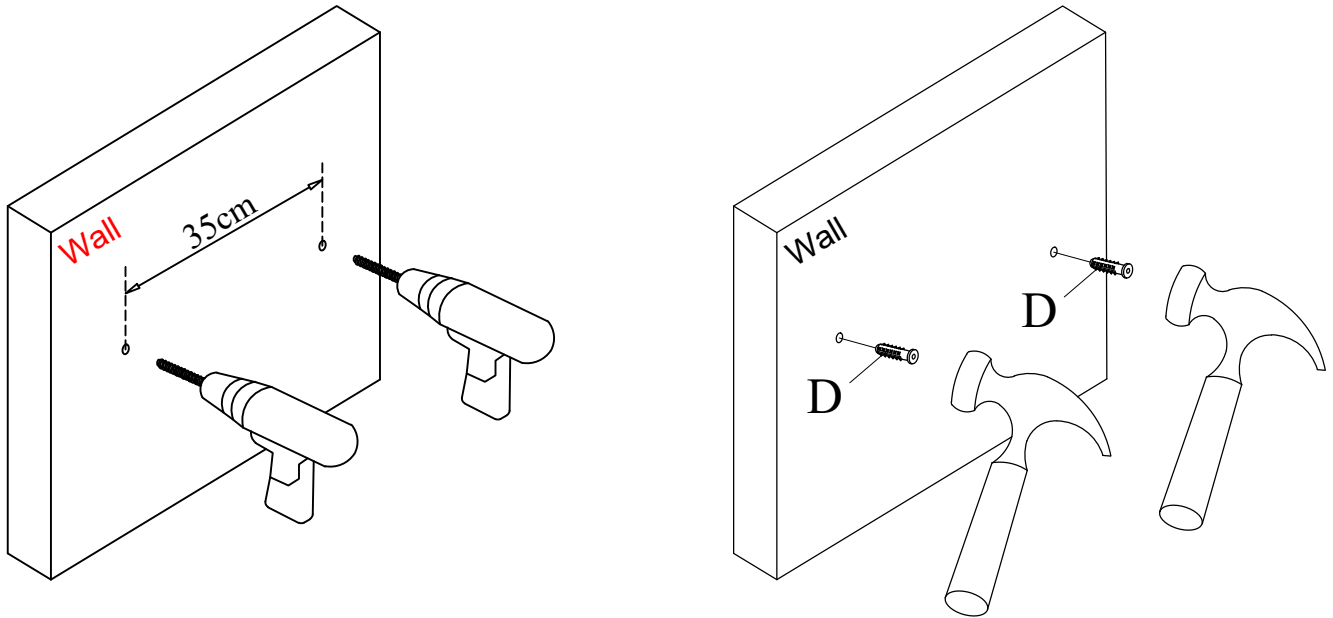
SILAS WALL DOUBLE SHELF

URBAN OUTFITTERS

Assembly Instructions

STEP 2

Place the shelf on the wall in its desired location. Ensure the shelf is level and mark the location of the mounting holes in the shelf on the wall (see dimensions below). Pre-drill hole for the plastic anchor (D) at the marked hole location using a drill and use a hammer to tap it into the wall. If attaching directly to studs, you do not need to install the plastic anchors (D).



STEP 3

Insert screws (E) into the plastic anchors or directly into a stud, leaving 1/4" of the screws (E) out of the wall. Place the shelf back over the screw (E) to finish the installation.

