

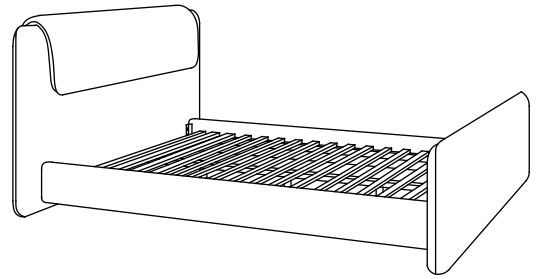
Sanna Queen Bed

URBAN OUTFITTERS

Assembly Instructions

TOOLS REQUIRED BUT NOT INCLUDED:

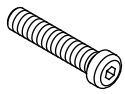
Do not throw away packing materials and carton until after assembly.
Assemble all parts on a clean smooth surface



CARE INSTRUCTIONS:

Avoid direct exposure to sunlight. Do not place over heat or Air conditioning vents.
Adjust levelers so that the furniture sits flat on uneven floors.
Blot spills do not rub, with a clean white cloth.
Do not use harsh chemicals.
Before cleaning any part test a small spot in a hidden area.
You may need to re-tighten all bolts after initial use.

PARTS INCLUDED



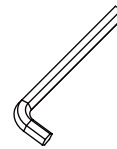
(A) BOLT
M8 x 35mm 12x



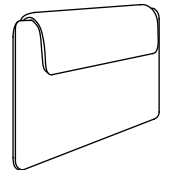
(B) Flat Washer
M8 x 18mm 12x



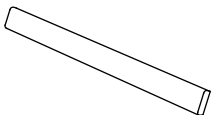
(C) Spring Washer
M8x10mm 12x



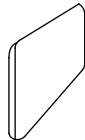
(D) Hex Key
1x



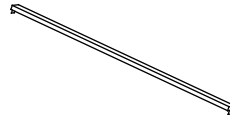
(E) Headboard 1x



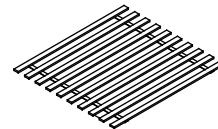
(F) Side rail
2x



(G) Footboard
1x



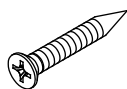
(H) Center rail
1x



(I) Roll Slats
1x



(J) Middle Legs
3x



(K) screw
51x

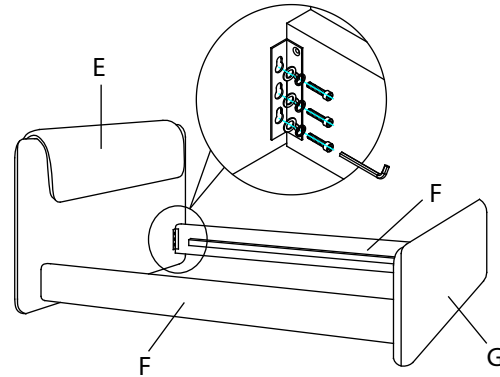
Sanna Queen Bed

URBAN OUTFITTERS

Assembly Instructions

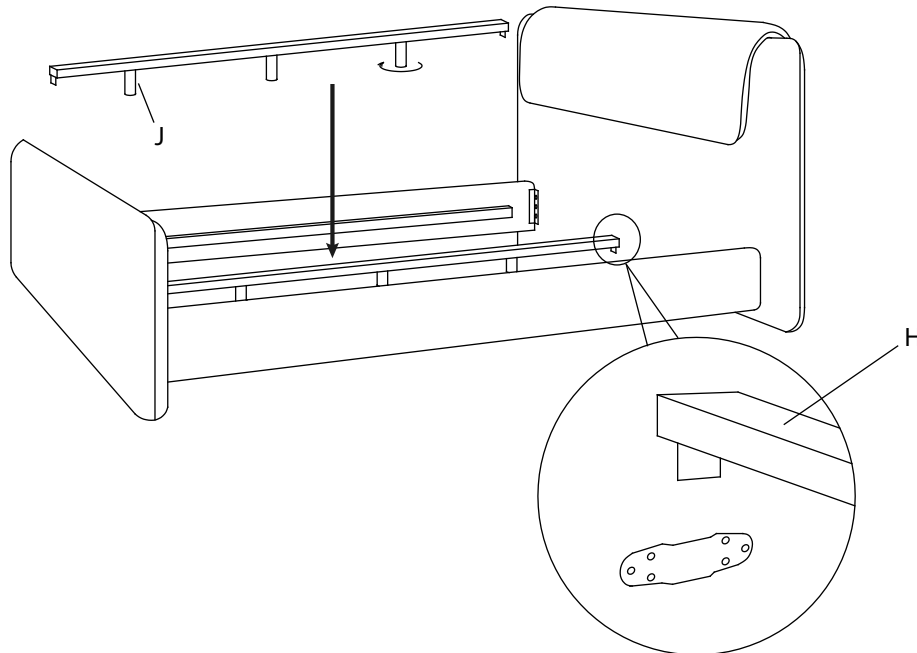
Step 1:

With help align the Side Rails (F) with the Headboard (E). Hang and align the iron corner bracket on the bolts as shown. Tighten with Wrench (D). Align the Footboard (G) with the Side Rail (F). Hang and align the iron corner bracket on the bolts as shown. Tighten with Wrench (D).



Step 2:

Align Center Rail (H) with the Headboard and Footboard brackets as shown below. Press firmly into place. Screw in Middle Legs (J) into the Center Rail as shown. Adjust the Levelers until they touch the floor.



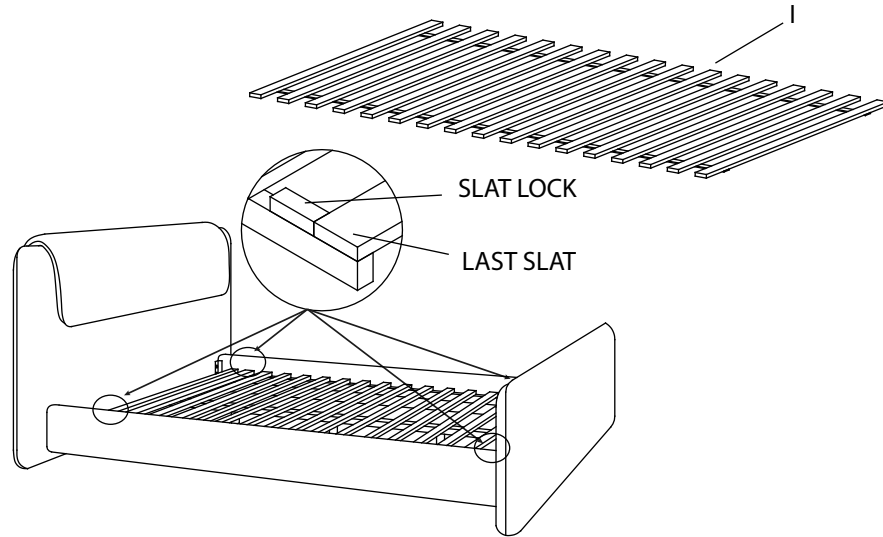
Sanna Queen Bed

URBAN OUTFITTERS

Assembly Instructions

Step 3:

1. Make sure your bed is fully assembled and bolts are tight.
2. With help unroll the slats onto a clean smooth surface.
3. With help carefully lay the roll slats into the bed frame.
4. Locate the "Slat Blocks" mounted on the side rails.
5. The last slat roll will lock the Slat blocks as shown below.



Step 4:

Screw in each rail with Screws (K). You may need to re-tighten all bolts after use.

