

# BETTY SIDE TABLE

URBAN OUTFITTERS

## Assembly Instructions

### TOOLS REQUIRED BUT NOT INCLUDED:

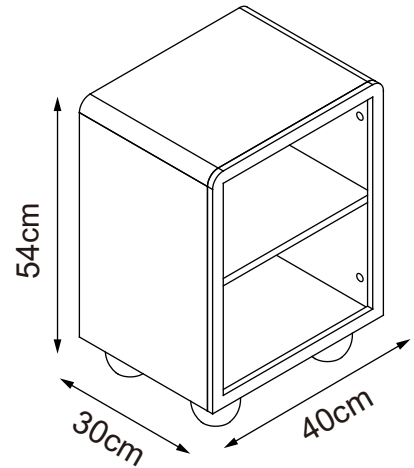
Phillips head screw driver

### WARNINGS:

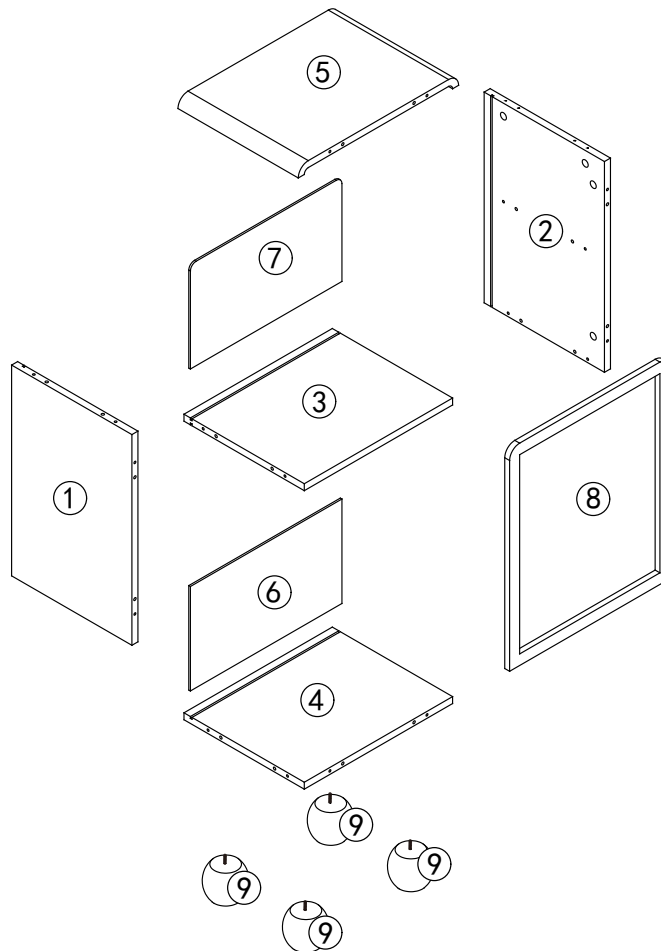
Do not throw away packing materials and carton until after assembly.  
Ensure all parts are present prior to assembly.  
Contact customer service immediately if parts are missing.  
Assemble all parts on a clean smooth surface.

### CARE INSTRUCTIONS:

Avoid direct exposure to sunlight.  
Do not place over heat or air conditioning vents.  
Adjust levelers so that the furniture sits flat on uneven floors.  
Blot spills with a clean white cloth, do not rub.  
Do not use harsh chemicals.  
Before cleaning any part test a small spot in a hidden area.  
You may need to re-tighten all bolts after initial use.



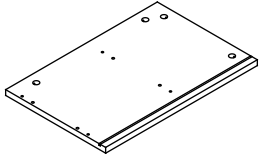
### PARTS INCLUDED:



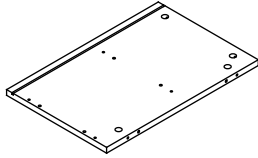
# BETTY SIDE TABLE

URBAN OUTFITTERS

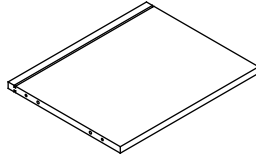
## Assembly Instructions



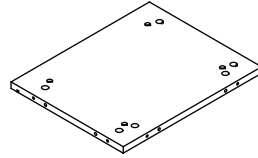
① X1



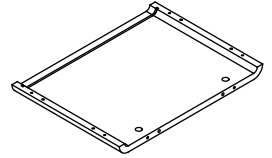
② X1



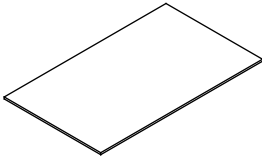
③ X1



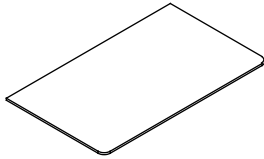
④ X1



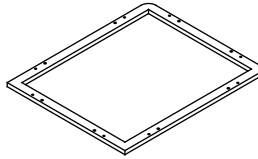
⑤ X1



⑥ X1



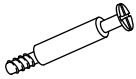
⑦ X1



⑧ X1



⑨ X4



(a) Cam bolt  
[M6x35mm] x20pcs



(b) Cam lock  
[M15x9mm] x20pcs



(c) Wooden Dowel  
[Ø6x30mm] x20pcs



(d) Protection Pad  
x4pcs



(e) Wedge  
x8pcs



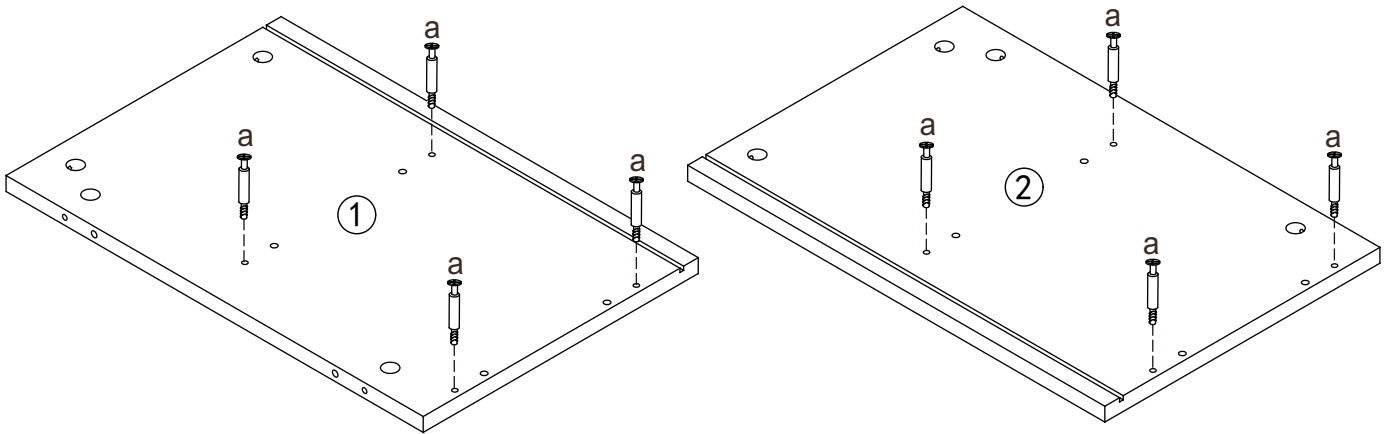
(f) Screw  
[M3x14mm] x8pcs

# BETTY SIDE TABLE

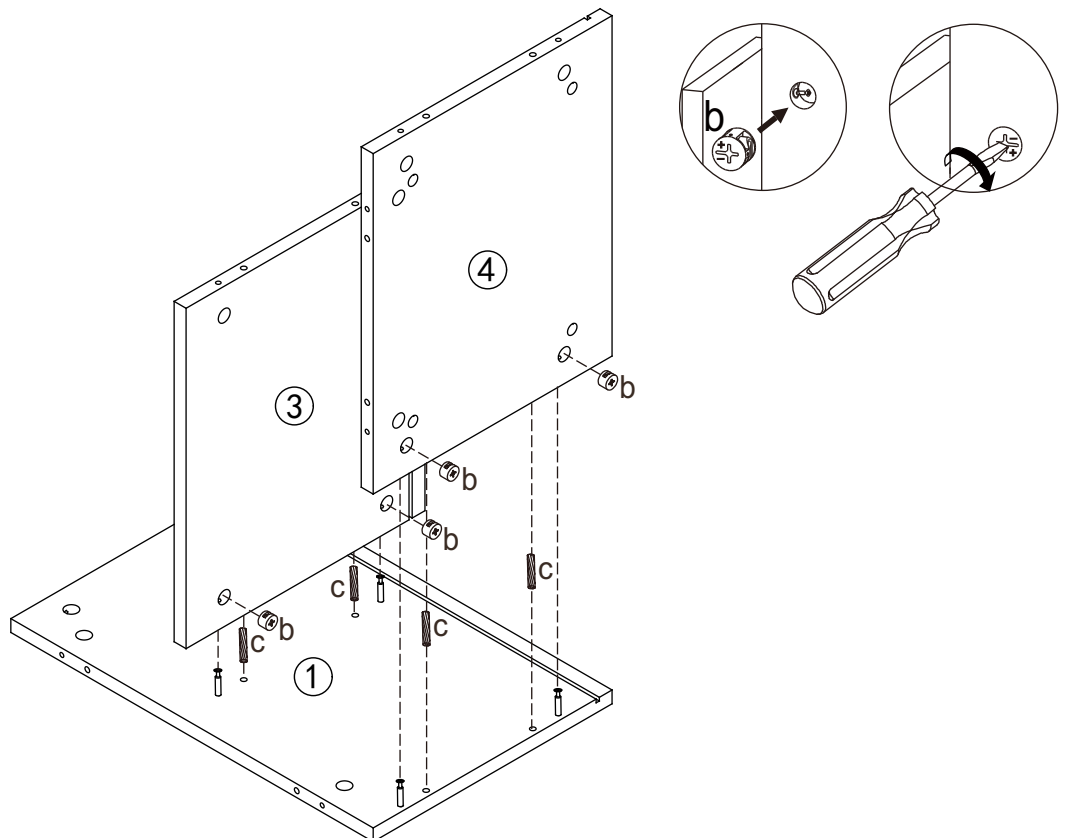
URBAN OUTFITTERS

## Assembly Instructions

### STEP 1



### STEP 2

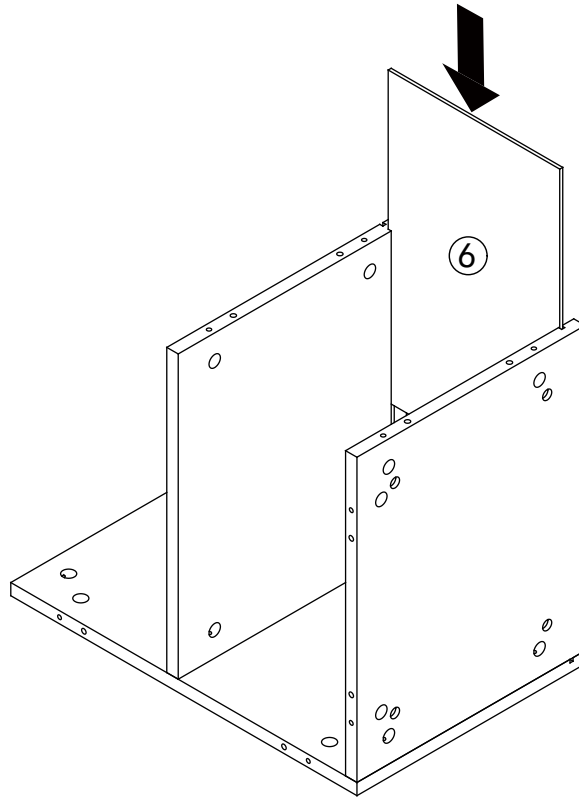


# BETTY SIDE TABLE

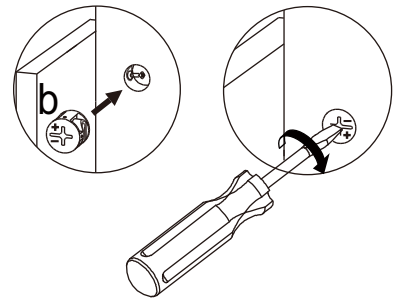
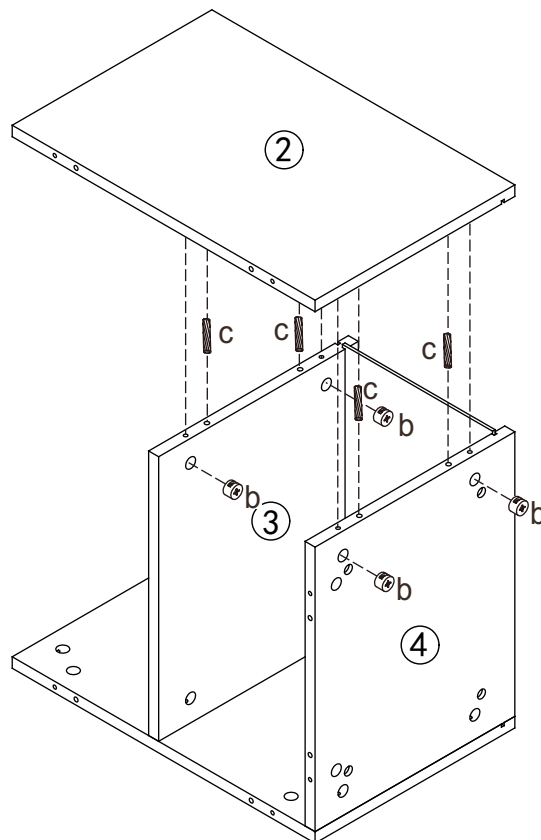
URBAN OUTFITTERS

Assembly Instructions

## STEP 3



## STEP 4

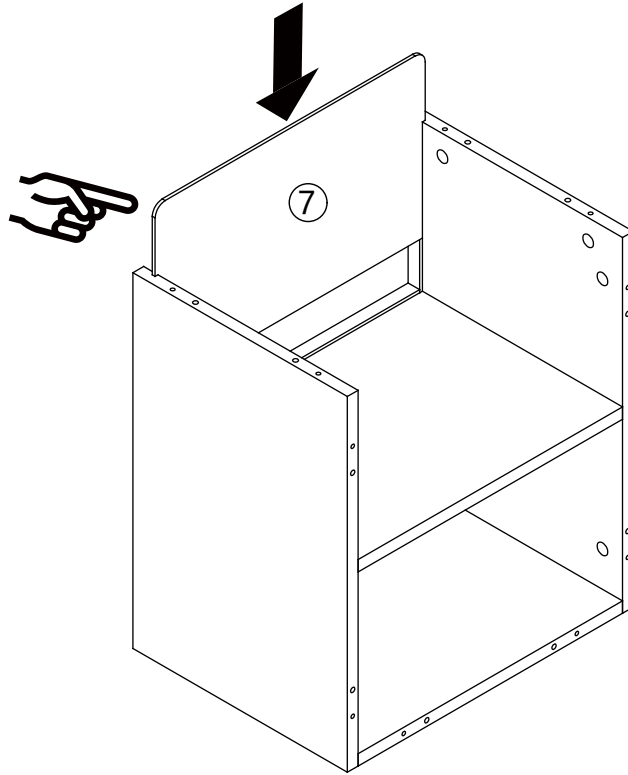


# BETTY SIDE TABLE

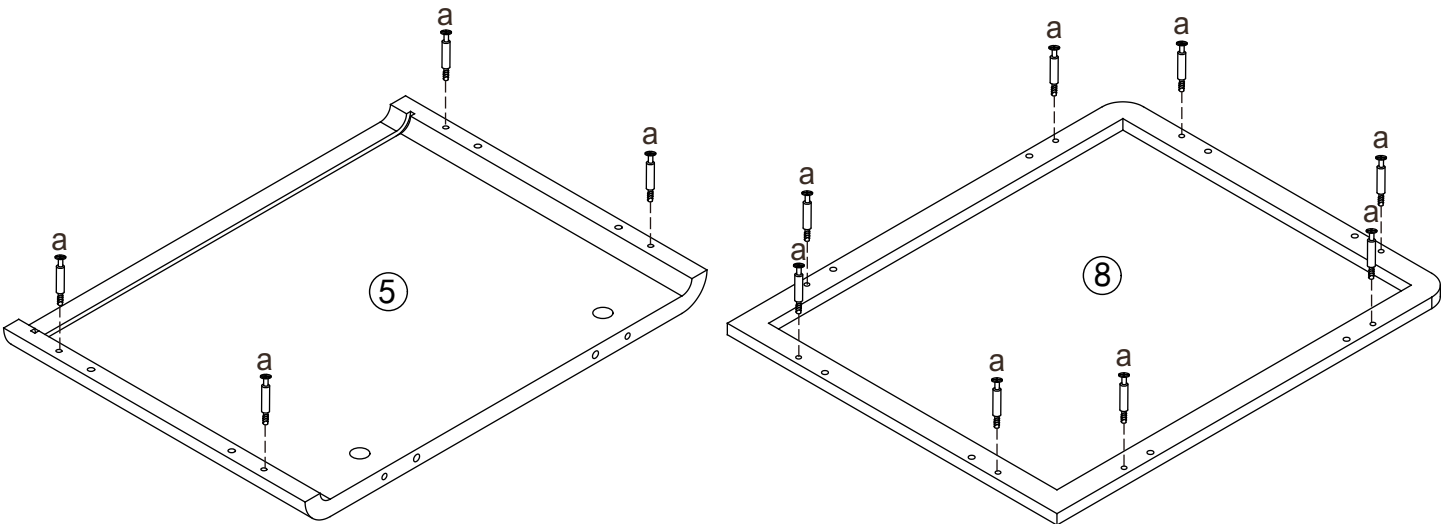
URBAN OUTFITTERS

## Assembly Instructions

### STEP 5



### STEP 6

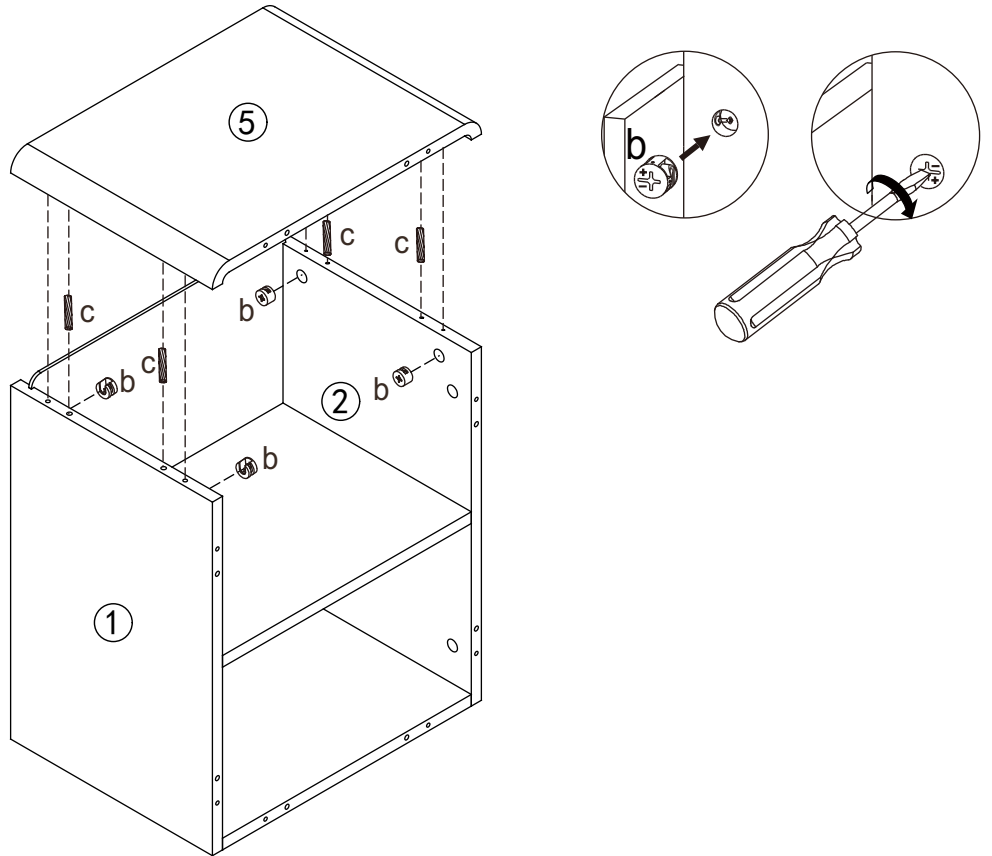


# BETTY SIDE TABLE

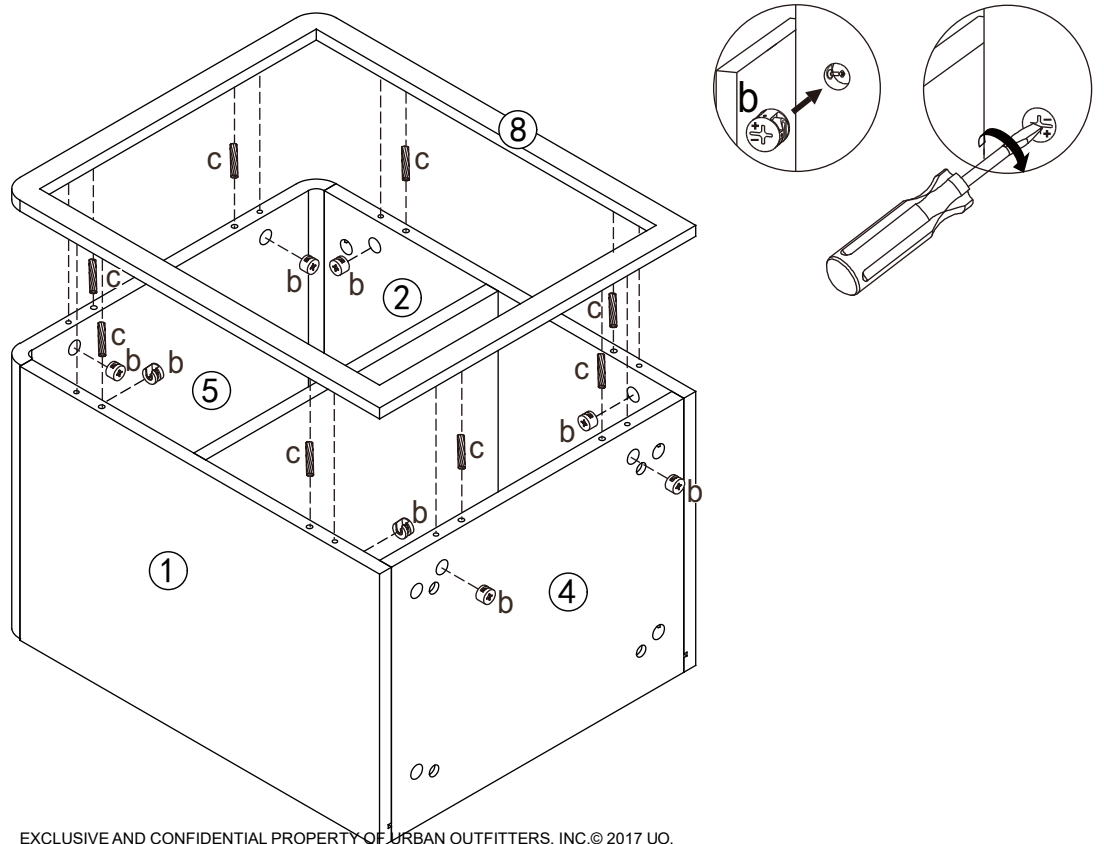
URBAN OUTFITTERS

Assembly Instructions

## STEP 7



## STEP 8

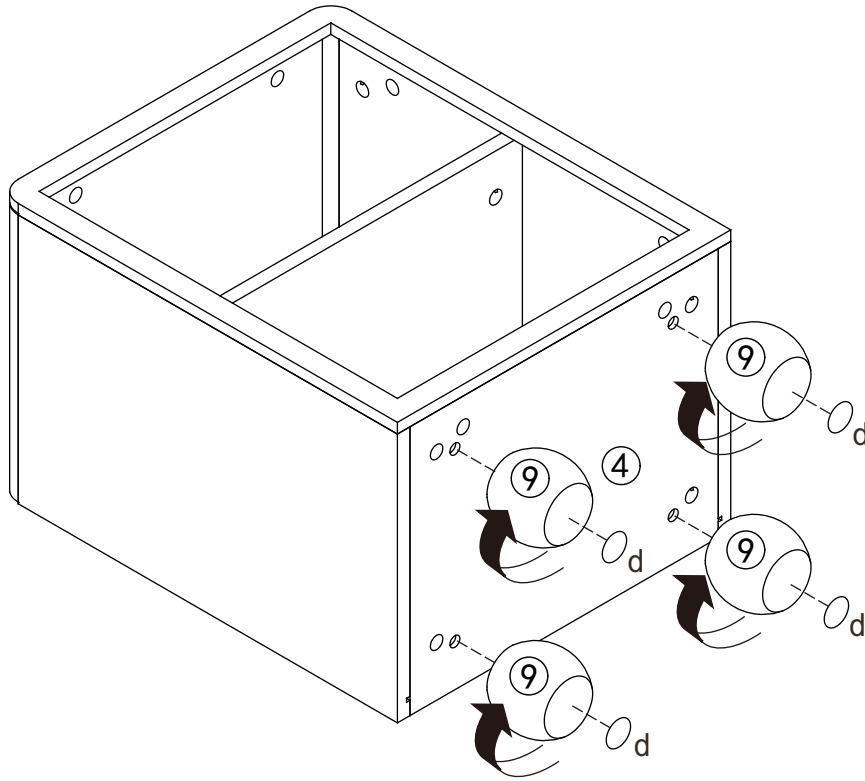


# BETTY SIDE TABLE

URBAN OUTFITTERS

## Assembly Instructions

### STEP 9



### STEP 10

