

Romie Nightstand

URBAN OUTFITTERS

Assembly Instructions

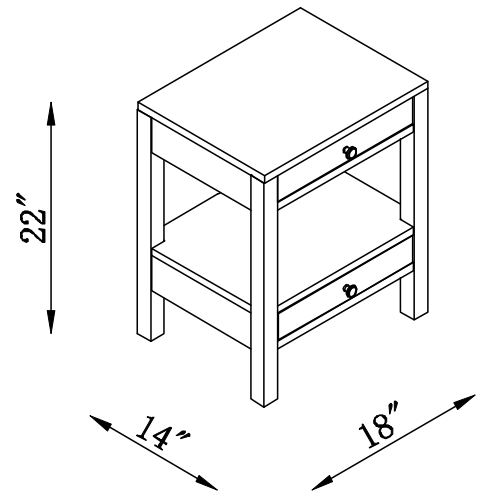
TOOLS REQUIRED BUT NOT INCLUDED:
Phillips head screwdriver

WARNINGS:

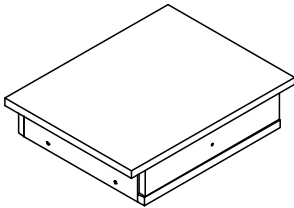
Do not discard packing materials and the carton until assembly is complete.
Ensure all parts are present prior to assembly.
Contact customer service immediately if any parts are missing.
Assemble all parts on a clean, smooth surface.

CARE INSTRUCTIONS:

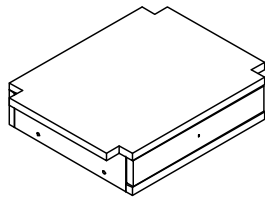
Avoid direct exposure to sunlight.
Blot spills with a clean, white cloth; do not rub.
Do not use harsh chemicals.
Before cleaning any part, test a small spot in a hidden area.
Do not place over heat or air conditioning vents.
Do not over-tighten the parts.
The parts may loosen after initial use; re-tighten as necessary.



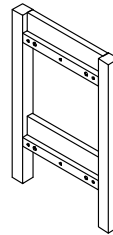
PARTS INCLUDED:



(A) Top drawer
x1



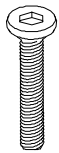
(B) Bottom drawer
x1



(C) Leg
x2



(D) Hex key
x1



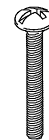
(E) Bolt
[1/4" x 1-1/8"] x8



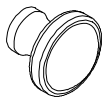
(F) Spring washer
[1/4"] x8



(G) Flat washer
[1/4"] x8



(H) Screw
[5/32" x 38mm] x2



(I) Knob
x2

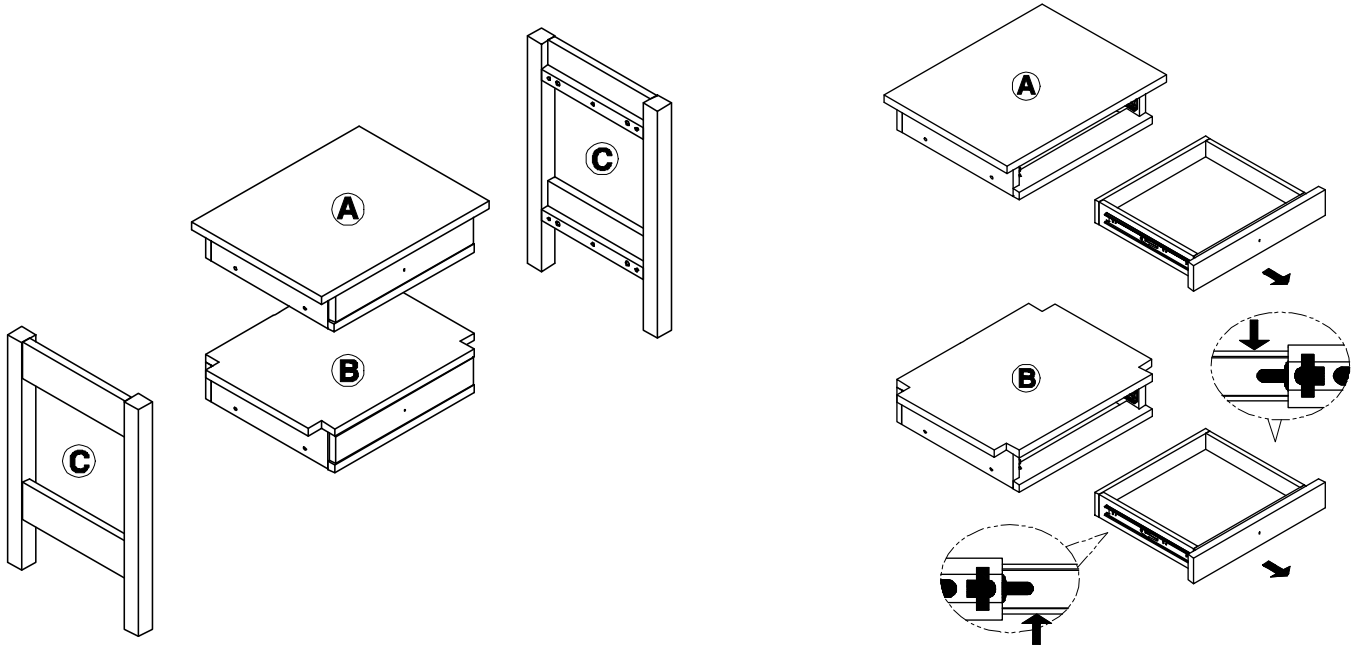
Romie Nightstand

Assembly Instructions

URBAN OUTFITTERS

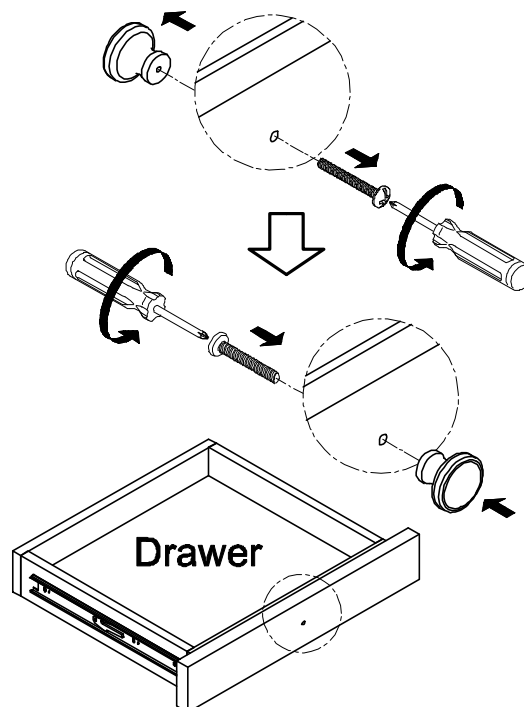
STEP 1

With help, lay the parts out onto a clean smooth surface such as carpet or cardboard. Open the drawers as far as they freely extend. Locate the plastic tabs in the center of the drawer guides on either side of the drawer. Press the tabs in opposite directions (up and down) as indicated to release the drawer guides, then carefully pull the drawer out of the cabinet.



STEP 2

Use a Phillips head screwdriver to unscrew the drawer pulls (I) attached to the inside of the drawers (A&B). Align the drawer pulls (I) to the holes in the front of the drawers and insert the screws (H) through the back. Tighten the screws (H) with a Phillips head screwdriver, do not over tighten.



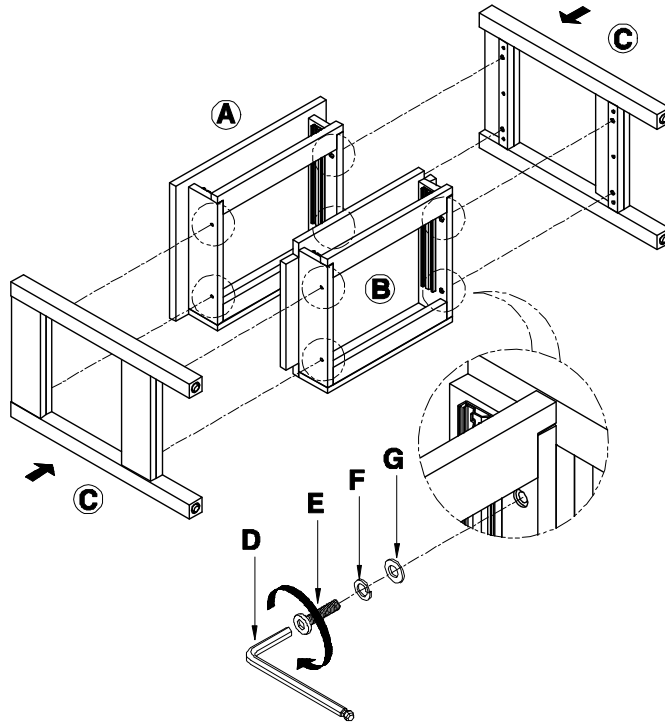
Romie Nightstand

Assembly Instructions

URBAN OUTFITTERS

STEP 3

Align the legs (C) to the drawers (A&B) and press firmly into place. Insert the flat washers (G), spring washers (F) and bolts (E) as shown. Tighten with supplied hex key (D), do not over tighten.



STEP 4

Carefully align the drawers with the guides and push them back into the Nightstand. Open and close the drawer until the slides click into place. Adjust the levelers as shown below to accommodate uneven floors.

