

Maverick Sconce

Assembly Instructions

URBAN OUTFITTERS

TOOLS REQUIRED BUT NOT INCLUDED:

Pencil, Drill, Screw driver, Level

WARNINGS:

Do not throw away packing materials and carton until after assembly.

Ensure all parts are present prior to assembly.

Contact customer service immediately if parts are missing.

Assemble all parts on a clean smooth surface.

Use a TYPE A 40W MAX BULB DO NOT EXCEED SPECIFIED WATTAGE

CARE INSTRUCTIONS:

Avoid direct exposure to sunlight.

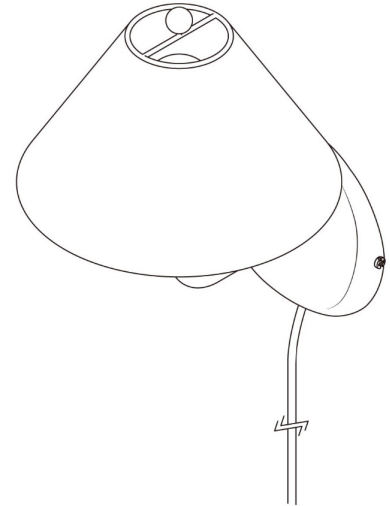
Do not place over heat or air conditioning vents. Adjust levelers so that the furniture sits flat on uneven floors.

Blot spills do not rub, with a clean white cloth.

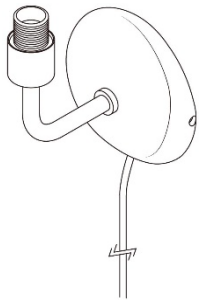
Do not use harsh chemicals.

Before cleaning any part test a small spot in a hidden area.

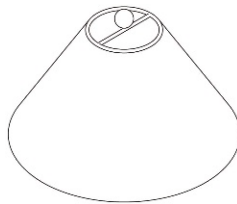
You may need to re-tighten all bolts after initial use.



PARTS INCLUDED:



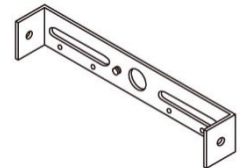
(A) Base



(B) Shade



(C) Socket ring



(D) Mounting Bracket



(E) Screw
[0.26" DIA X 0.79" L] x2



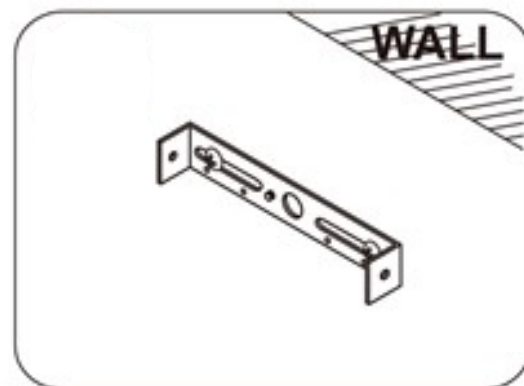
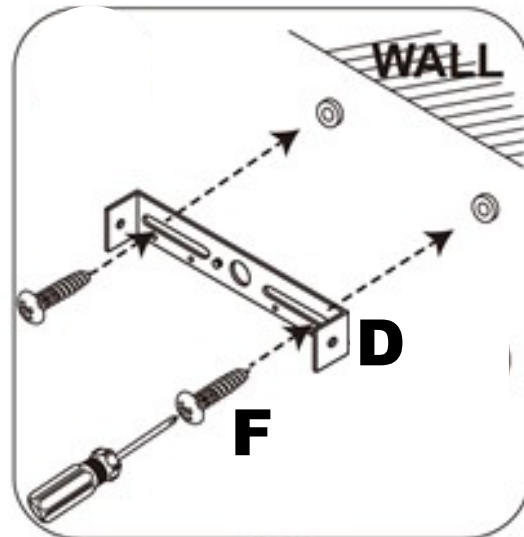
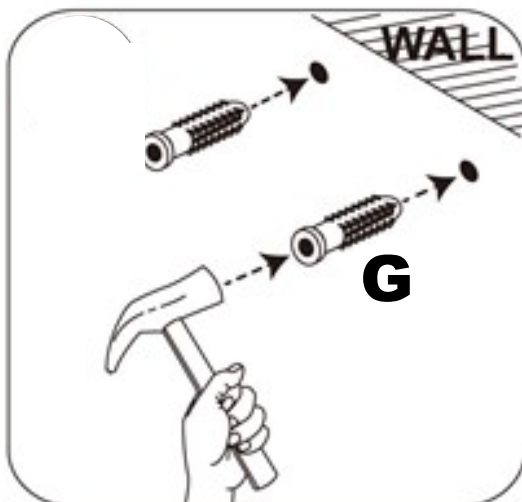
(F) Wall Screw
[0.30" DIA X 0.98" L] x2



(G) Wall Anchor
[0.31" DIA X 0.98" L] x2

STEP 1

- A) Locate the desired position of the sconce on the wall. Place the Mounting Bracket (D) on the wall and mark the location of the holes in the bracket on the wall.
- B) If attaching to drywall, Remove the Mounting Bracket (D) from the wall and pre-drill holes for the Wall anchors (G) with a drill and then insert the anchors.
- C) Place the Mounting Bracket (D) back over the wall anchors. Insert the Screws (F) and tighten with a Phillips head screw driver or a drill.
- D) If drilling into a stud, Place the Mounting Bracket (D) on the wall and insert Screws (F) through the bracket into the drywall. Tighten with a Phillips head screw driver or a drill.



Maverick Sconce

Assembly Instructions

URBAN OUTFITTERS

STEP 2

Place the Base (A) over the Mounting Bracket (D) as shown. Insert the Screws (E) and tighten with a Phillips head screw driver. Screw a Type A 40W bulb into the Base (A). Plug in the sconce to complete assembly.

