

Callan Media Unit

Assembly Instructions

URBAN OUTFITTERS

TOOLS REQUIRED BUT NOT INCLUDED:

Drill, Phillips head screwdriver, Hammer, Pencil

WARNINGS:

Do not discard packing materials and carton until assembly is complete.

Ensure all parts are present prior to assembly.

Contact customer service immediately if any parts are missing.

Assemble all parts on a clean, smooth surface.

CARE INSTRUCTIONS:

Avoid direct exposure to sunlight.

Blot spills with a clean, white cloth; do not rub.

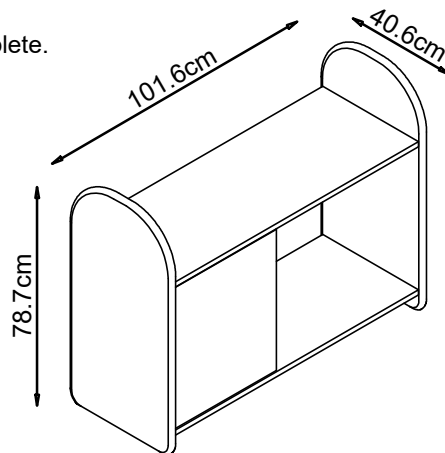
Do not use harsh chemicals.

Before cleaning any part, test a small spot in a hidden area.

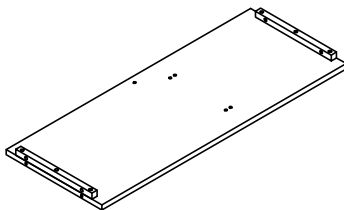
Do not place over heat or air conditioning events.

Do not over-tighten the parts.

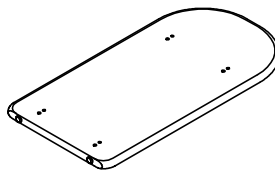
The parts may loosen after initial use; re-tighten as necessary.



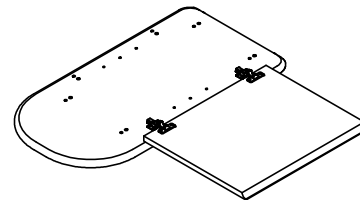
PARTS INCLUDED:



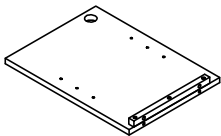
1) Top Panel x 1



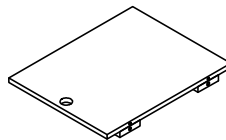
2) Left Side x 1



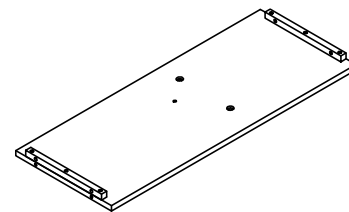
3) Right Side x 1



4) Divider x 1



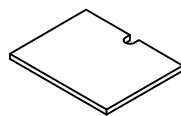
5) Back x 1



6) Bottom x 1



7) Support Leg x 1



8) Shelf x 1



A) Bolt
(M $\square\square\square$ x 1.38") x 16
or
(M \square x 35 mm)



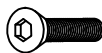
B) Spring Washer
(D 0.47 / 0.24 x 0.08") x 17
or
(D 12 / 6 x 2 mm)



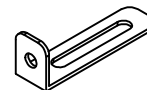
C) Flat Washer
(D 0.63 / 0.24 x 0.08") x 18
or
(D 16 / 6 x 2 mm)



D) Allen Key
(D 0.16 x 2.32") x 1
or
(D 4 x 59 mm)



E) Bolt
(M $\square\square\square$ x 0.59") x 1
or
(M \square x 15 mm)



F) L Shaped Metal
(2.95 x 0.79 x 0.08") x 1
or
(75 x 20 x 2 mm)



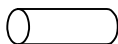
G) Plastic Anchor
(D 0.35 x 1.38") x 1
or
(D 9 x 35 mm)



H) Screw
(M 0.16 x 1.38") x 1
or
(M 4 x 35 mm)



I) Shelf Pin
(D 0.24 x 1.18") x 4
or
(D 6 x 30 mm)



J) Dowel
(D 0.32 x 1.18") x 16
or
(D 8 x 30 mm)

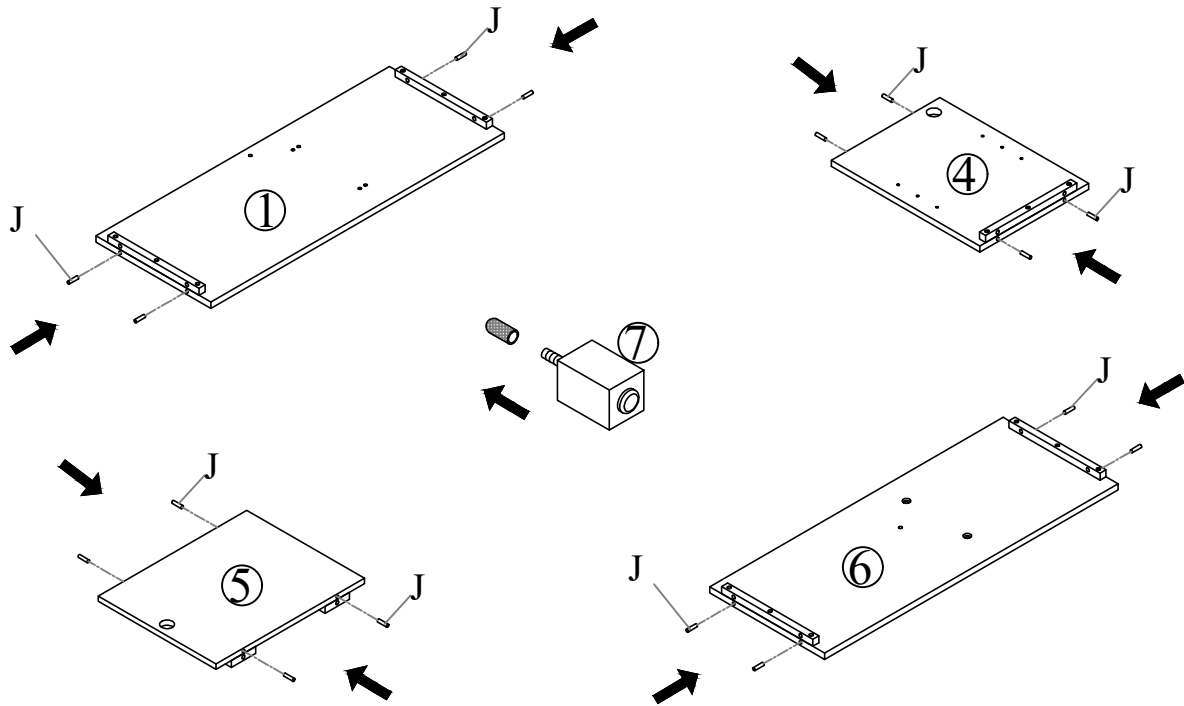
Callan Media Unit

Assembly Instructions

URBAN OUTFITTERS

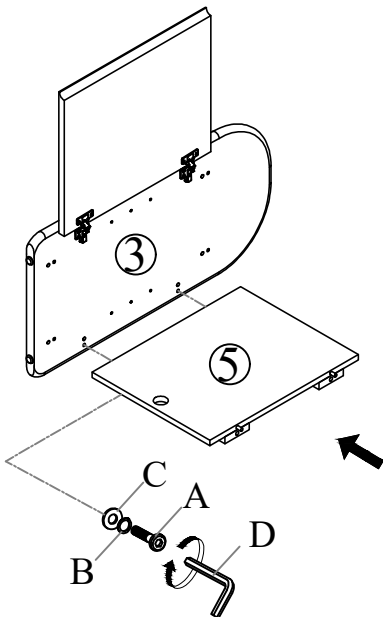
STEP 1

Insert all Dowels (J) to the Top Panel (1), the Divider (4), the Back (5) and the Bottom (6) as shown.
Remove the Cover from the Support Leg (7) as shown.



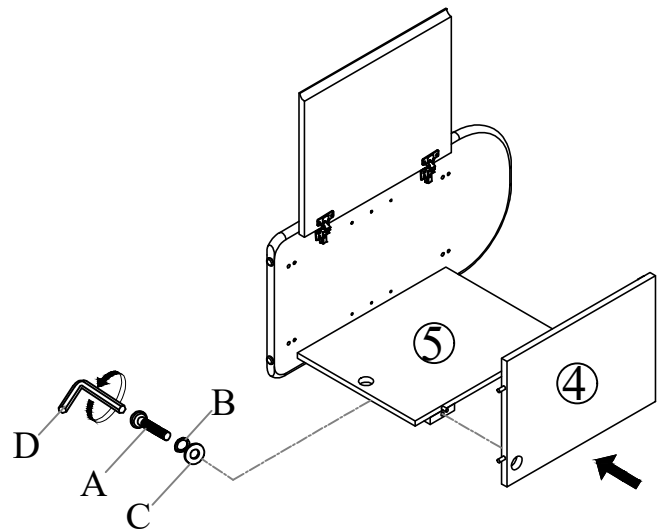
STEP 2

Attach the Back (5) to the Right Side (3) with Bolts (A), Spring Washers (B), Flat Washers (C), using Allen Key (D) as shown.



STEP 3

Attach the Divider (4) to the Back (5) with Bolts (A), Spring Washers (B), Flat Washers (C), using Allen Key (D) as shown.



Callan Media Unit

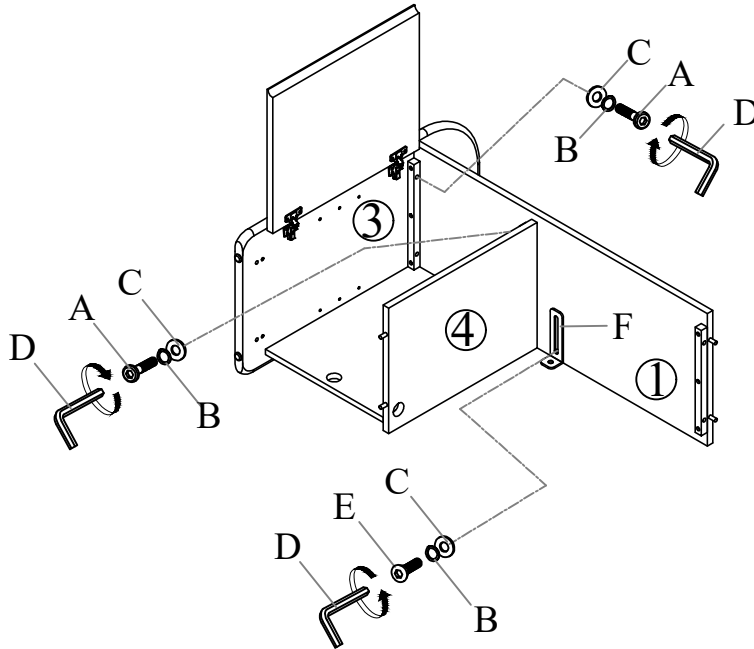
URBAN OUTFITTERS

Assembly Instructions

STEP 4

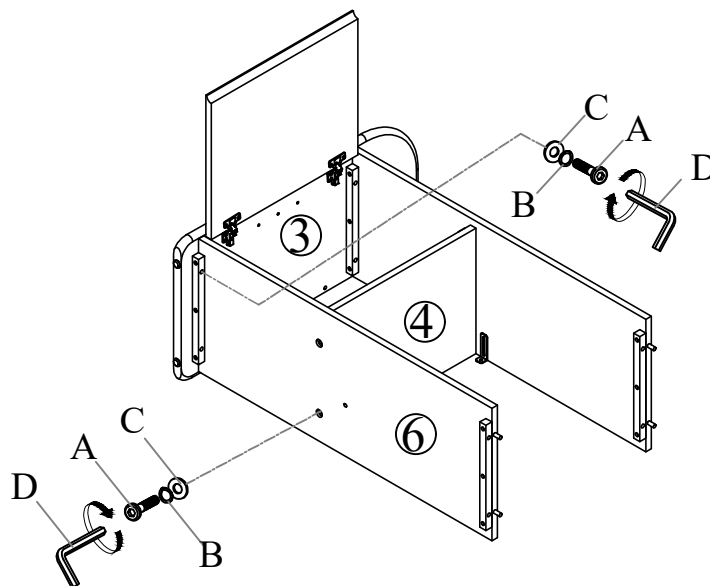
Attach the Top Panel (1) to the Right Side (3) and the Divider (4) with Bolts (A), Spring Washers (B), Flat Washers (C), using Allen Key (D) as shown.

Attach the L Shaped Metal (F) to the Top Panel (1) with Bolts (E), Spring Washers (B), Flat Washers (C), using Allen Key (D) as shown.



STEP 5

Attach the Bottom (6) to the Right Side (3) and the Divider (4) with Bolts (A), Spring Washers (B), Flat Washers (C), using Allen Key (D) as shown.



Callan Media Unit

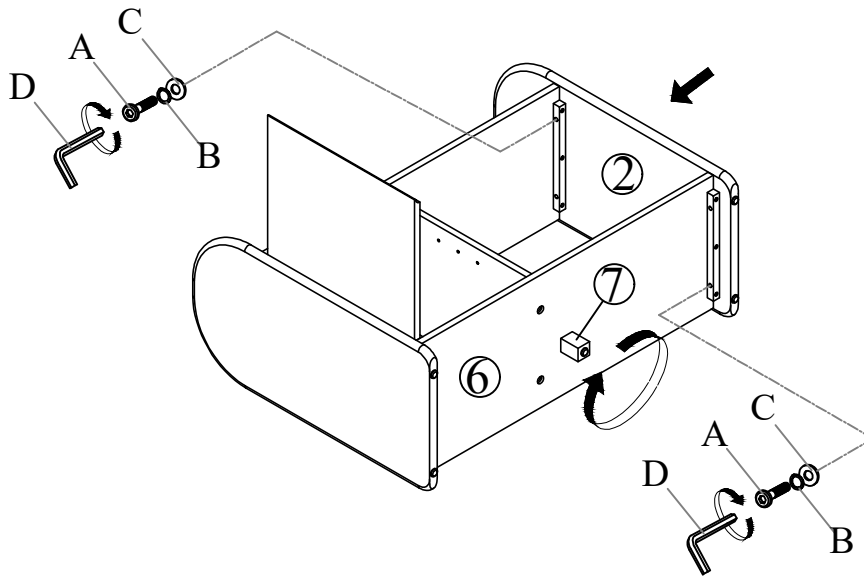
Assembly Instructions

URBAN OUTFITTERS

STEP 6

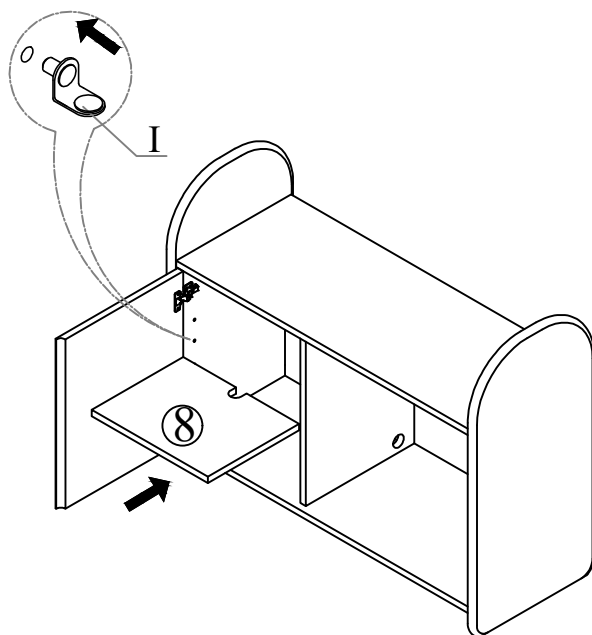
Attach the Left Side (2) to the Top Panel (1) and the Bottom (6) with Bolts (A), Spring Washers (B), Flat Washers (C), using Allen Key (D) as shown.

Attach the Support Leg (7) to the Bottom (6) as shown.



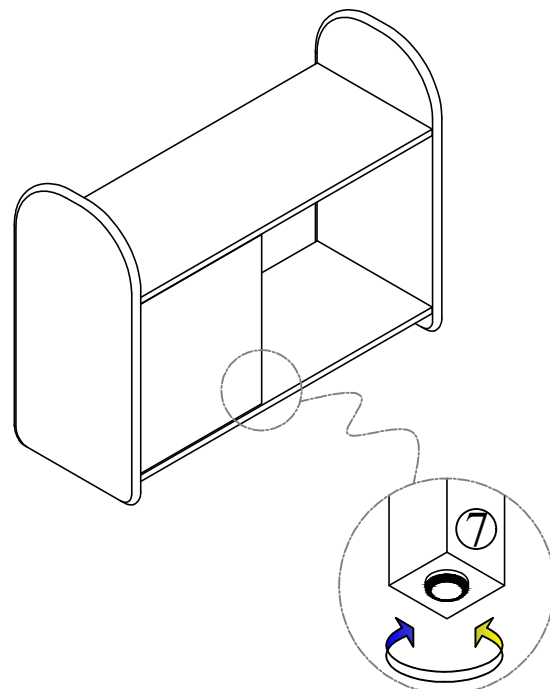
STEP 7

Insert the Shelf Supports (I)
Attach the Shelf (8) as shown.



STEP 8

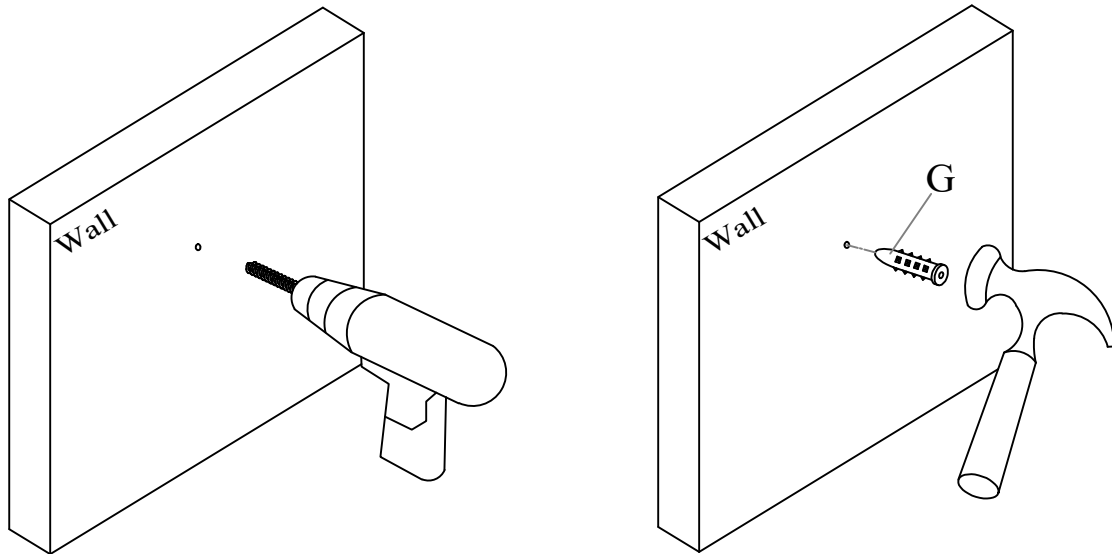
Adjust the Leveler of the Support Leg (7) to accommodate uneven floors.



STEP 9

Place the furniture on the wall in its desired location. Ensure the furniture is level and mark the location of the mounting hole in the L shaped metal (F) on the wall. Pre-drill hole for the anchor (G) at the marked hole location using a drill and use a hammer to tap it into the wall. **If attaching directly to studs, you do not need to install the plastic Anchor (G).**

The included hardware is intended for attachment to drywall or wooden wall surfaces, contact your local hardware store to find the correct anchor for alternative wall-types such as stone or brick.



STEP 10

Place the furniture back over the Plastic Anchor (G) and insert Screw (H) with Flat Washer (C) as shown. Tighten with a Screwdriver to complete the installation.

