

# Maura Vanity

## Assembly Instructions

**URBAN OUTFITTERS**

### TOOLS REQUIRED BUT NOT INCLUDED:

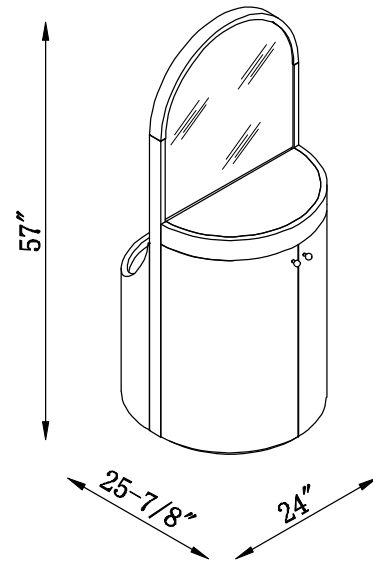
Phillips head screwdriver

### WARNINGS:

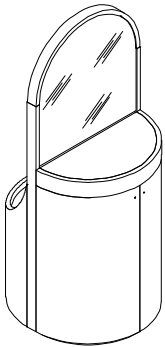
Do not throw away packing materials and carton until after assembly.  
Ensure all parts are present prior to assembly.  
Contact customer service immediately if parts are missing.  
Assemble all parts on a clean smooth surface.

### CARE INSTRUCTIONS:

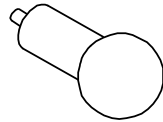
Avoid direct exposure to sunlight.  
Do not place over heat or air conditioning vents.  
Adjust levelers so that the furniture sits flat on uneven floors.  
Blot spills with a clean white cloth, do not rub.  
Do not use harsh chemicals.  
Before cleaning any part test a small spot in a hidden area.  
You may need to re-tighten all bolts after initial use.



### PARTS INCLUDED:



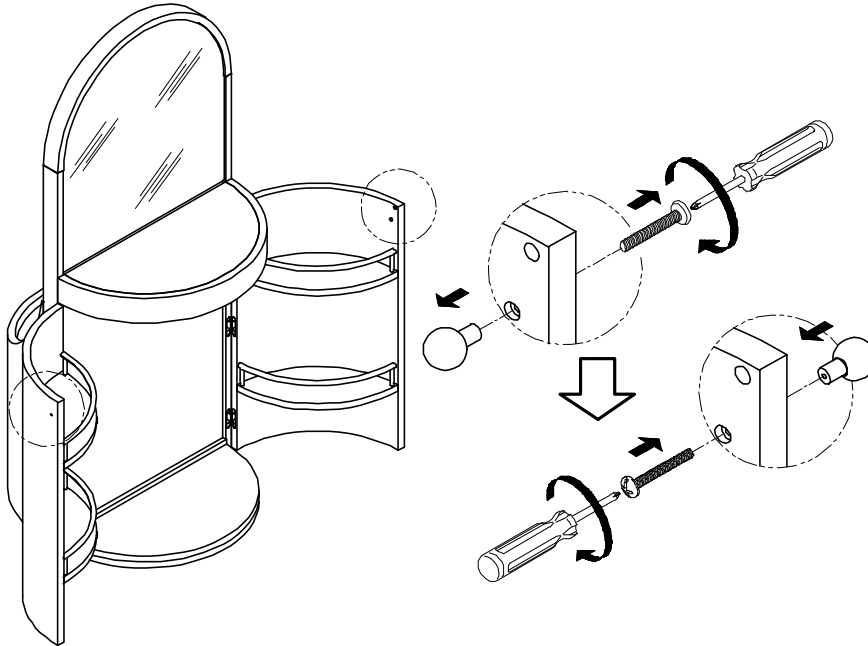
(A) Vanity  
x1



(B) Hook  
x5

## STEP 1

Use a Phillips head screwdriver to unscrew the screw attach to the inside of the doors. Align the drawer pull to the hole in the front of the doors and insert the original screw through the back. Tighten with a Phillips Head Screwdriver.



## STEP 2

Screw the hooks (B) into the Vanity (A) clockwise until tight as shown below.

