

SILAS BOOK SHELF

Assembly Instructions

URBAN OUTFITTERS

TOOLS REQUIRED BUT NOT INCLUDED:

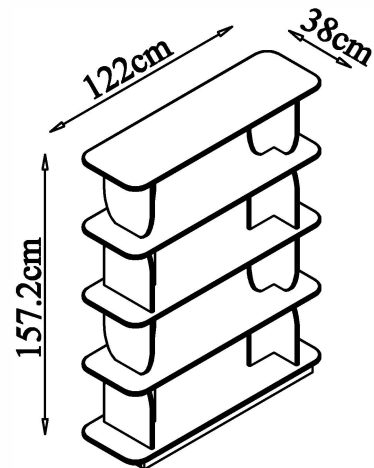
Screwdriver, Drill, Hammer, Level

WARNINGS:

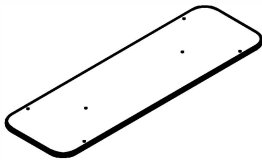
Do not throw away packing materials and carton until after assembly. Assemble all parts on a clean smooth surface

CARE INSTRUCTIONS:

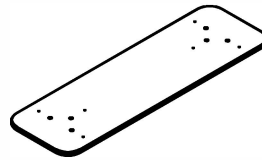
Avoid direct exposure to sunlight. Do not place overheat or air conditioning vents. Adjust levelers so that the furniture sits flat on uneven floors. Blot spills do not rub, with a clean white cloth. Do not use harsh chemicals. Before cleaning any part test a small spot in a hidden area. You may need to re-tighten all bolts after initial use.



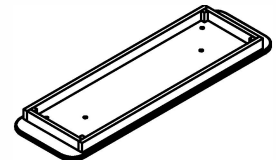
PARTS INCLUDED:



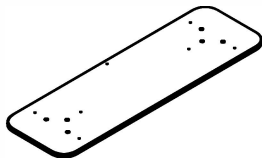
1) Top Panel
(48x15x0.7") x1
or
(122x38x1.8cm)



2) Shelf
(48x15x0.7") x2
or
(122x38x1.8cm)



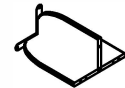
3) Bottom
(48x15x2.7") x1
or
(122x38x6.8cm)



4) Middle Shelf
(48x15x0.7") x1
or
(122x38x1.8cm)



5) Leg
(14x12x7") x4 1
or
(35.5 x 20.5 x 17cm)



6) Leg
(14x12x7") x4
or
(35.5x20.5x17cm)



A) Bolt
(D0.47/0.24x1.18") x24
or
(D12/6x30mm)



B) Spring Washer
(D0.47/0.24x0.08") x25
or
(D12x6x2mm)



C) Flat Washer
(D0.63/0.24x0.08") x26
or
(D16x6x2mm)



D) AllenKey
(D0.16 X 2.32") x1
or
(D4x59mm)



E) Bolt
(D0.47/0.24 X 0.59") x25
or
(D12/6x15mm)



F) L Shaped Metal
(2.76 X 0.7 9 X 0.08") x1
or
(70x20x2mm)



G) Plastic Anchor (D
0.35X 1.38") x1
or
(D9x35mm)



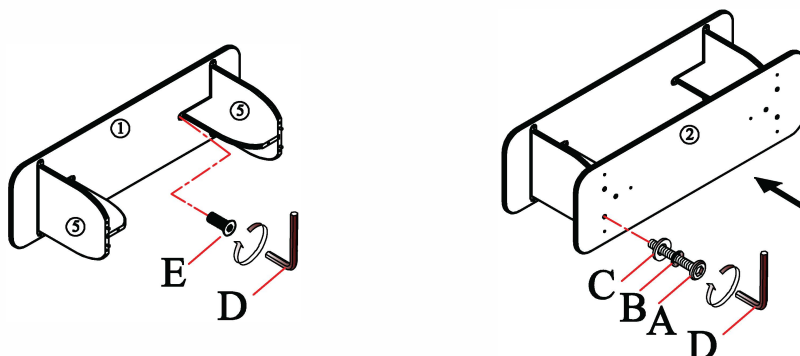
H) Screw
(D0.16 X 1.18") x1
or
(D4x30mm)

Assembly Instructions

STEP 1

A) Attach the top panel (1) to two legs (5) with bolt (E) and Allen key (D) as shown.

B) Attach one shelf (2) with bolts (A), flat washers (C), and spring washers (B) using Allen key (D) as shown.



STEP 3

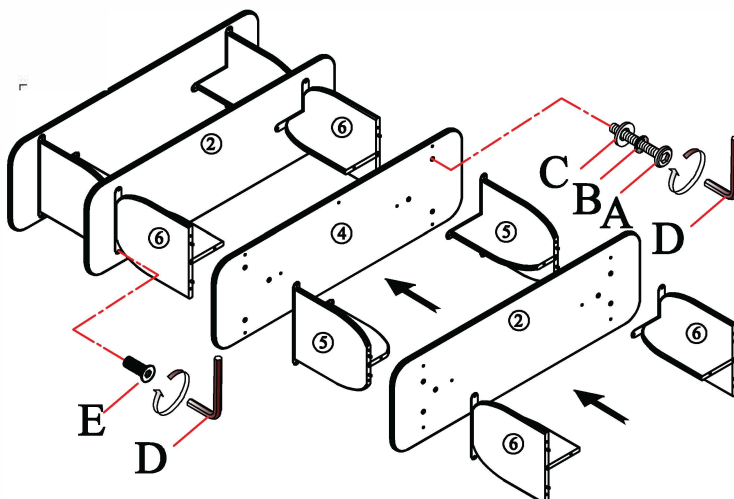
A) Attach two legs (6) to the shelf (2) with bolt (E) and Allen key (D) as shown.

B) Attach the middle shelf (4) with bolts (A), flat washers (C), and spring washers (B) using Allen key (D) as shown.

C) Repeat STEP 3 (A) **using two legs (5)** instead of legs (6).

D) Repeat STEP 1 (B) using the last shelf (2).

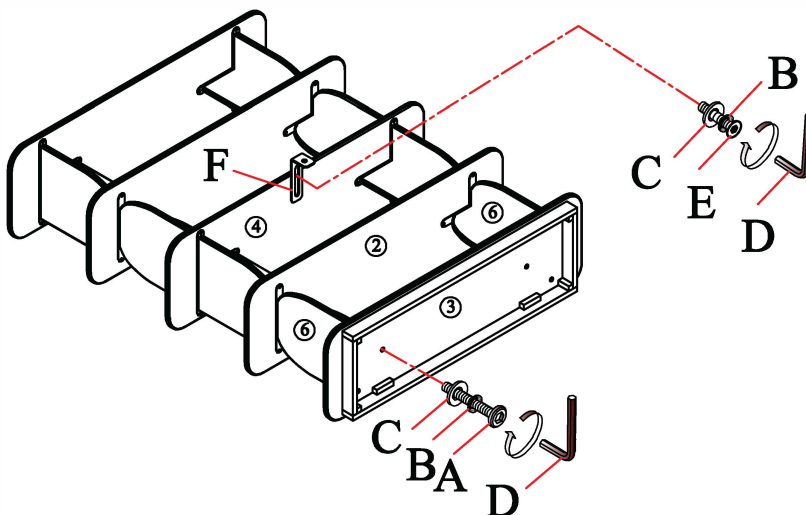
E) Repeat STEP 3 (A) using the last two legs (6).



STEP 4

Attach the bottom (3) with bolts (A), flat washers (C), and spring washers (B) using Allen key (D) as shown. Then

attach the L shaped metal bracket (F) to the middle shelf (4) with bolts (E), flat washers (C), and spring washers (B) using Allen key (D) as shown.



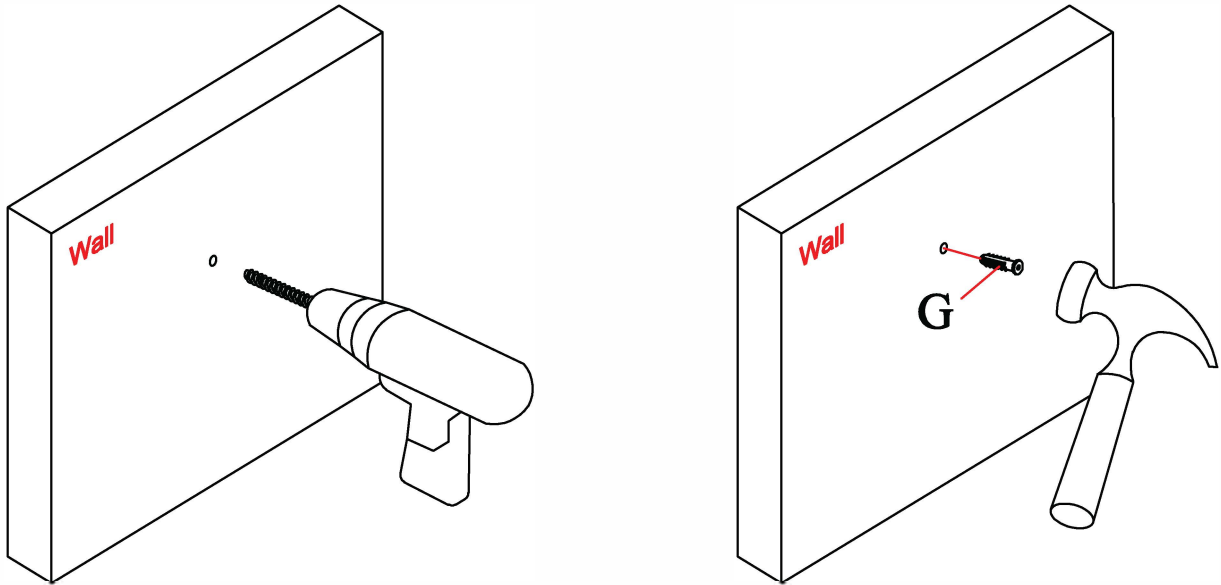
SILAS BOOK SHELF

URBAN OUTFITTERS

Assembly Instructions

STEP 5

Place the book shelf on the wall in its desired location. Ensure the book shelf is level and mark the location of the mounting hole in the L shaped metal on the wall. Pre-drill hole for the plastic anchor (G) at the marked hole location using a drill and use a hammer to tap it into the wall.



STEP 6

Place the shelf back over the plastic anchor (G) and insert screw (H) as shown. Tighten with a screwdriver to complete the installation. If attaching directly to a stud, you do not need to use the plastic anchors, screw through the bracket directly into the wall.

