

# LUCIE CONSOLE

## Assembly Instructions

URBAN OUTFITTERS

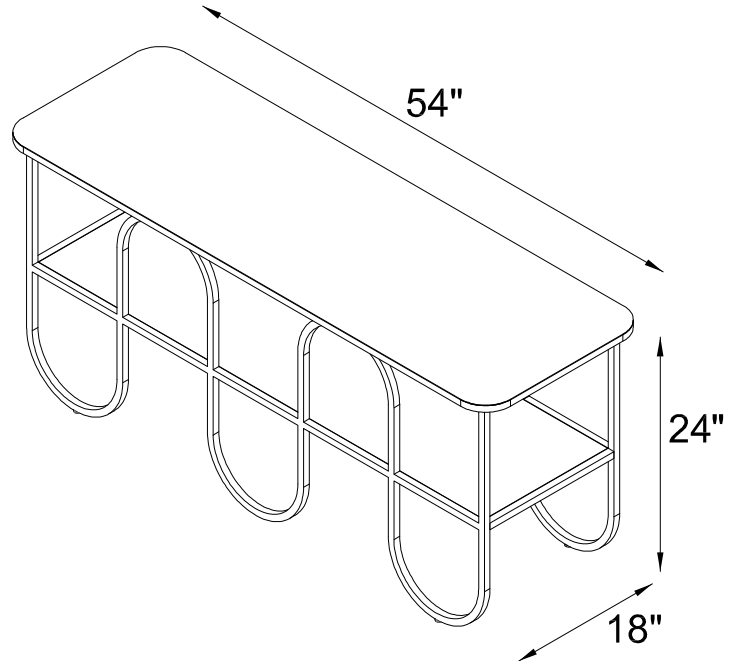
NO ADDITIONAL TOOLS REQUIRED

### WARNINGS:

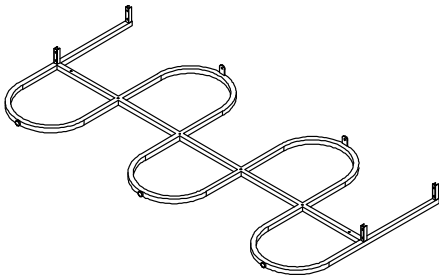
At least two people recommended for assembly  
Do not throw away packing materials and carton until after assembly.  
Ensure all parts are present prior to assembly.  
Contact customer service immediately if parts are missing.  
Assemble all parts on a clean smooth surface  
Do not drag the table while moving.

### CARE INSTRUCTIONS:

Avoid direct exposure to sunlight.  
Do not place overheat or air conditioning vents.  
Adjust levelers so that the furniture sits flat on uneven floors.  
Blot spills with a clean white cloth, do not rub.  
Do not use harsh chemicals.  
Before cleaning any part test a small spot in a hidden area.  
You may need to re-tighten all bolts after initial use.



## PARTS INCLUDED



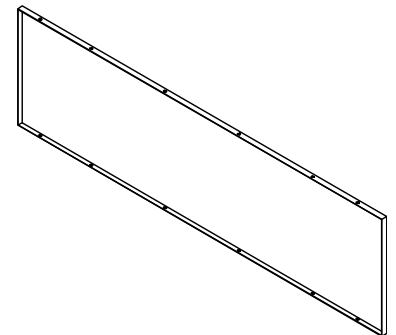
A) Metal Frame x 2



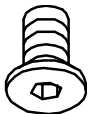
B) Cross Rails x 2



C) Cross Rails x2



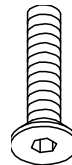
D) Bottom Shelf



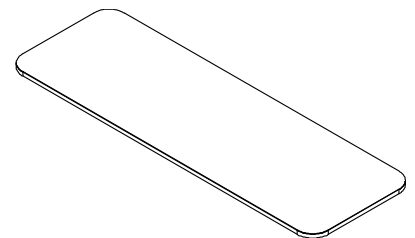
E) Bolt [M5x10mm] x 28



F) Bolt [M6xL28mm] x 4



G) Bolt [M6xL28mm] x 4



H) Top Shelf



I) Adjustable Levelers x 4



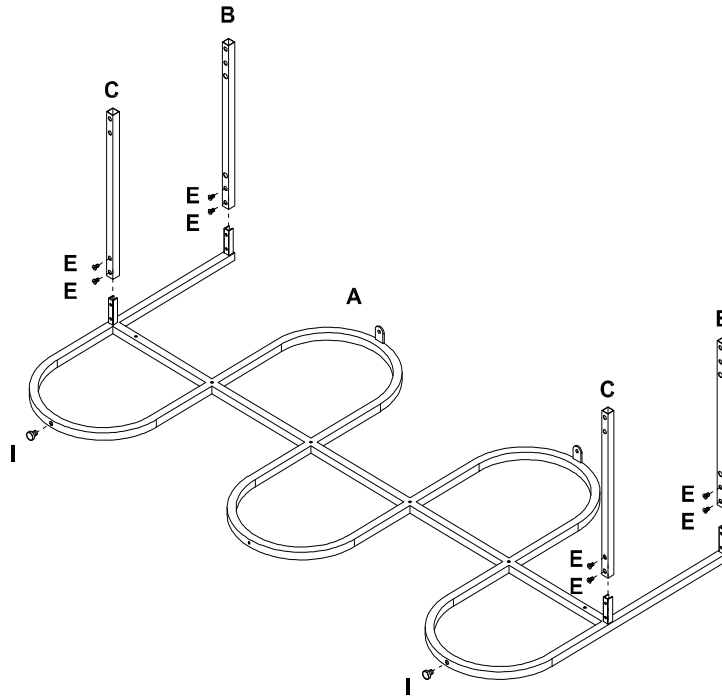
J) Allen Key (3mm)



K) Allen Key (4mm)

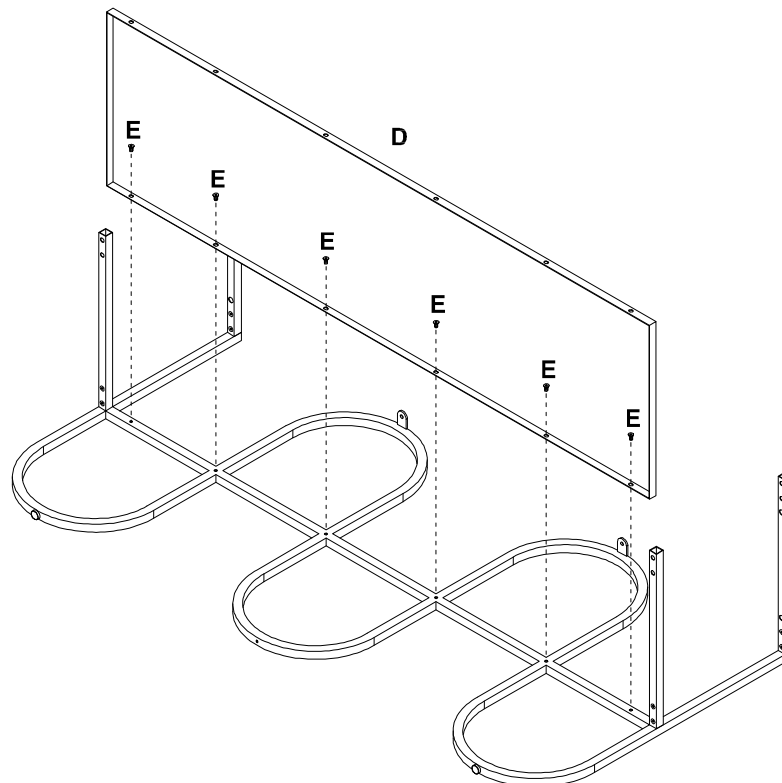
### STEP 1

Lay down all the parts on a clean carpet or cardboard for assembly. Remove plastic protective caps from metal frames (A). Align metal frame (A) with cross rails (B) & (C) and insert bolts (E) as shown. Partially tighten bolts (E) with Allen key (J). Once all bolts are inserted and partially tightened, fully tighten the bolts. Screw adjustable levelers (I) into metal frame (A) as shown.



### STEP 2

Align bottom shelf (D) with metal frame (A) and insert bolts (E) as shown. Partially tighten bolts (E) with Allen key (J). Once all bolts are inserted and partially tightened, fully tighten the bolts.



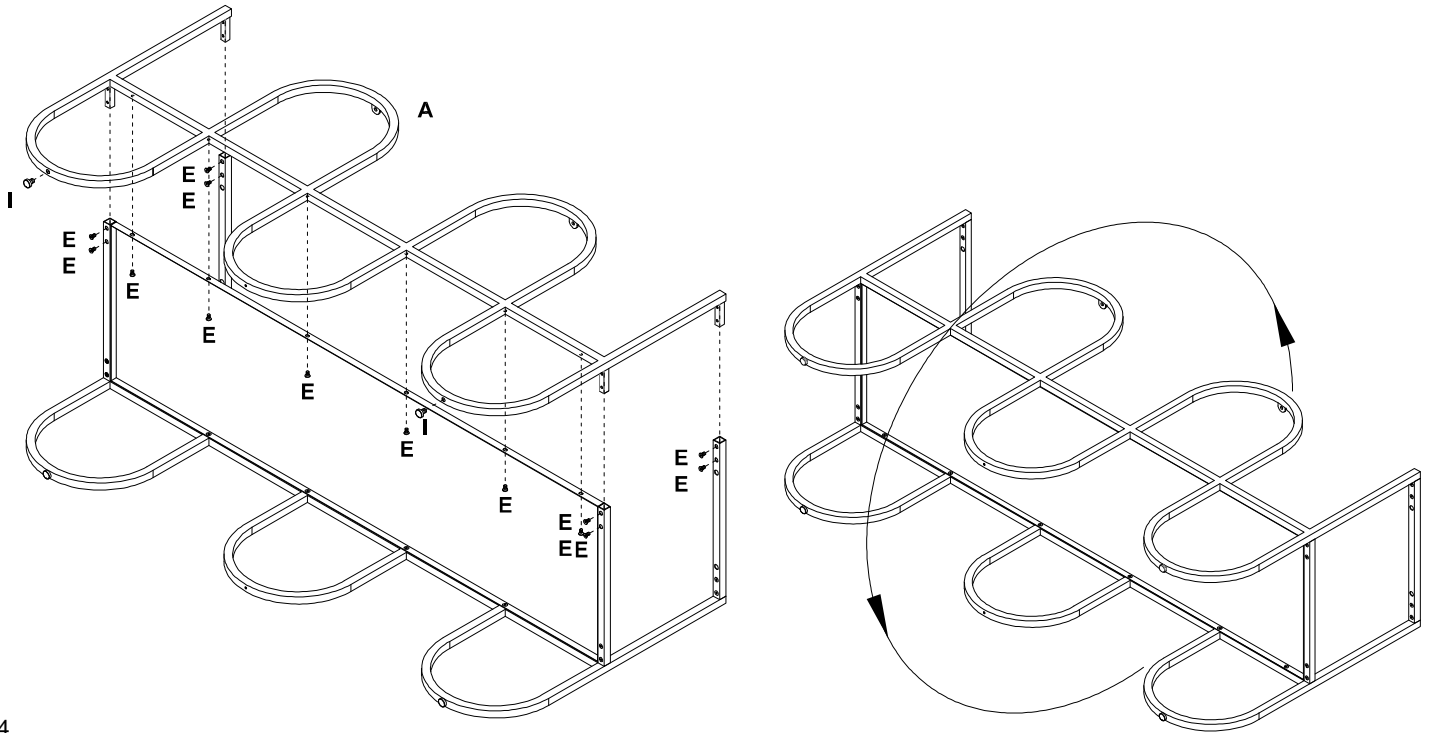
# LUCIE CONSOLE

## Assembly Instructions

URBAN OUTFITTERS

### STEP 3

Attach the second metal frame (A) to the partially assembled shelf and insert bolts (E) as shown. Partially tighten bolts (E) with Allen key (J). Once all bolts are inserted and partially tightened, fully tighten the bolts. Screw adjustable levelers (I) into metal frame (A) as shown. With help, flip the console upright.



### STEP 4

Align top shelf (H) with the partially assembled shelf and insert bolts (F) & (G) as shown. Partially tighten bolts (F) & (G) with Allen keys (J) & (K). Once all bolts are inserted and partially tightened, fully tighten the bolts. Adjust the levelers as necessary to accommodate uneven floors.

